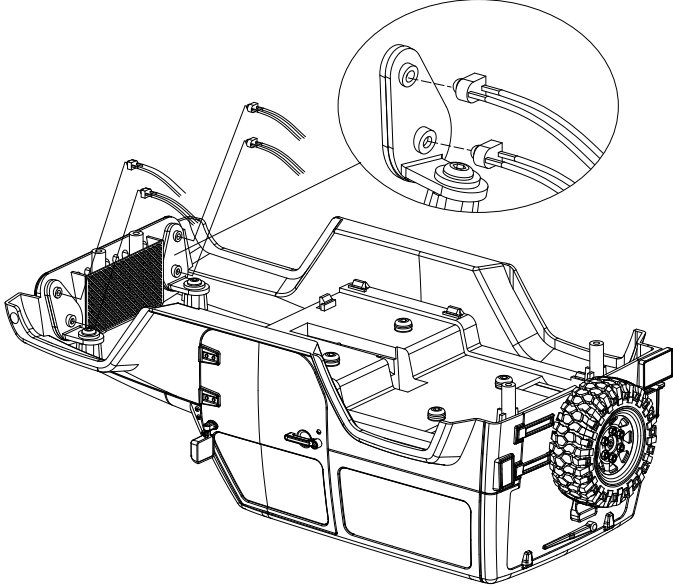




# LED Light Kit for 1/18 Black Rock Body

## Step 1.

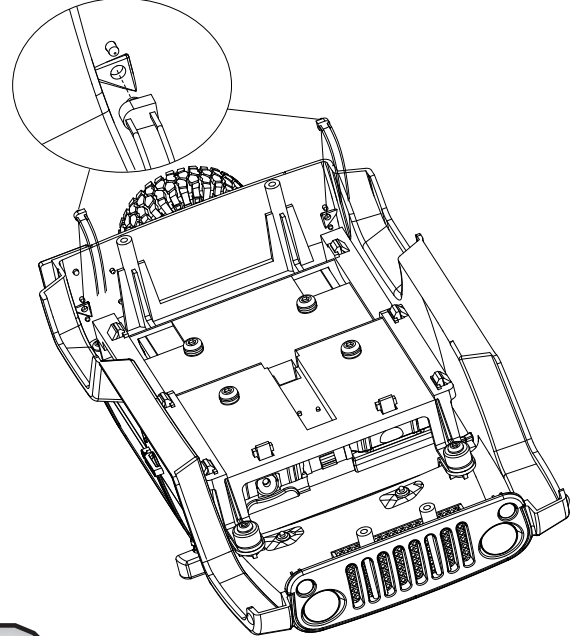
Insert LEDs into hole. Use a small drop of hot glue or Shoe Goo to secure in place.



For best results use Hot Glue or Shoe-Goo

## Step 2.

Insert LEDs into hole. Use a small drop of hot glue or Shoe Goo to secure in place.



For best results use Hot Glue or Shoe-Goo

## Step 3.

Take care to secure your wires to the underside of the body using hot glue or Shoe Goo.

