

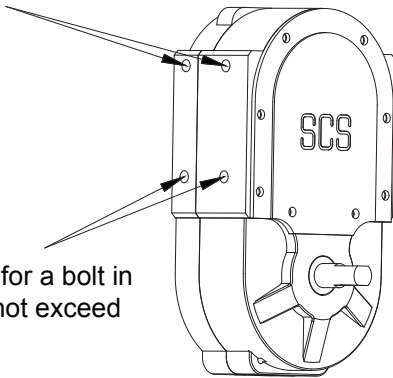


RC4WD SCS Gearbox Monster Drop Transmission

Step 1.

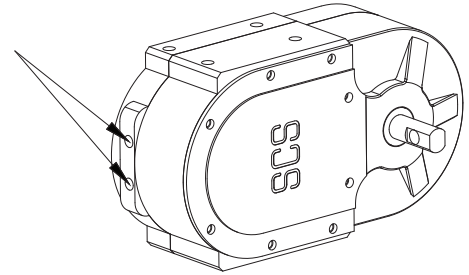
Maximum depth for a bolt in these holes cannot exceed 4.5mm

Maximum depth for a bolt in these holes cannot exceed 3.0mm



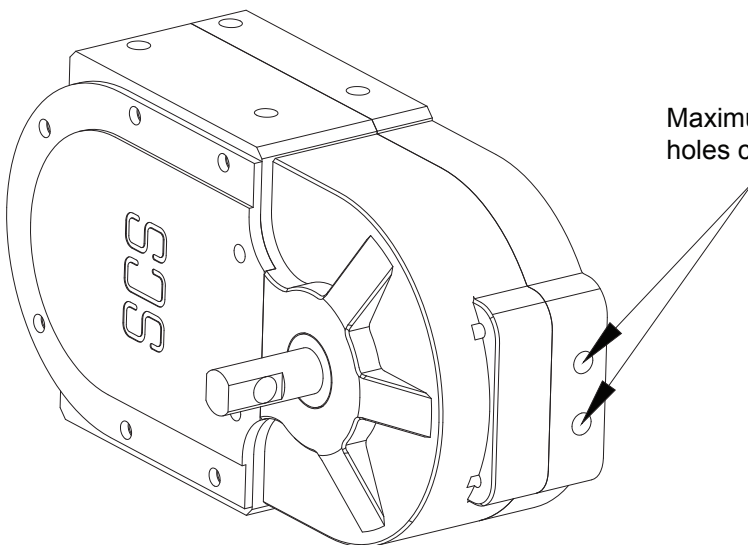
Step 2.

Maximum depth for a bolt in these holes cannot exceed 4.5mm



Step 3.

Maximum depth for a bolt in these holes cannot exceed 4.5mm



WARNING: Installing with bolts of the incorrect length may result in damaging the gears inside the transmission.