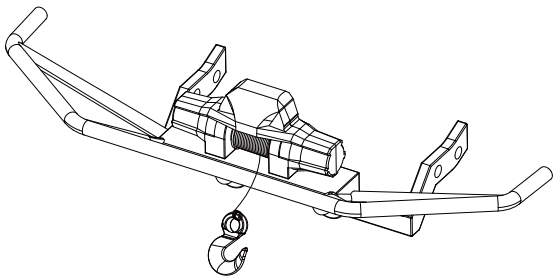


**RC4WD**



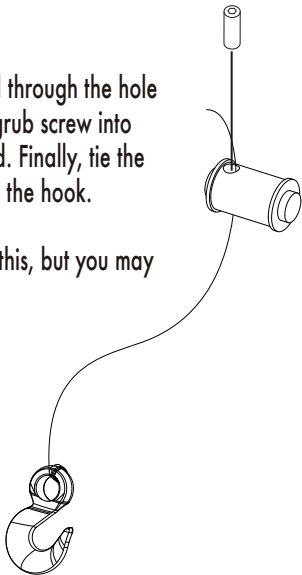
**RC4WD Warn 1/24 Zeon 10  
Non-Functional Winch Model Kit**

***INSTRUCTION MANUAL***



Step 1: Insert the long thread through the hole of the spool, then install the grub screw into the hole to fix the long thread. Finally, tie the opposite end of the thread to the hook.

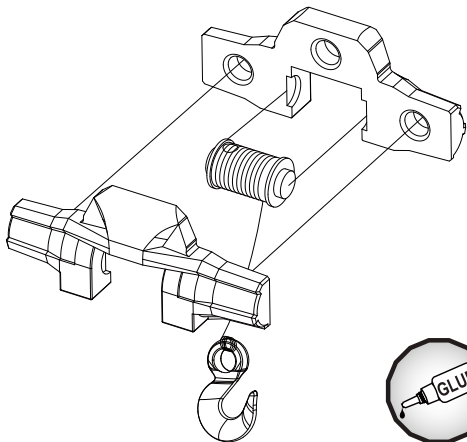
Glue can also be used to do this, but you may risk making a mess.



**REWARD**



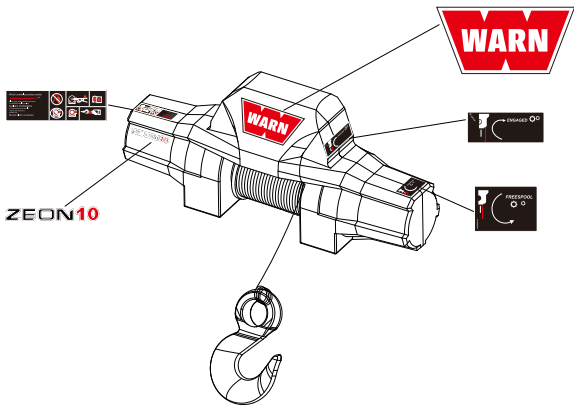
Step 2: Place the spool into the winch. Glue can be used to fix the winch into place.



**RC4WD**



Step 3: Paste decals onto their designated spots on the winch.

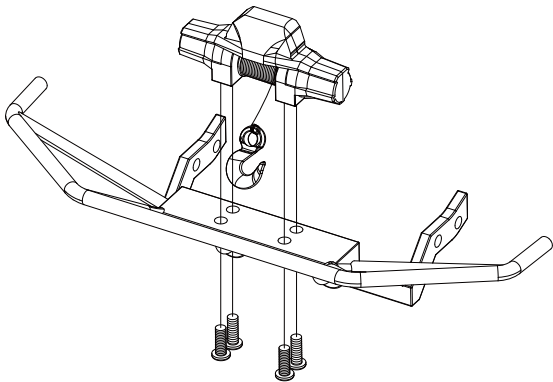


\* Due to the small parts of the winch you may have a small gap between the halves.  
Dry fit the parts before gluing to determine if fitment will be good.





Step 4: Place the winch on the front bumper and secure it with the M1.4 screws and a Phillips screwdriver.



**REWARD**



[www.rc4wd.com](http://www.rc4wd.com)



720 N. Gateway St.  
Visalia, CA93291  
[www.RC4WD.com](http://www.RC4WD.com)  
[support@rc4wd.com](mailto:support@rc4wd.com)

100-0102