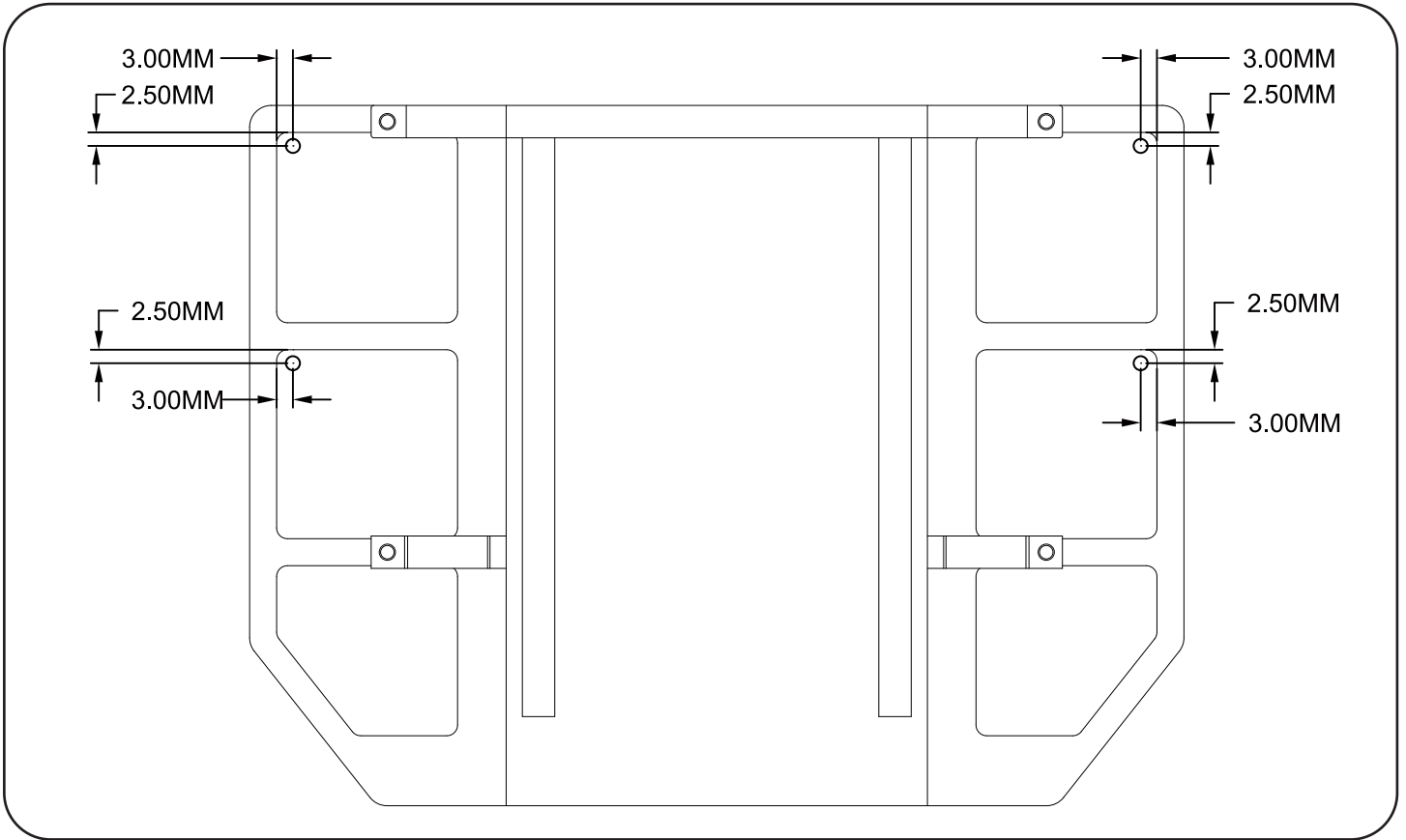


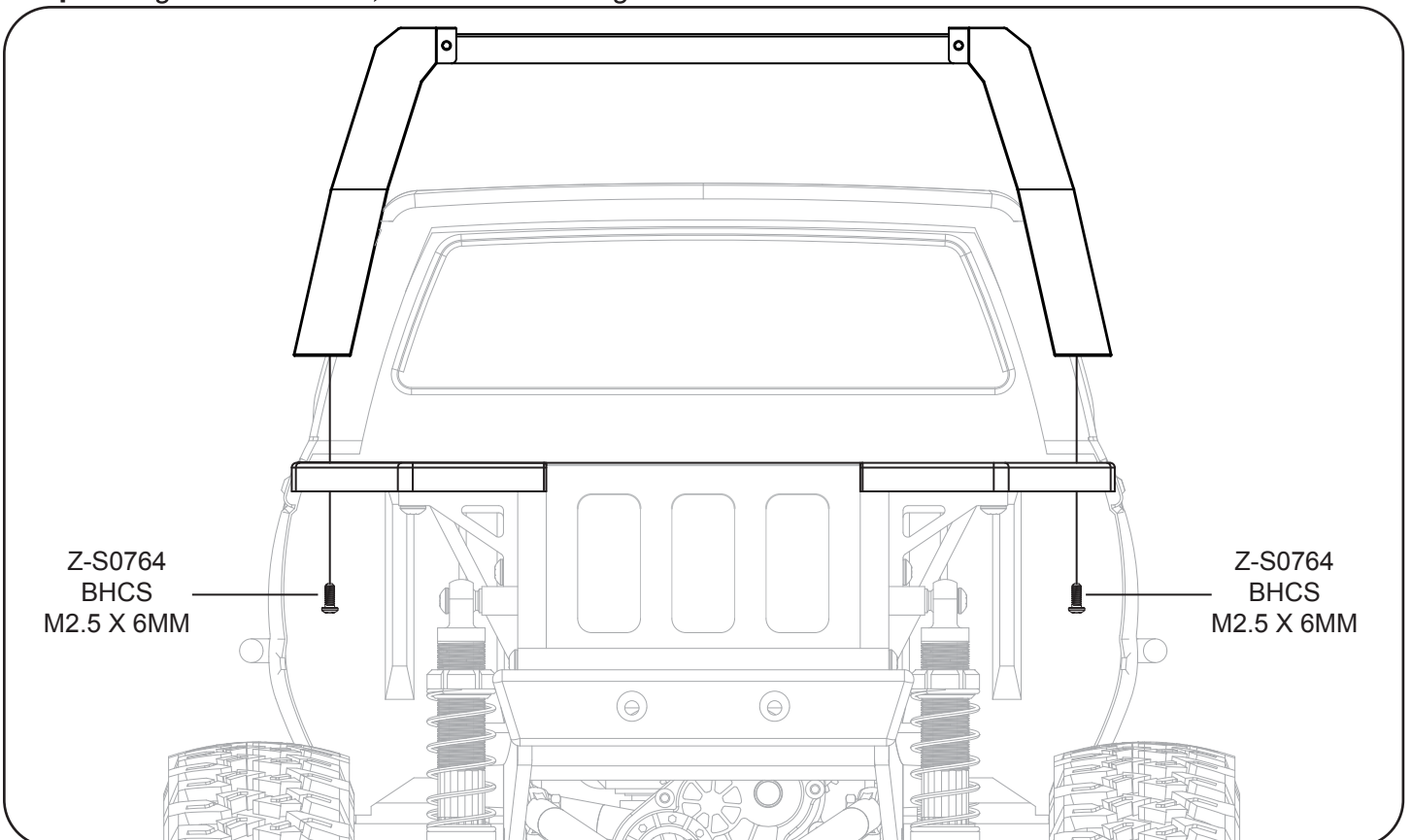


Roll Bar and Light Mount for RC4WD C2X

Step 1. Measure the distance, and then use an electric drill to make holes.

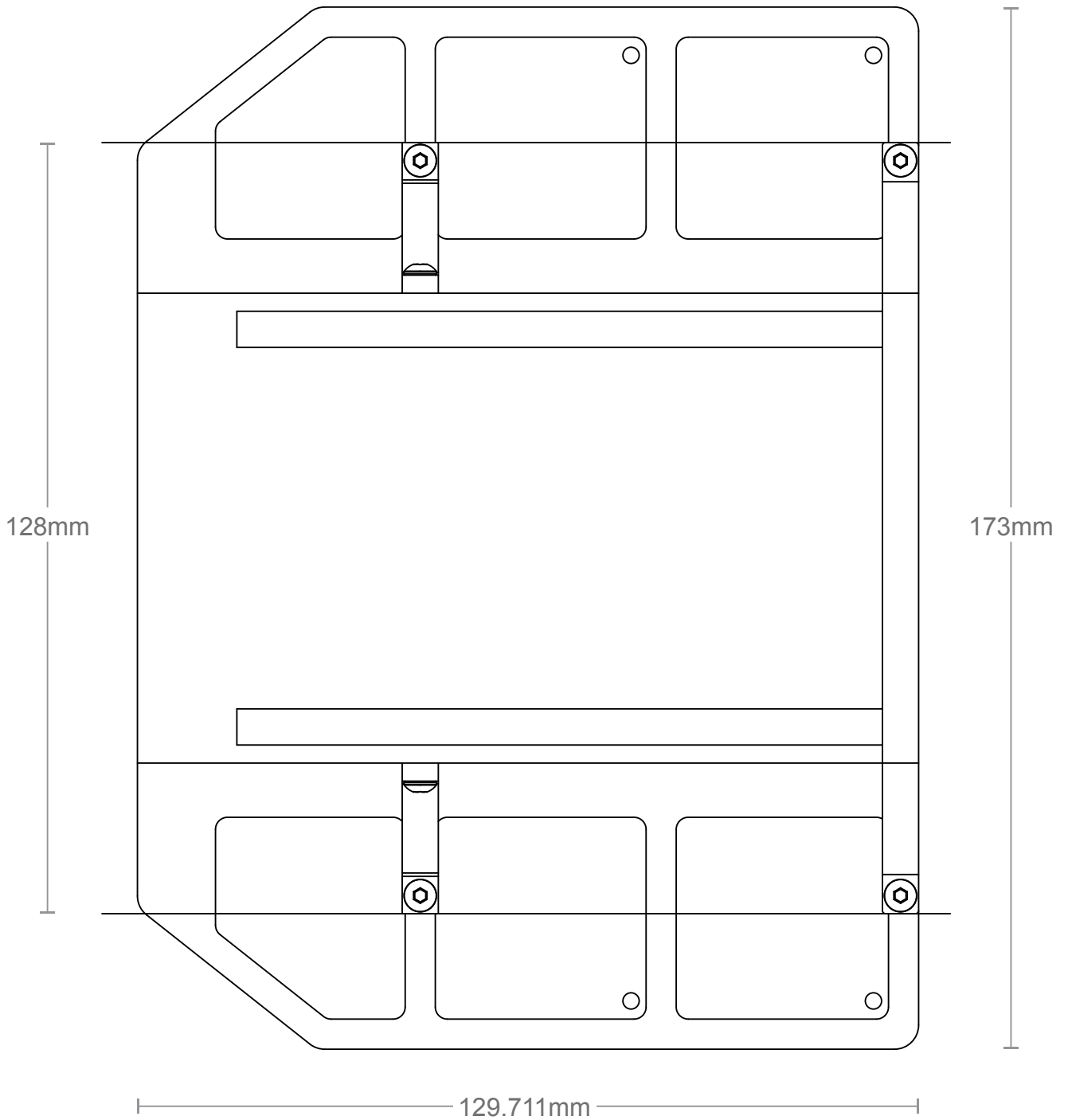


Step 2. Align with the hole, install the roll cage.





Roll Bar and Light Mount for RC4WD C2X



▲ PLEASE PRINT IN 1:1 SIZE