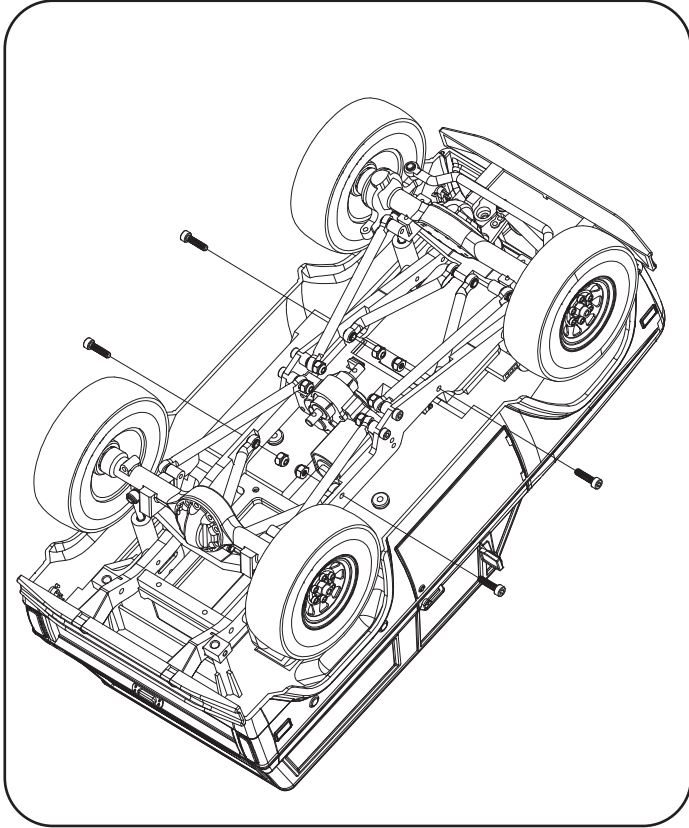


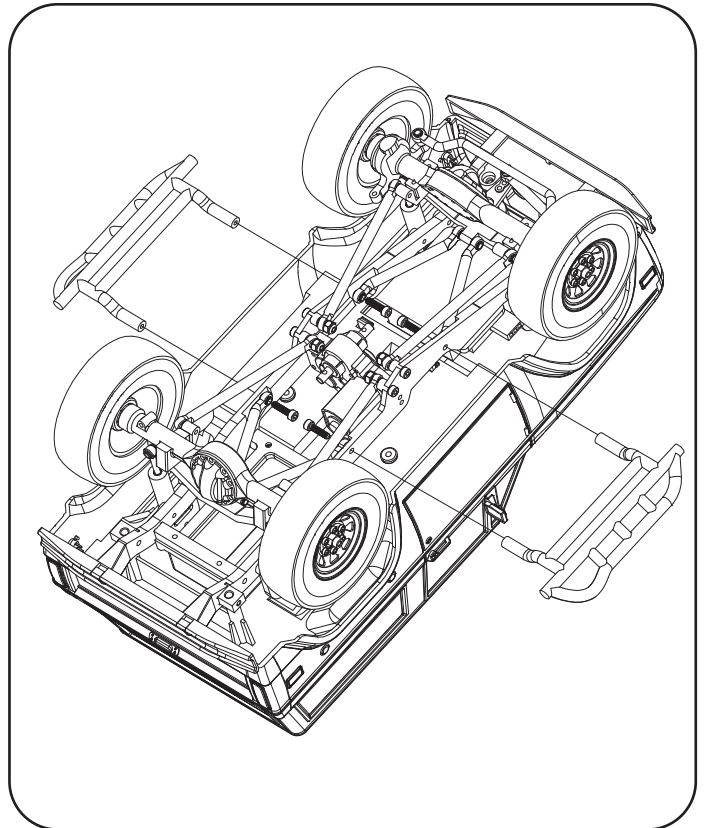


Tough Armor Side Steel Sliders for 1/18 Gelande II

Step 1. Using a 1.5mm hex driver and some needle nose pliers, remove the 4 bolts that secure the upper links to the chassis.



Step 2. Reverse the direction of the screw and reattach the upper links and sliders simultaneously. The nuts are not needed.



Step 3. Completed Assembly.

