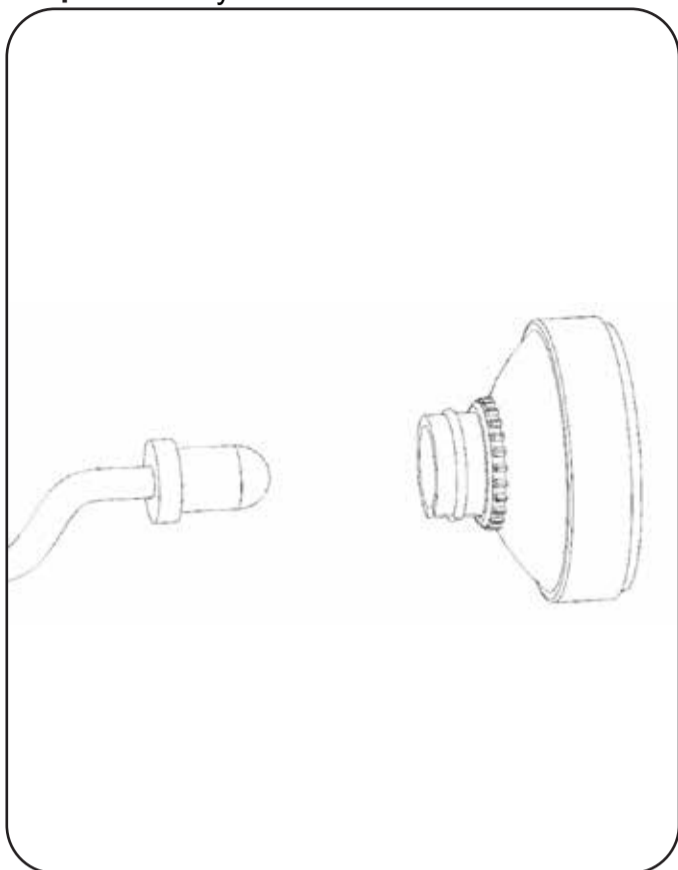


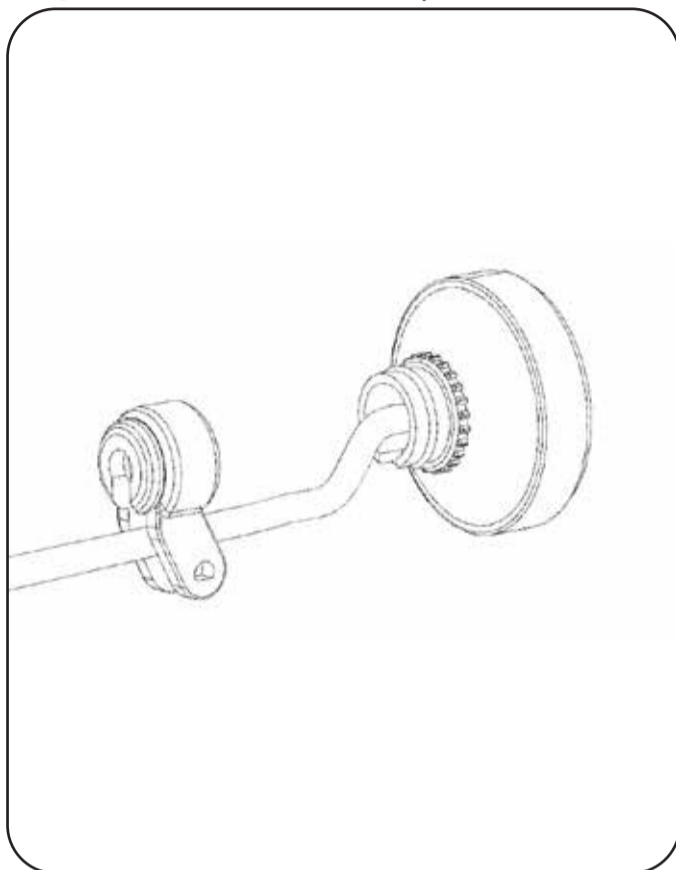


# How to Build your RC4WD KC Light Sets

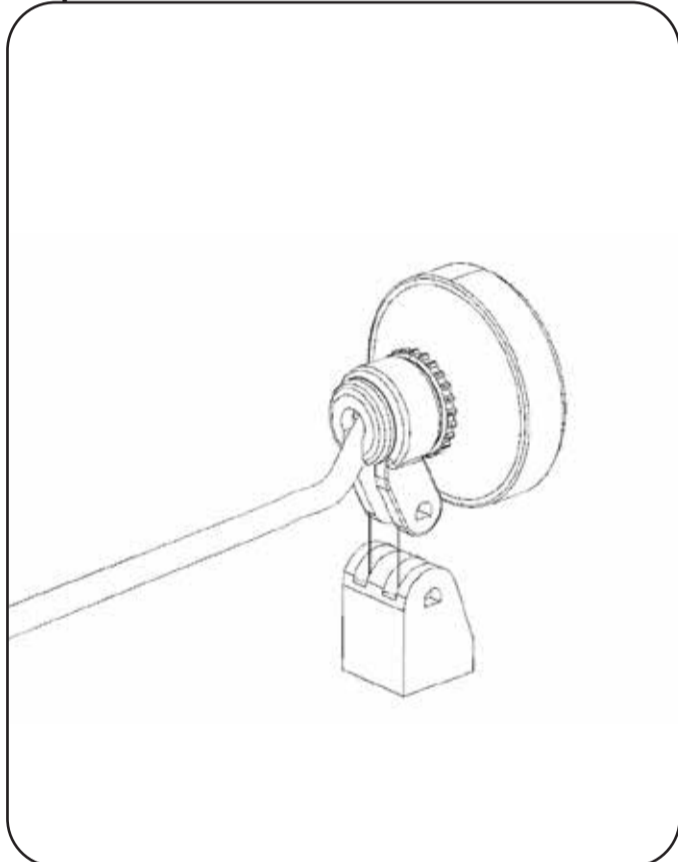
**Step 1. Install your 3mm LED**



**Step 2. Install the rear cover plate**

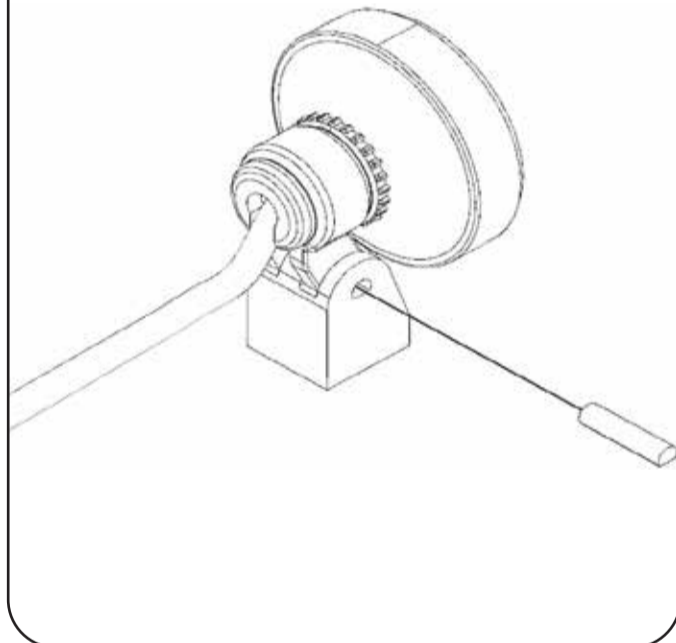


**Step 3. Install the lower base mount.**

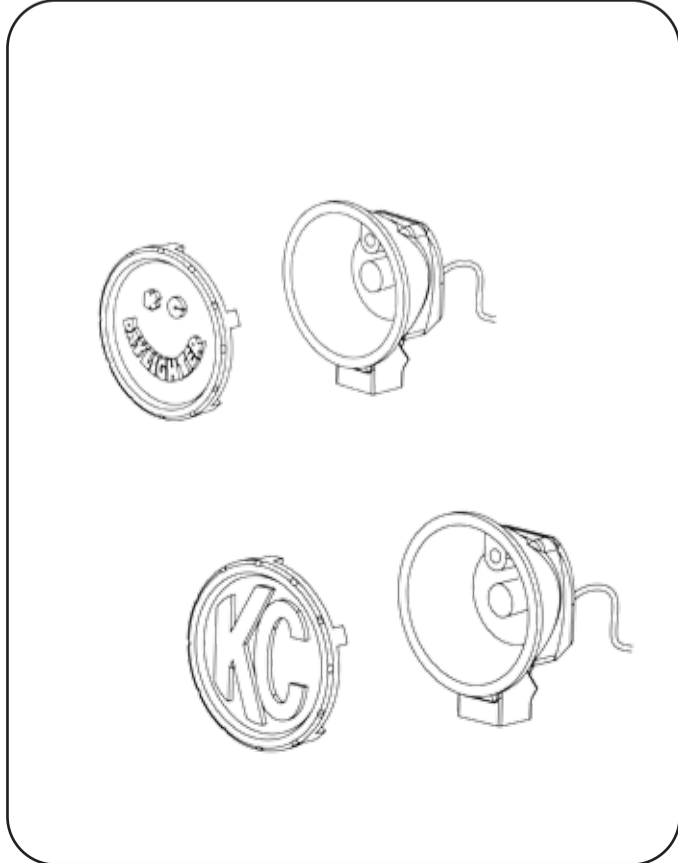


**Step 4. Attach light to mount**

*Use the supplied keyed pin to secure the light bucket and mounting bracket. This is a snug fit and pliers may be needed to press fit the pin. Take care not to damage the plastic.*



**Step 5. Attach the Light Covers**



**Step 6. Use M2x6mm screws to mount your new lights to your scale project.**

