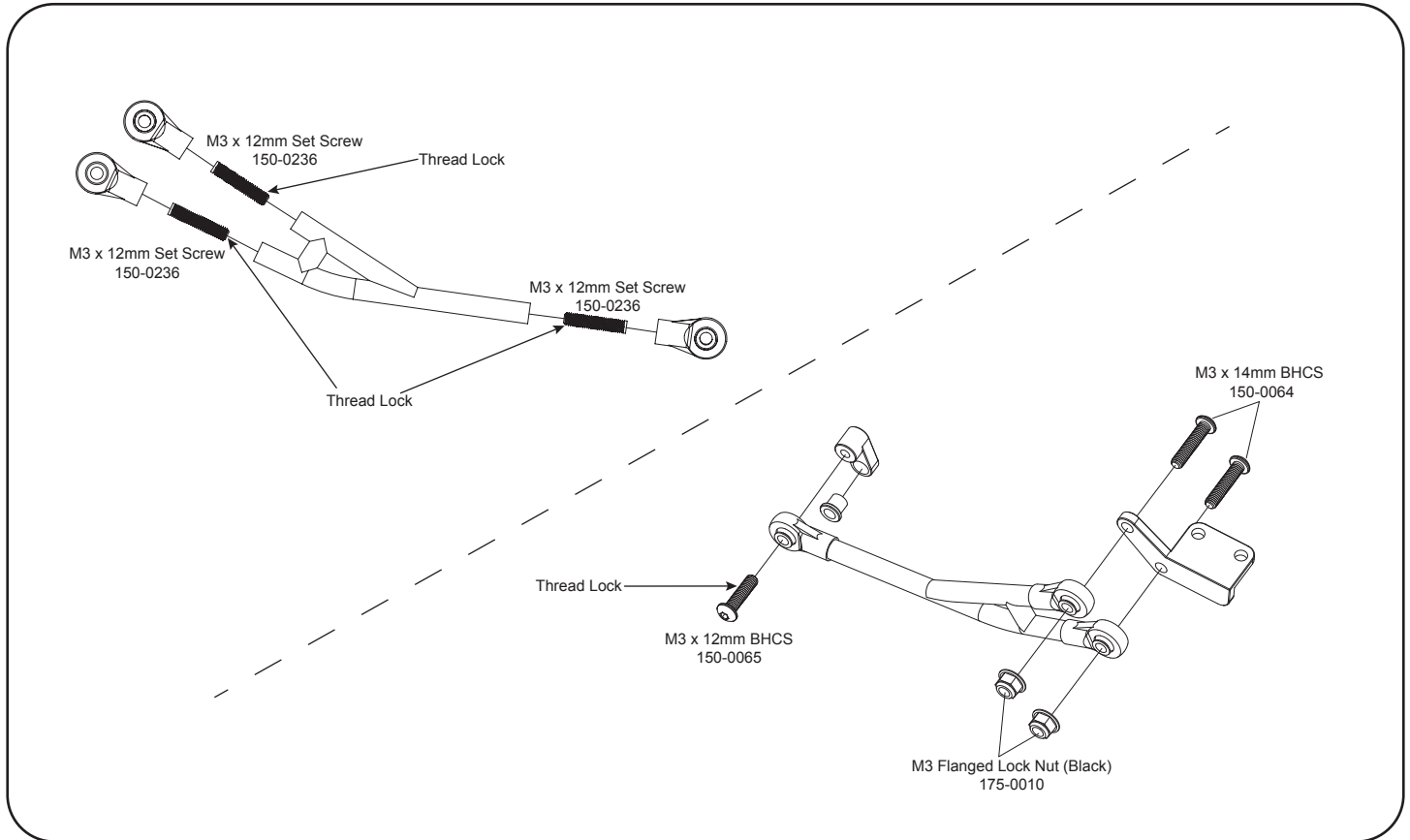


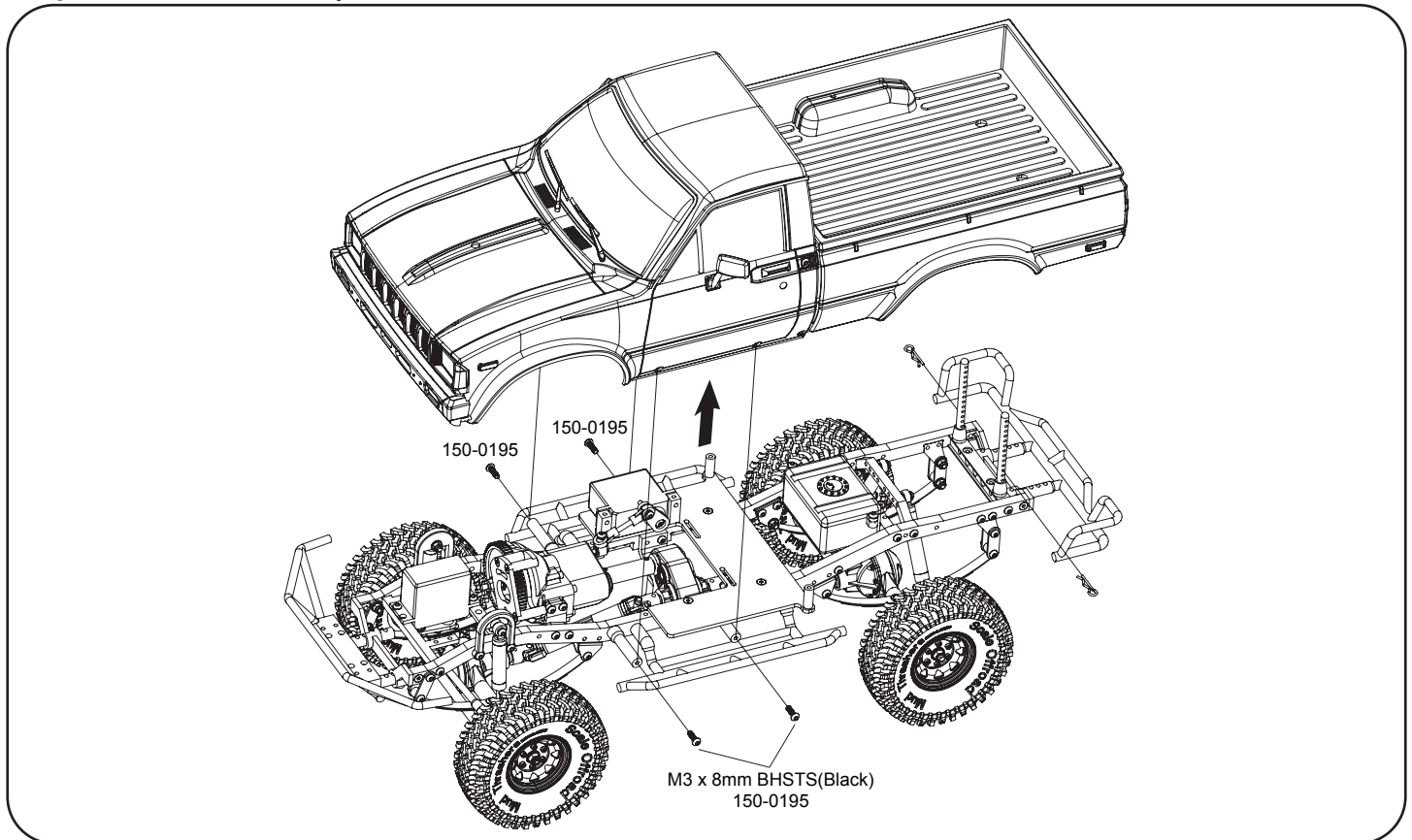


Anti Wrap Bar for Yota 2 Axles

Step 1.



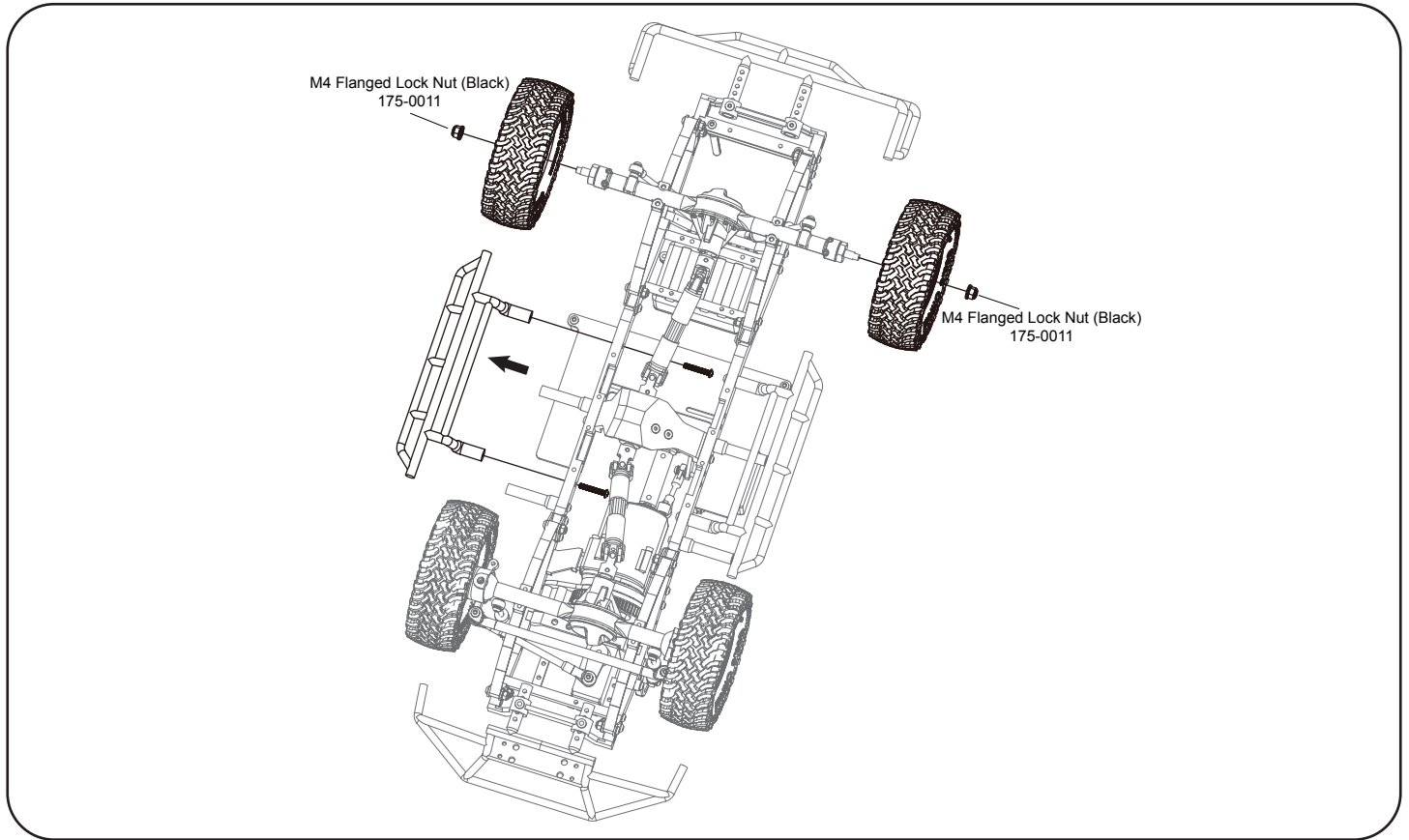
Step 2. Remove the Body.



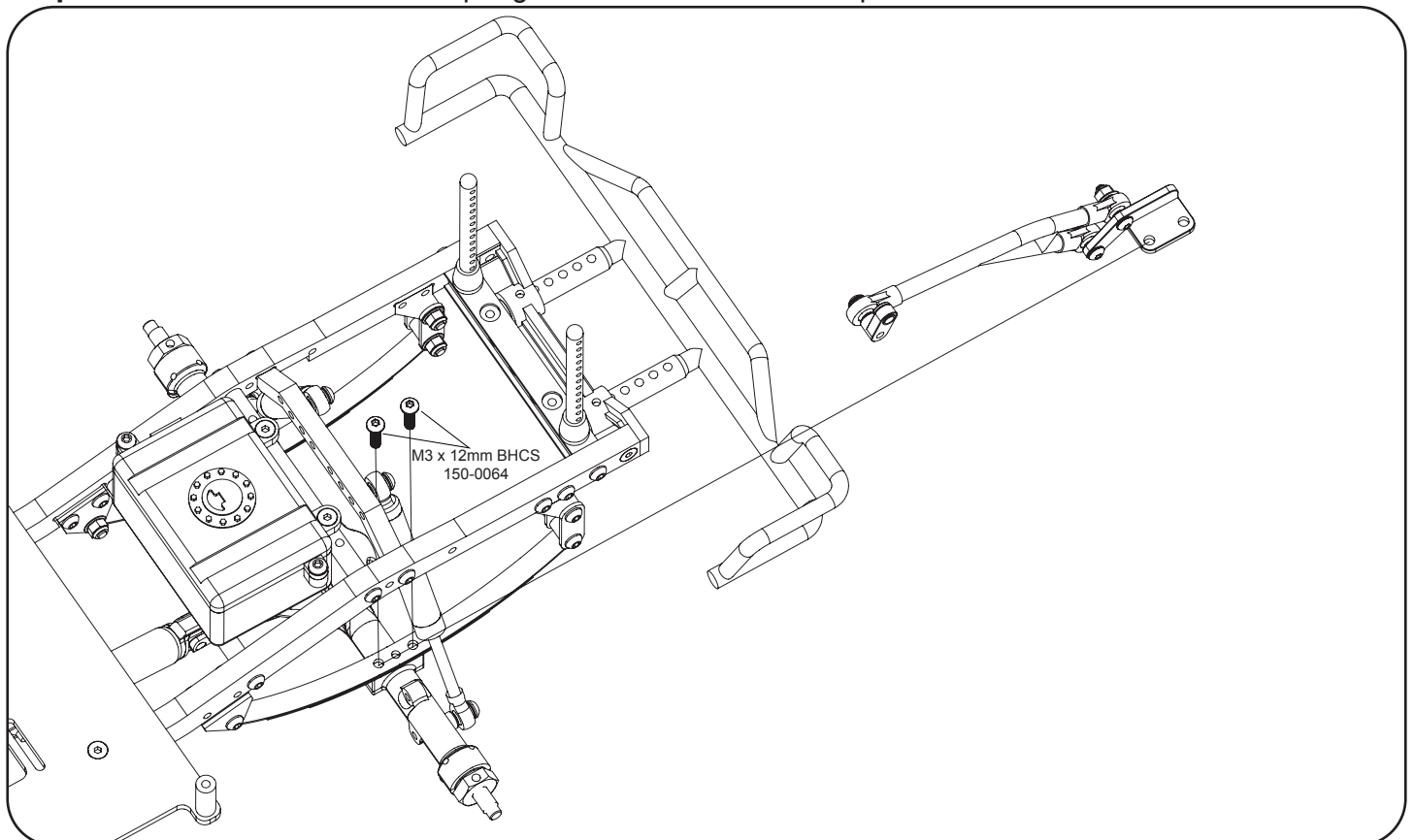


Anti Wrap Bar for Yota 2 Axles

Step 3. Remove the rear wheels.



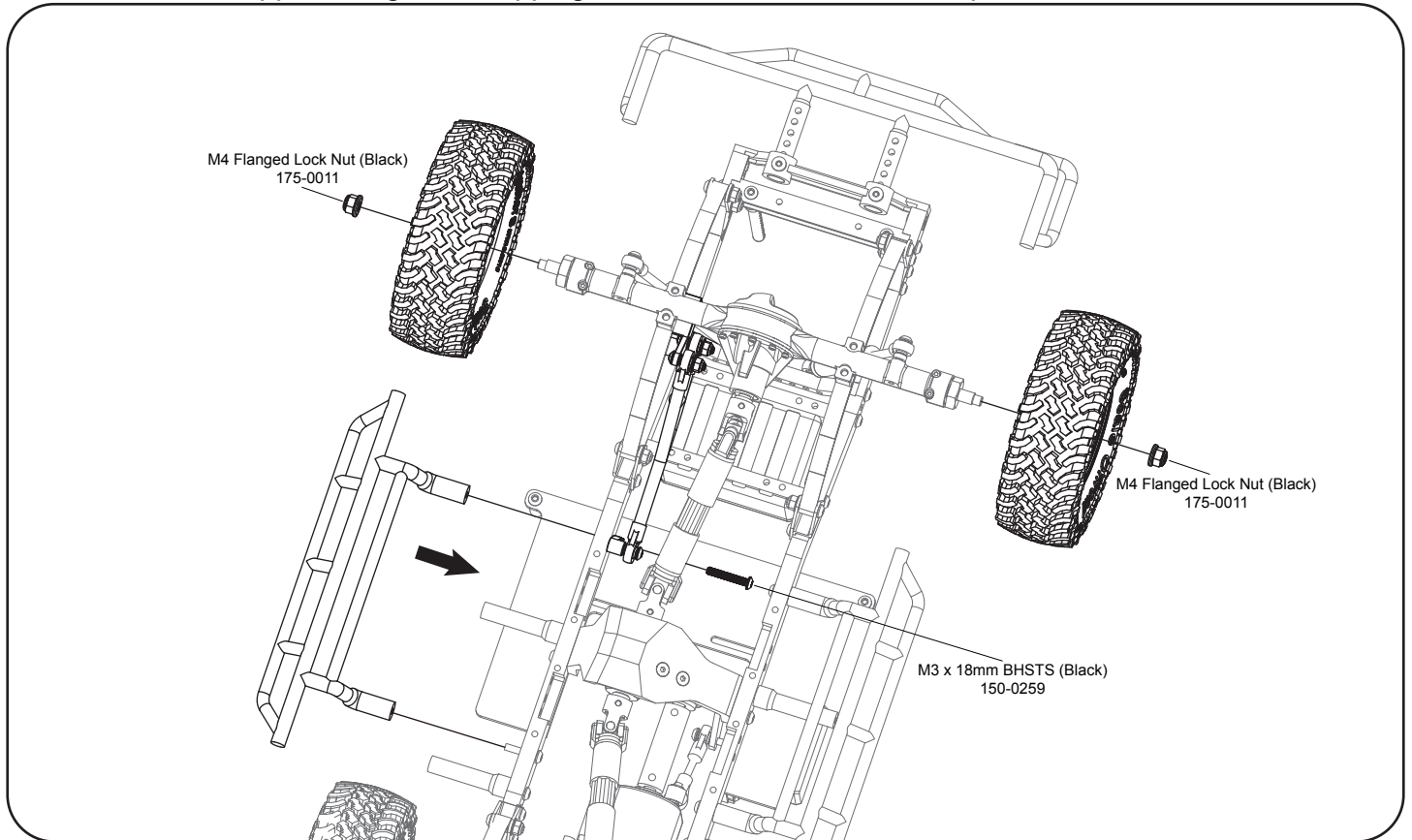
Step 4. Remove the left side leaf spring bolts and install Anti Wrap bar.





Anti Wrap Bar for Yota 2 Axles

Step 5. Use the supplied longer self tapping screws to attach the anti-wrap bar and slider at the same time.



Step 6. Install the body.

