

RC4WD TRAIL FINDER 2 RTR w/1985 TOYOTA PICKUP HARD BODY SET



TRAIL FINDER 2 1985 TOYOTA PICKUP

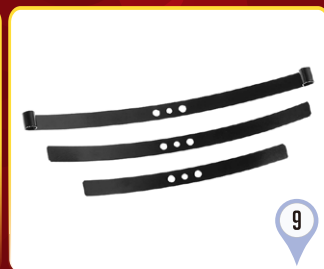
RC4WD TRAIL FINDER 2 RTR w/1985 TOYOTA PICKUP HARD BODY SET

TOYOTA

OFFICIAL LICENSED PRODUCT

FEATURES

- 1 RC4WD 1985 TOYOTA PICKUP HARD BODY COMPLETE SET
- 2 KC HILITES KC LIGHT SET V2 (RED VERSION)
- 3 HALOGEN STYLE LIGHTS (RETRO LOOK)
- 4 TOYOTA 22RE ENGINE BAY W/DRESS UP KIT
- 5 STAMPED STEEL 1.7" BEADLOCK CHROME SR5 WHEELS
- 6 BFG MUD-TERRAIN T/A KM2 1.7" WHITE LETTER TIRES
- 7 TOYOTA II ULTIMATE SCALE CAST AXLES V2 (XVD)
- 8 THE ULTIMATE SCALE SHOCKS (60/80MM)
- 9 SUPER SOFT FLEX LEAF SPRINGS FOR TF2 (4)
- 10 540 CRAWLER BRUSHED MOTOR 45T
- 11 R3 SINGLE SPEED TRANSMISSION
- 12 HAMMER TRANSFER CASE (1.47/1)
- 13 TWISTER HIGH TORQUE METAL GEAR DIGITAL SERVO
- 14 FUEL CELL RADIO BOX
- 15 6-CELL 3000MAH NIMH BATTERY PACK
- 16 MARLIN CRAWLER SIDE PLASTIC SLIDERS FOR TRAIL FINDER 2 V2
- 17 FRONT & REAR INNER FENDER SET
- 18 XR3 3-CHANNEL 2.4GHZ TRANSMITTER/RECEIVER RADIO
- 19 UNIVERSAL NIMH PEAK BATTERY CHARGER
- 20 QUICK RELEASE BODY MOUNT FOR 1985 TOYOTA PICKUP/4RUNNER



READY TO RUN



ADVENTURES CAN HAPPEN ANYWHERE. NOTHING WILL GIVE YOU MORE FUN IN THE SAND, DIRT, SNOW OR MUD THAN THE TRAIL FINDER 2 RTR w/1985 TOYOTA PICKUP. PART SCALE TRUCK, PART ADVENTURER, YOUR TRAIL FINDER 2 RTR w/1985 TOYOTA PICKUP IS READY FOR YOUR MUD KICKING, TRAIL-LOVING LIFESTYLE!

THE TRAIL FINDER 2 RTR w/1985 TOYOTA PICKUP HAS BOTH DETAILED STYLING AND AGGRESSIVE PERFORMANCE. YOU WILL FIND A BALANCE OF CAPABILITY AND PERFORMANCE BUILT INTO EVERY TRAIL FINDER 2 RTR w/1985 TOYOTA PICKUP. PERFORMANCE OF THE TRAIL FINDER 2 RTR w/1985 TOYOTA PICKUP IS SMOOTH WITH ITS R3 SINGLE SPEED TRANSMISSION, 4WD DRIVETRAIN, BULLETPROOF TRANSFER CASE AND QUALITY METAL COMPONENTS THROUGHOUT. THE TRAIL FINDER 2 RTR w/1985 TOYOTA PICKUP IS TRULY A WORK OF ART IN BOTH APPEARANCE AND PERFORMANCE.

EVERY TRAIL FINDER 2 RTR w/1985 TOYOTA PICKUP IS COMPATIBLE WITH A FULL RANGE OF OPTIONS AND PERFORMANCE PARTS DESIGNED TO ENHANCE THE PERFORMANCE AND ADD TO THE SCALE LOOK OF THE TRUE SCALE 1/10 OFF-ROAD TRUCK... THE TRAIL FINDER 2 RTR w/1985 TOYOTA PICKUP!

THE ADVANCED GRIPTEC™ RUBBER TIRE FORMULATION PROVIDES CONSISTENT BITE AND PROGRESSIVE TRACTION ACROSS ROCK, DIRT, AND TRAIL SURFACES, WHILE THE INTERNAL TIRE CARCASS CONSTRUCTION AND SIDEWALL GEOMETRY MIRROR FULL-SCALE TIRE DYNAMICS FOR AUTHENTIC FLEX AND STABILITY. OPTIMIZED TREAD DEPTH AND SPACING ENHANCE SELF-CLEANING AND CONTACT PATCH PERFORMANCE, ENSURING YOUR RIG LOOKS AND DRIVES LIKE THE REAL THING.

YOUR ADVENTURE AWAITS!

RC4WD TRAIL FINDER 2 RTR w/1985 TOYOTA PICKUP HARD BODY SET

RC4WD

TRAIL FINDER 2

1985 TOYOTA PICKUP

DRIVETRAIN



The R3 Single Speed Transmission comes with a tough cast metal case, wider gears for durability and a Delrin Spur with Slipper Clutch for performance. It also features a sturdy billet aluminum motor mount for added toughness.



The Trail Finder 2 includes the Hammer Transfer Case. Packed with detail, the Hammer features a cast metal exterior and heavy duty .8 Mod widened gears for durability.



Drawing on the success of the RC4WD MOA gear sets, the TF2 RTR Drivetrain has the most durable gears RC4WD has to offer so the Trail Finder 2 will stay on the trail, day after day.



The most scale accurate axles on the market, the RC4WD Yota II Ultimate Scale Cast Axles (XVD) feature innovative 8 degree round knuckles, unique removable diff covers, lower mounting points and a compact offset pumpkin in the front.



The Punisher Shafts for the Trail Finder 2 feature bulletproof steel universals and a high quality plastic shaft for great driveline angles and durability on the trail.

PRECISION ENGINEERED · BULLET-PROOF COMPONENTS · PERFORMANCE PARTS

For more information, upgrades and all the latest news, visit us at: rc4wd.com

RC4WD

TRAIL FINDER 2

1985 TOYOTA PICKUP



The Trail Finder 2 Chassis features a molded fuel cell that doubles as an electronics storage box plus an aluminum frame mounted under cab electronics tray for multiple electronics mounting options.



The Trail Finder 2 includes a set of RC4WD Ultimate Scale Shocks. Designed with scale looks and ultimate performance. The shocks are machined from billet aluminum and internally sprung.



The Trail Finder 2 Chassis is a machined billet aluminum ladder frame design with leaf springs, scale shock hoops, chassis servo mounts and hard body mounts. 4-link conversion available!



The 1985 Toyota Pickup comes equipped with Stamped Steel 1.7" Beadlock SR5 Chrome Wheels with scale hubs, delivering an authentic scale appearance. Paired with these wheels are tires engineered from our all-new GripTec Red Compound, offering enhanced traction and performance.



Debuting to the RTR version, the tires feature crisp white hand painted lettering for a true-to-scale finish.

Every detail is purpose-built to grip, flex, and perform just like the full-size original.

SUSPENSION

PRECISION ENGINEERED • BULLET-PROOF COMPONENTS • PERFORMANCE PARTS

For more information, upgrades and all the latest news, visit us at: rc4wd.com

RC4WD

TRAIL FINDER 2

1985 TOYOTA PICKUP

ELECTRONICS



The Trail Finder 2 includes a high-quality XR3 3 Channel 2.4Ghz Radio System. Expanding user experience, this radio system comes with a total of three radio channels!



The Trail Finder 2 is powered by the RC4WD 45 Turn Crawler Motor. With its sealed end bell for increased durability and long-lasting performance, you're sure to get where you're going!



Included is the popular RC4WD Outcry III Waterproof ESC Brushed Speed Controller, with built-in drag brake, for reliable constant power on demand at any time!



With a massive 277.6oz@6V of torque and a full metal geared drivetrain, the RC4WD Twister Metal Gear Digital Servo has the power and performance needed to outmaneuver and overcome tough terrain.



It's ALL in the box! Everything you need is provided to get you on the trails today!

PRECISION ENGINEERED • BULLET-PROOF COMPONENTS • PERFORMANCE PARTS

For more information, upgrades and all the latest news, visit us at: rc4wd.com

RC4WD

TRAIL FINDER 2

1985 TOYOTA PICKUP



What more could you ask for in a RTR w/1985 Toyota Pickup? It's packed with an impressive array of scale details, including a full interior, mirrors, door handles, vents, and an accurately replicated grille—all designed to mirror the 1:1 original and deliver unmatched realism.



The RTR w/1985 Toyota Pickup Body Set features a plethora of scale characteristics including opening doors, and an ultra detailed 22RE Engine Bay.



This RTR w/1985 Toyota Pickup Body features a chrome-plated roll bar equipped with KC HiLiTES light pods, along with a rear sliding window designed to authentically replicate the full-size original. Each vehicle is professionally painted to accurately capture those scale looks.



The RTR w/1985 Toyota Pickup has a complete molded plastic engine bay that comes painted with decals installed for an extremely scale appearance.



The RTR w/1985 Toyota Pickup body mounting system uses the RC4WD Quik Release Body Mount for 1985 Toyota Pickup/4Runner, which is compatible with various installation methods!

THE DETAILS

PRECISION ENGINEERED • BULLET-PROOF COMPONENTS • PERFORMANCE PARTS

For more information, upgrades and all the latest news, visit us at: rc4wd.com

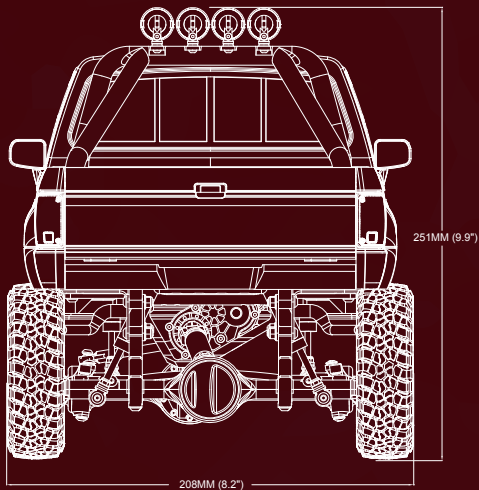
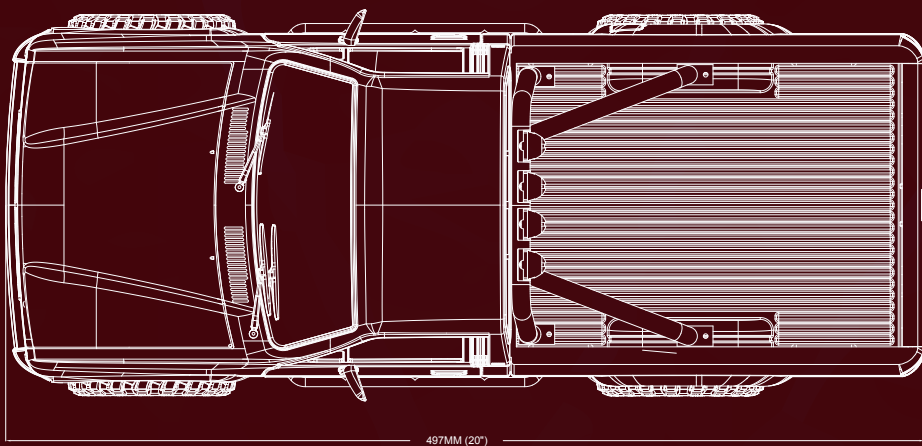
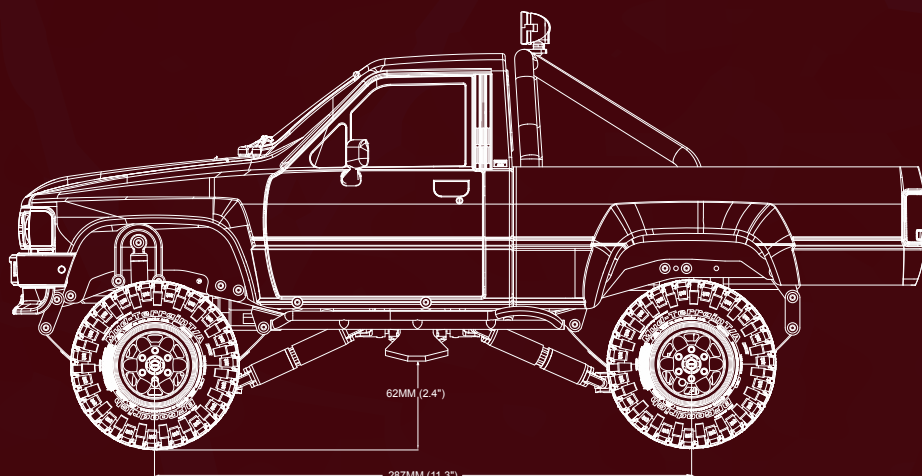
RC4WD

TRAIL FINDER 2

1985 TOYOTA PICKUP



SPECIFICATIONS



MORE INFO

Hammer Transfer Case

Ratio: 1.47: 1

Gears: Wide .8 Mod Steel Gears

Features: 8 Bearings, Cast Casing, Hardened Gears

R3 Single Speed Transmission

Ratios: Pinion/Spur 14/64 = 4.57:1 Internal Ratio = 1.78:1

Gears: Wide Steel .8 Mod, Delrin Spur, Slipper Clutch, Features - Metal Billet Aluminum Casing, Scale Looking, Motor Mount can be Rotated to 10 different Positions, Compatible with other Brand Spurs (Axial, Traxxas, Robinson)

Yota II Ultimate Scale Cast Axles

Ratio: 15/40 = 2.67:1

Width at Hex: 178.2mm

Trail Finder 2 Chassis Features

Features: Billet Aluminum Construction, Adjustable Shock Hoops

Drive Shafts

RC4WD Plastic Punisher Shaft V2

(98mm - 103mm / 3.86" - 4.06") 5mm Hole

Wheels

Type: Stamped Steel 1.7" Beadlock SR5

Wheels (Chrome)

Hub: 12mm Hex

Width: 23.0mm (0.90")

OD: 47.0mm (1.85")

TF2 Truck Dimensions

Wheelbase: 287mm (11.3")

Width: 208mm (8.2")

Height: 251mm (9.9")

Ground Clearance: 62mm (2.4")

Final Drive Ratio: 31.9:1

PRECISION ENGINEERED · BULLET-PROOF COMPONENTS · PERFORMANCE PARTS

For more information, upgrades and all the latest news, visit us at: rc4wd.com