

RC4WD TRAIL FINDER 2 "LWB" RTR W/ 1987 TOYOTA XTRACAB HARD BODY SET (WHITE)



TRAIL FINDER 2 XTRACAB

RC4WD TRAIL FINDER 2 "LWB" RTR W/ 1987 TOYOTA XTRACAB HARD BODY SET (WHITE)

TOYOTA

OFFICIAL
LICENSED
PRODUCT

FEATURES

- 1 1987 TOYOTA XTRACAB BODY SET IN WHITE
- 2 REALISTIC BILLET ALUMINUM LADDER FRAME CHASSIS
- 3 R3 SINGLE SPEED TRANSMISSION
- 4 CENTER MOUNTED REALISTIC HAMMER TRANSFER CASE
- 5 540 CRAWLER BRUSHED MOTOR 45T
- 6 OUTCRY III WATERPROOF ESC
- 7 6-CELL 3000MAH NIMH BATTERY PACK
- 8 YOTA II ULTIMATE SCALE CAST AXLES (XVD)
- 9 TWISTER HIGH TORQUE METAL GEAR DIGITAL SERVO
- 10 RC4WD ULTIMATE SCALE SHOCKS (70/90MM)(YELLOW)
- 11 STAMPED STEEL 1.7" BEADLOCK SR5 WHEELS (CHROME)
- 12 RC4WD BFGOODRICH ALL TERRAIN K02 1.7" SCALE TIRES
- 13 YOTA 22RE ENGINE BAY
- 14 RC4WD MARLIN CRAWLER SIDE PLASTIC SLIDERS
- 15 RC4WD INNER FENDER SET FOR TOYOTA 4RUNNER AND XTRA CAB
- 16 NIMH PEAK BATTERY CHARGER
- 17 XR3 3-CHANNEL 2.4 GHZ TRANSMITTER / RECEIVER RADIO



BRINGING THE ICONIC TOYOTA LOOK OF THE 80S COMES THE NEW RC4WD TRAIL FINDER 2 "LWB" RTR W/ 1987 TOYOTA XTRACAB HARD BODY SET (WHITE)! THIS NEW RTR TRUCK FEATURES A GLOSSY WHITE HARD BODY WITH AN ENGINE BAY, PAINTED INTERIOR, EXCLUSIVE DECAL SHEET, AND LIGHT KIT THAT IS SURE TO CAPTIVATE SCALE AFICIONADOS! INCLUDED HOP-UPS ARE ULTIMATE SCALE SHOCKS, INNER FENDERS, AND PREMIUM WHEELS AND TIRES THAT ELEVATE THE SCALE DETAIL AND AUTHENTICITY!

THIS TRAIL FINDER 2 "LWB" CHASSIS IS EQUIPPED WITH AN R3 SINGLE SPEED TRANSMISSION, 540 CRAWLER BRUSHED MOTOR, AND OUTCRY III WATERPROOF ESC, ENSURING YOU GET THE SAME GREAT PERFORMANCE AND DURABILITY.

DON'T MISS THIS RETRO EXCLUSIVE SCALE EXPERIENCE!

RTR

READY TO RUN

1/10

1/10 SCALE TRUCK

BEADLOCK WHEELS

4x4

FOUR WHEEL DRIVE

PRODUCT PHOTOS AND DESCRIPTIONS ARE FOR ILLUSTRATIVE PURPOSES ONLY. ALL PRODUCT PHOTOS AND SPECIFICATIONS ARE SUBJECT TO CHANGE WITHOUT NOTICE. ACTUAL PRODUCT MAY VARY. PLEASE REVIEW WWW.RC4WD.COM FOR THE MOST UP TO DATE INFORMATION.

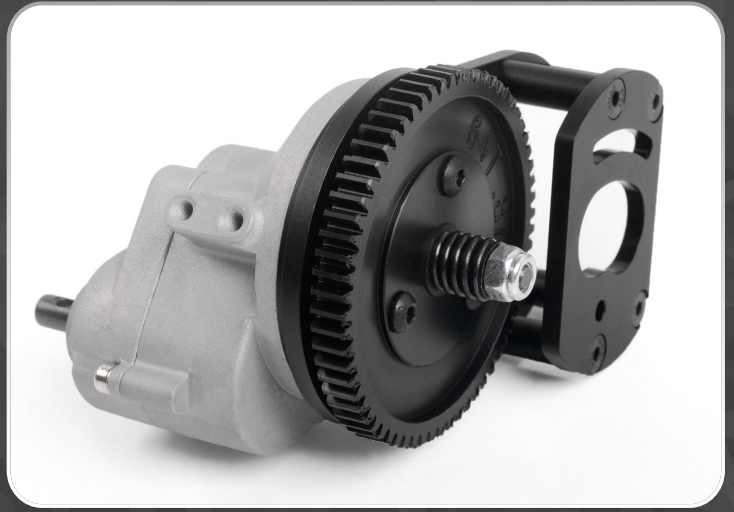
RC4WD TRAIL FINDER 2 "LWB" RTR W/ 1987 TOYOTA XTRACAB HARD BODY SET (WHITE)



TRAIL FINDER 2 XTRACAB

RC4WD TRAIL FINDER 2 "LWB" RTR W/ 1987 TOYOTA XTRACAB HARD BODY SET (WHITE)

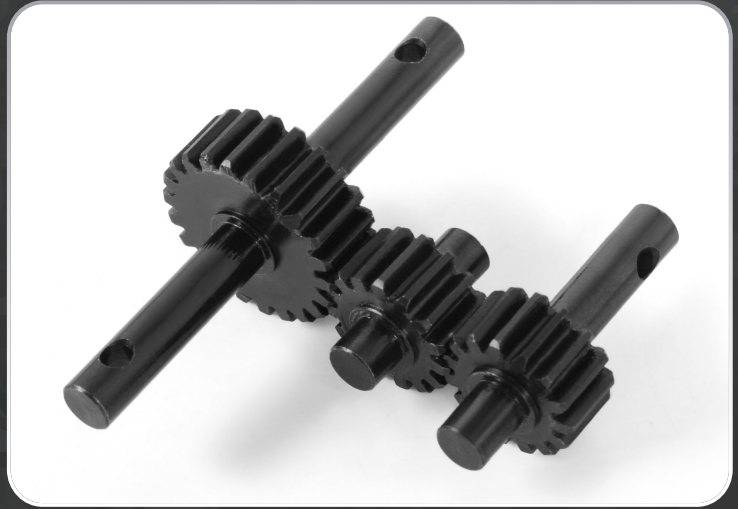
DRIVETRAIN



The R3 Single Speed Transmission has a cast aluminum case and wider gears to allow for more use and features a Delrin Spur with Slipper Clutch.



The TF2 Long Wheel Base Chassis includes the detailed Hammer Transfer Case. Featuring .8 Mod Widened Gears and a metal exterior, this heavy-duty scale case is off-road ready!



Drawing on the success of the RC4WD MOA gear sets, this drivetrain has the most durable gears RC4WD has to offer, so stay on the trail day after day.



Featuring some of the most detailed axles on the market, RC4WD Yota II Ultimate Scale Cast Axles feature innovative round knuckles, rugged leaf spring perches, and compact pumpkins. The front pumpkin is also offset, replicating the setup of a full-size rig!



With dedicated detail and profound performance, this RC truck's drive shaft design features bulletproof steel universals and a high-quality plastic shaft for great driveline angles.

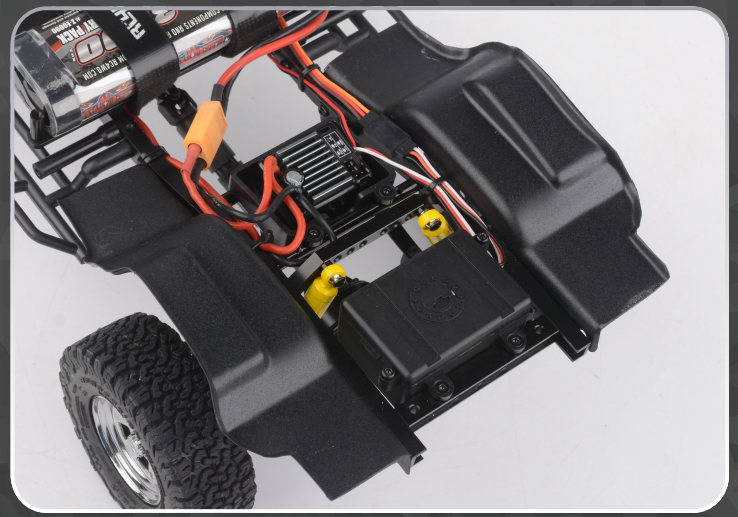
PRECISION ENGINEERED · BULLET-PROOF COMPONENTS · PERFORMANCE PARTS

For more information, upgrades and all the latest news, visit us at: rc4wd.com



TRAIL FINDER 2 XTRACAB

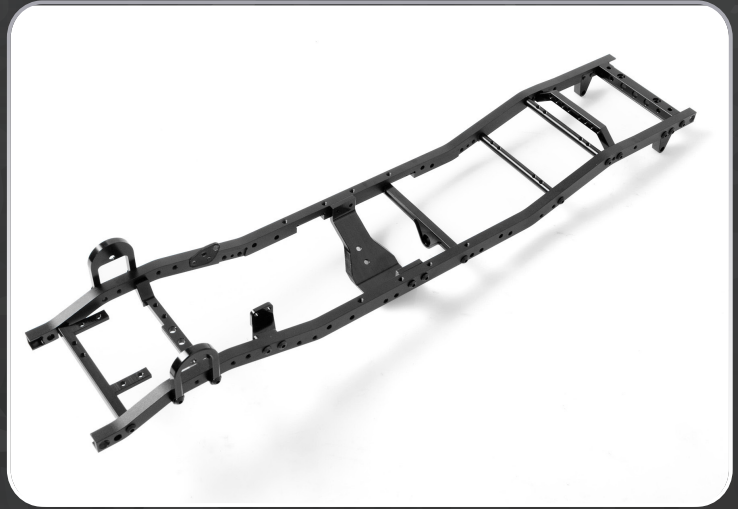
RC4WD TRAIL FINDER 2 "LWB" RTR W/ 1987 TOYOTA XTRACAB HARD BODY SET (WHITE)



The Trail Finder 2 "LWB" Chassis has a multi-purpose, molded fuel cell that serves as an electronics storage box and provides additional RC realism by storing away protruding wires.



The RC4WD Ultimate Scale RC Shocks bring a pristine scale look and peak performance. Precisely machined from billet aluminum and with internal springs, these shocks are ready to tackle any terrain!



With solid strength in mind, the ladder frame design of the Trail Finder 2 "LWB" Chassis is made with CNC machined, billet aluminum and comes with scale shock hoops, a chassis servo mount, and transmission and transfer case mounts.



The Trail Finder 2 "LWB" RTR includes a set of Stamped Steel 1.7" Beadlock SR5 Wheels (Chrome). These wheels have proportional hex bolts, hubs, and two printed wheel caps.



Every off-road truck needs a set of tough tires, and the Trail Finder 2 "LWB" RTR comes equipped with RC4WD BFGoodrich All Terrain K02 1.7" Scale Tires with X2S3 compound to deliver proper traction!

PRECISION ENGINEERED

PRECISION ENGINEERED · BULLET-PROOF COMPONENTS · PERFORMANCE PARTS

For more information, upgrades and all the latest news, visit us at: rc4wd.com



TRAIL FINDER 2 XTRACAB

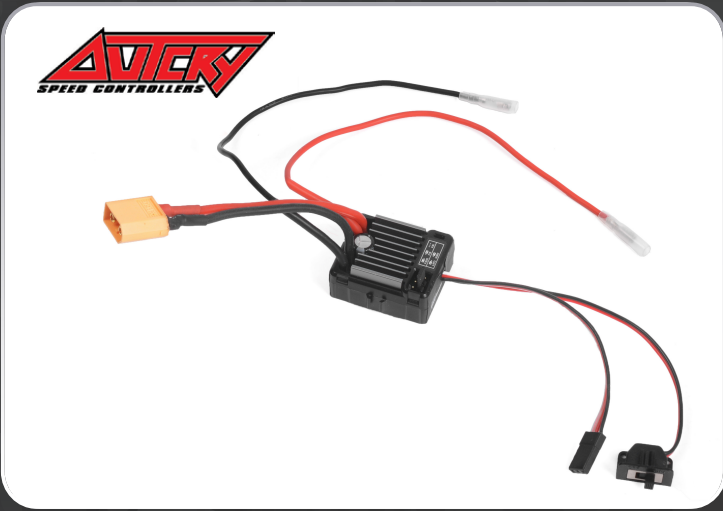
RC4WD TRAIL FINDER 2 "LWB" RTR W/ 1987 TOYOTA XTRACAB HARD BODY SET (WHITE)



The Trail Finder 2 "LWB" Chassis includes a high quality XR3 3 Channel 2.4Ghz Radio System. Expanding user experience, this radio system comes with a total of three radio positions!



The Trail Finder 2 "LWB" Chassis is powered by the tough and durable RC4WD 45 Turn Crawler Motor. With long lasting performance at its core, this power machine comes tuned for rock climbing and scale driving.



The popular RC4WD Outcry III Waterproof ESC Brushed Speed Controller with built-in drag brake is included for reliable, constant power on demand at any time.



With a massive 277.6oz@6V of torque and a full metal geared drivetrain, the RC4WD Twister Metal Gear Digital Servo has the power and performance needed to outmaneuver and overcome tough terrain.



It's ALL in the box! Everything you need is provided to get you on the trails today!

ELECTRONICS

PRECISION ENGINEERED · BULLET-PROOF COMPONENTS · PERFORMANCE PARTS

For more information, upgrades and all the latest news, visit us at: rc4wd.com



TRAIL FINDER 2 XTRACAB

RC4WD TRAIL FINDER 2 "LWB" RTR W/ 1987 TOYOTA XTRACAB HARD BODY SET (WHITE)



The 1987 Toyota XtraCab body set comes in a beautiful gloss white paint with scale decals, a pre-installed lighting system, and a full interior.

THE DETAILS



The XtraCab has a plastic engine bay that has molded details and is painted for an extremely scale appearance.



The interior features a crafted to-scale detailed dashboard complete with GPS, radio comm, and other captivating features!



The 1987 Toyota XtraCab body set features a molded drop bed and an opening tailgate.



The crisp lines and bold details are all captured. Chrome-plated parts are included, as well as, colored lenses for all signal lights. All lamps can be illuminated with minimum modifications.

PRECISION ENGINEERED · BULLET-PROOF COMPONENTS · PERFORMANCE PARTS

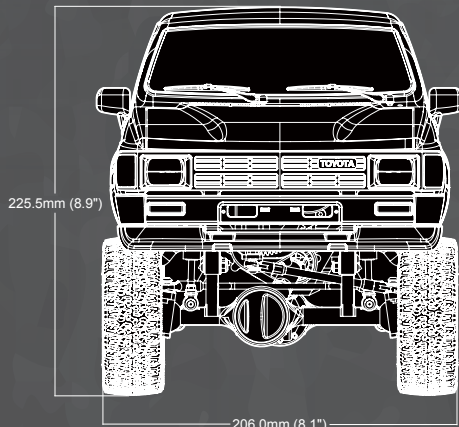
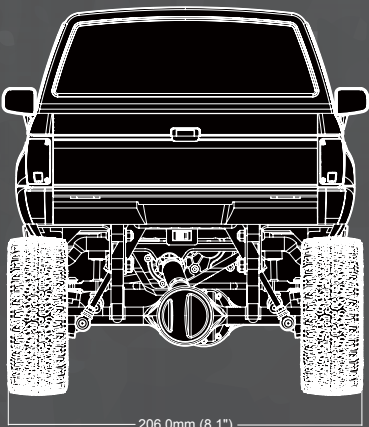
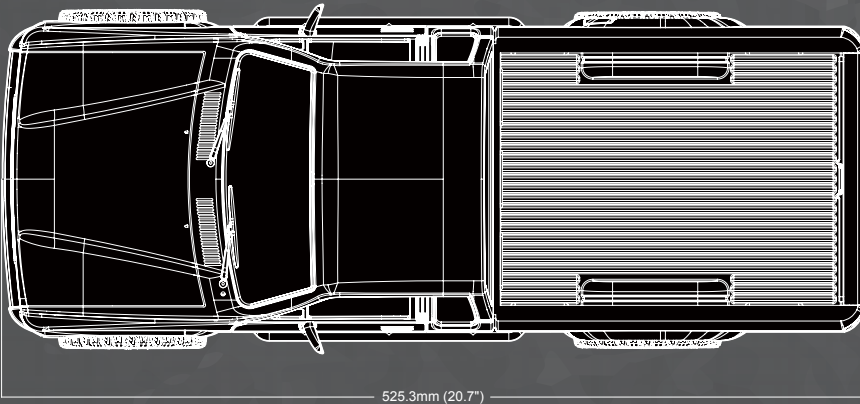
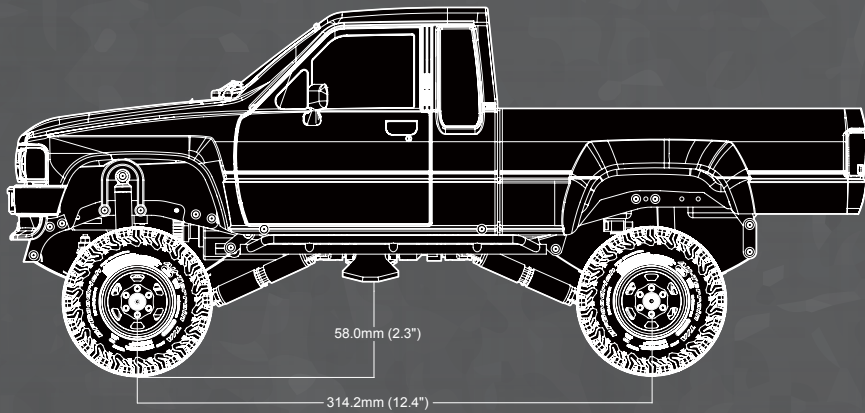
For more information, upgrades and all the latest news, visit us at: rc4wd.com



TRAIL FINDER 2 XTRACAB

RC4WD TRAIL FINDER 2 "LWB" RTR W/ 1987 TOYOTA XTRACAB HARD BODY SET (WHITE)

SPECIFICATIONS



MORE INFO

Hammer Transfer Case

Ratio: 1.47:1

Gears: Wide .8 Mod Hardened Steel Gears

Features: 8 Bearings, Cast Casing, Hardened Gears

R3 Scale Single Speed Transmission

Ratios: Pinion/Spur 14/64 = 4.57:1

Internal Ratio: 1.78:1

Gears - Wide Steel .8 Mod, Delrin Spur, Slipper Clutch

Yota II Ultimate Scale Cast Axles

Ratio: 15/40 = 2.67:1

Width at Hex (Using 4mm TF2 Hexes): 178.2mm

Trail Finder 2 "LWB" Chassis

Billet Aluminum Construction

Adjustable Shock Hoops

Drive Shafts

High Quality Plastic Material

Durable High Steel Yokes

Wheels

Type: Stamped Steel 1.7" Beadlock SR5

Wheels (Chrome)

Hub: 12mm Hex

Width: 23.0mm (0.90")

OD: 47.0mm (1.85")

Trail Finder 2 "LWB" Truck Dimensions

Wheelbase: 314.2mm (12.4")

Width: 206.0mm (8.1")

Height: 225.5mm (8.9")

Ground Clearance: 58.0mm (2.3")

Final Drive Ratio: 31.93:1

PRECISION ENGINEERED · BULLET-PROOF COMPONENTS · PERFORMANCE PARTS

For more information, upgrades and all the latest news, visit us at: rc4wd.com