



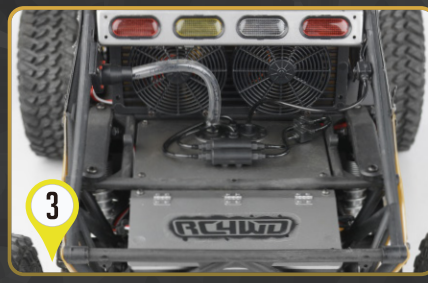
RC4WD MILLER MOTORSPORTS 1/10 PRO ROCK RACER RTR



FEATURES

- 1 CONTOURED SCALE CHASSIS SET
- 2 MOLDED LEXAN BODY PANELS
- 3 FAUX FUEL CELL
- 4 SCALE V8 CRATE ENGINE HOUSING ASSEMBLY
- 5 FUNCTIONAL SCALE TRANSMISSION AND TRANSFER CASE
- 6 ROCK CRAWLER 2.2" BEADLOCK WHEELS
- 7 GRAPPLER 2.2" SCALE TIRES
- 8 DUAL SPRING FRONT AND REAR SHOCKS

Miller Motors owner and driver Erik Miller has teamed up with RC4WD, the masters of scale! This collaboration brings expertise and an electrifying experience to the world of scale RC. Using dedicated engineering and racing insight, this model comes crafted to take on multiple terrains. Witness the thrilling results of this collaboration as we introduce this new rock-racing RTR!



Miller and all associated names are trademarks used with permission. Distributed under license by RC4WD. Copyright © 2023 MNA, Inc. All rights reserved.

Battery Not Included

RTR

READY TO RUN

1/10

1/10 SCALE TRUCK

BEADLOCK WHEELS

2WD OR 4WD

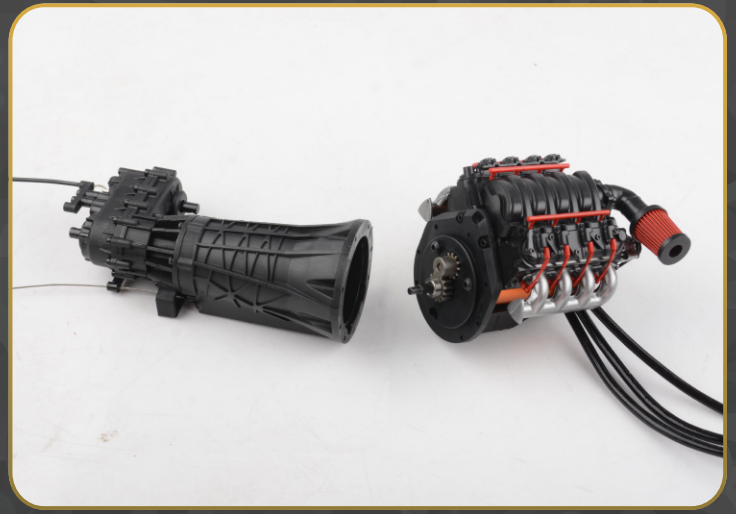
TWO/FOUR WHEEL DRIVE



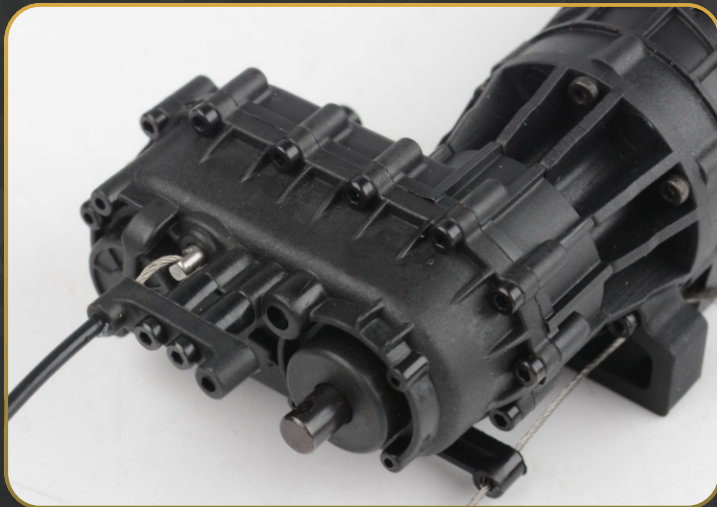
PRODUCT PHOTOS AND DESCRIPTIONS ARE FOR ILLUSTRATIVE PURPOSES ONLY. ALL PRODUCT PHOTOS AND SPECIFICATIONS ARE SUBJECT TO CHANGE WITHOUT NOTICE. ACTUAL PRODUCT MAY VARY. PLEASE REVIEW WWW.RC4WD.COM FOR THE MOST UP TO DATE INFORMATION.

RC4WD MILLER MOTORSPORTS 1/10 PRO ROCK RACER RTR

RC4WD MILLER MOTORSPORTS 1/10 PRO ROCK RACER RTR



The functional scale Transmission with Transfer Case and scale V8 Crate Engine Housing elevate this Rock Racer to an unmatched realistic level!



With a 2-speed transmission, switching from crawling over rocky terrain to racing across flatlands is quick at the push of a button.



The V8 Crate Engine Housing enhances the aesthetics and delivers next-level detail! The design is a 1/10 scale replica of its full-size counterpart!



High-clearance axles with an offset front differential are made from durable materials and designed with rock racing in mind.



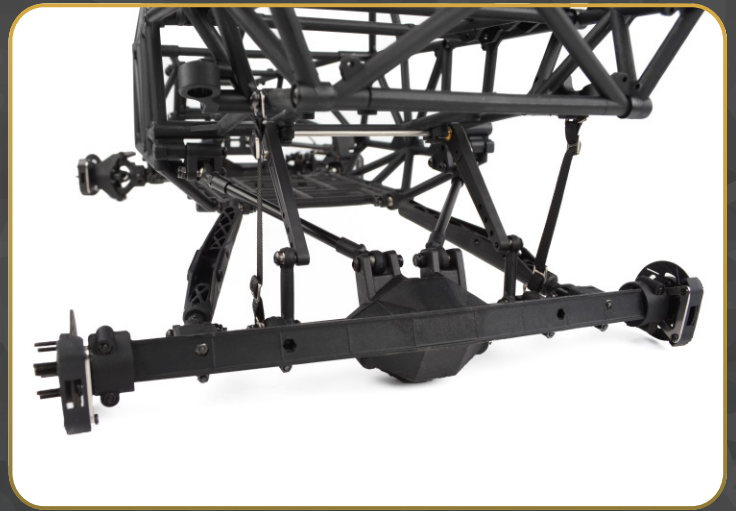
The driveshafts deliver impressive driveline angles while possessing durability during off-road adventures.

DRIVE TRAIN

PRECISION ENGINEERED · BULLET-PROOF COMPONENTS · PERFORMANCE PARTS

For more information, upgrades and all the latest news, visit us at: rc4wd.com

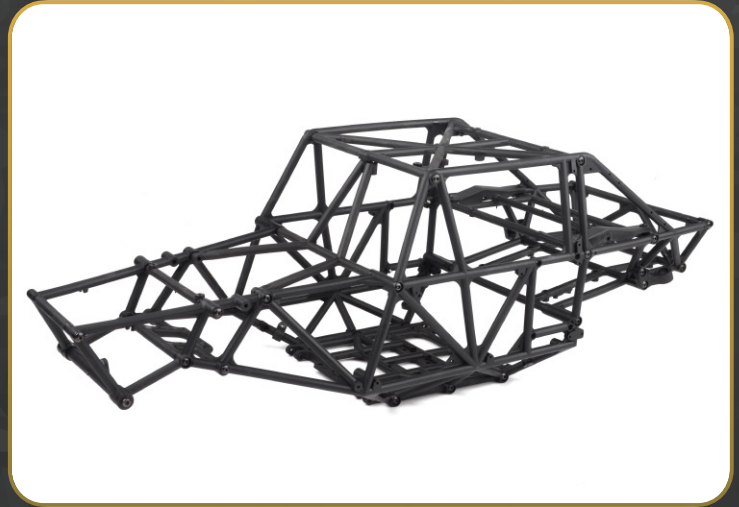
RC4WD MILLER MOTORSPORTS 1/10 PRO ROCK RACER RTR



The front suspension has a traditional 4-link, while the rear sports a trailing arm setup with sway bars at the front and rear.



These aluminum shocks with adjustable dual spring rates are primed for rock racing, striking the perfect harmony between flexibility and stability!



The Chassis is an injection molded design modeled after Erick Miller's proven and renowned Rock Racer.



2-piece Beadlock Wheels are made from durable material, ensuring they can withstand the harshest terrains, and are scale recreations of the 1:1 set.



The 2.2" Grappler scale tires have optimal grip and durability for excellent off-road traction and performance!

SUBPENSION

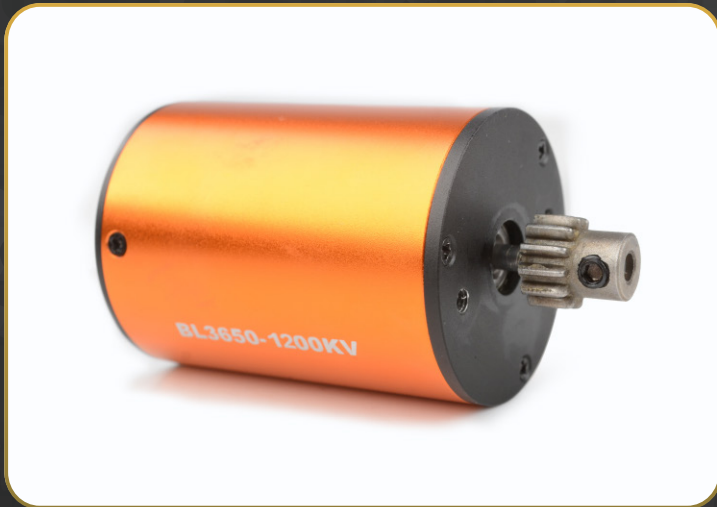
PRECISION ENGINEERED · BULLET-PROOF COMPONENTS · PERFORMANCE PARTS

For more information, upgrades and all the latest news, visit us at: rc4wd.com

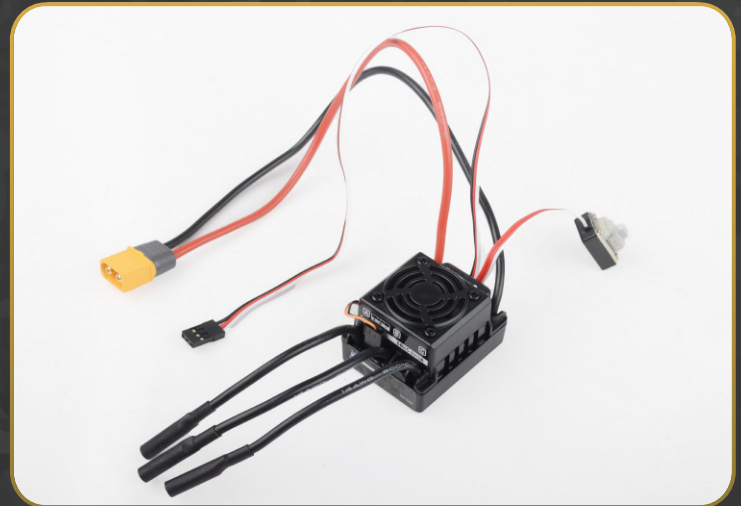
RC4WD MILLER MOTORSPORTS 1/10 PRO ROCK RACER RTR



The 6-channel radio/receiver has an all-new modern design that upgrades your control experience!



Enjoy exceptional performance while rock racing with the 1200KV Sensorless Brushless Motor!



The 2-3s 360 Amp ESC stands ready to supply the constant power and energy to push through many off-road challenges!



The Twister Servo has the torque and performance to conquer demanding tasks and ensure an exciting rock racing experience.



3-shift servos come pre-installed to control the 2 speed tranny, 2WD or 4WD and front/rear selectable differential lockers.

ELECTRONICS

PRECISION ENGINEERED · BULLET-PROOF COMPONENTS · PERFORMANCE PARTS

For more information, upgrades and all the latest news, visit us at: rc4wd.com

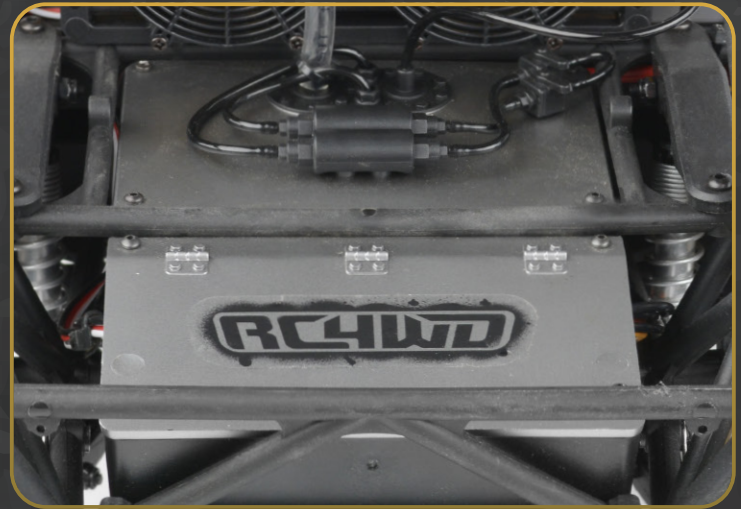
RC4WD MILLER MOTORSPORTS 1/10 PRO ROCK RACER RTR



The interior features a crafted to-scale detailed dashboard complete with GPS, radio comm, and other captivating features!



The molded radiator and fan shrouds capture the details found on this model and recreate the look of a genuine rock racer!



The aluminum fuel cells protect electronic components while concealing them for added realism!



Emphasizing the exterior design, the race-style Rear Light Bar adds more replicated detail from the full-size model.



Like the full-size racer, there are front and rear sway bars and adjustable limiting straps on all four corners!

THE DETAILS

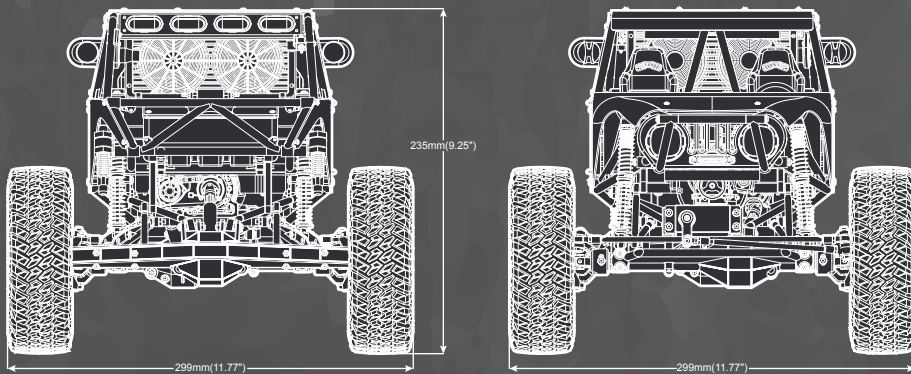
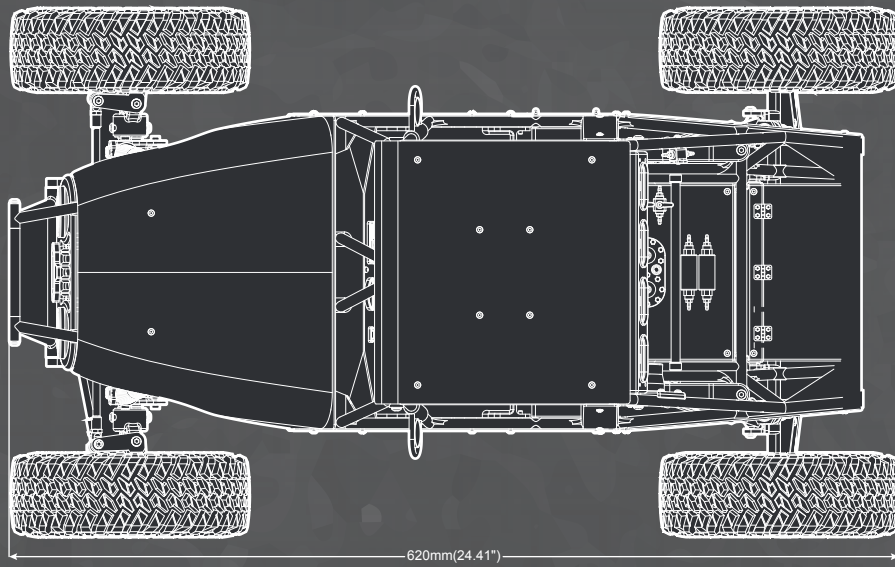
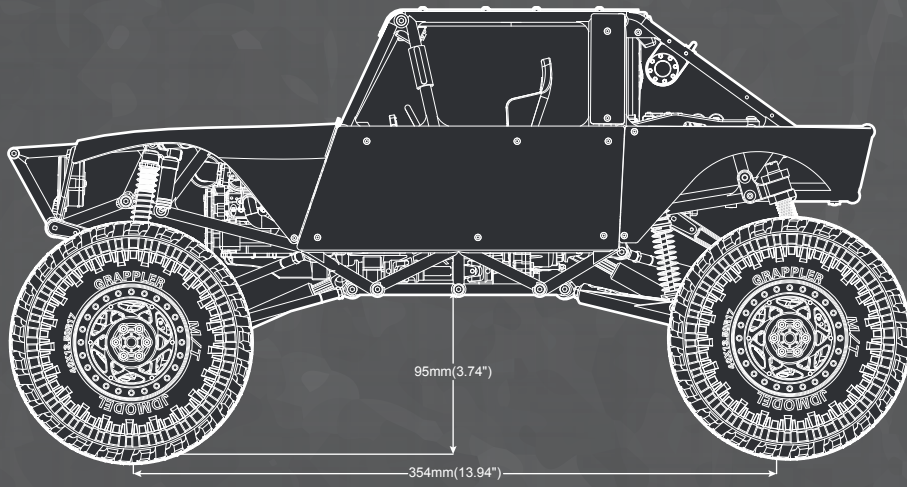
PRECISION ENGINEERED • BULLET-PROOF COMPONENTS • PERFORMANCE PARTS

For more information, upgrades and all the latest news, visit us at: rc4wd.com

RC4WD
MILLER
 MOTORSPORTS
 1/10 PRO ROCK RACER RTR



SPECIFICATIONS



MORE INFO

Miller Motorsports Transfer Case
 Ratio: 1.85:1
 Gears: Wide .8 Mod Hardened Steel Gears
 Features: 10 Bearings, Mold Nylon Transfer Case, Hardened Gears

Miller Motorsports Transmission
 Ratios: Pinion/Spur 12/14 = 1.16:1
 Internal Ratio: 17.4:1
 Gears - Wide Steel .8 Mod, 2 Speed

Miller Motorsports Axles
 Ratio: 10/26 = 2.6:1

Miller Motorsports Racer Chassis
 Features: Plastic mold chassis, High Quality Nylon+ Fiberglass

Drive Shafts
 Steel Driveshafts, Very Durable High Quality Steel Yokes

Miller Motorsports Racer Wheels
 Type: Rock Crawler 2.2" Plastic Beadlock Wheels
 Hub: 12mm Hex
 Width: 38.2mm (1.50")
 OD: 62.6mm (2.46")

Miller Motorsports Racer Dimensions
 Wheelbase: 354mm (13.94")
 Width: 299mm (11.77")
 Height: 235mm (9.25")
 Ground Clearance: 95mm (3.74")
 Final Drive Ratio: 31.93:1

PRECISION ENGINEERED · BULLET-PROOF COMPONENTS · PERFORMANCE PARTS

For more information, upgrades and all the latest news, visit us at: rc4wd.com