

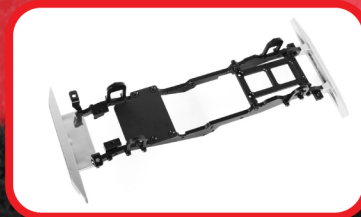


**YOUR JOURNEY BEGINS HERE**  
*Are you ready?*



## FEATURES:

- TRUE TO SCALE DESIGN AND AESTHETICS
- REALISTIC ALUMINUM LADDER FRAME CHASSIS
- R5 1/18 MINI TRANSMISSION V2
- 1/18 CAST FRONT AND REAR AXLE SET
- 4 LINK FRONT AND 4 LINK REAR SUSPENSION
- ROCK CRUSHER 1.0" MICRO CRAWLER TIRES
- STAMPED STEEL 1.0" STOCK BEADLOCK WHEELS (PLAIN)
- 9G ANALOG METAL GEAR MICRO SERVO
- THE ULTIMATE MINI SCALE SHOCKS (40MM)



Experience the versatility and advanced design of the 1/18 Gelände II for yourself. Packed full of capability, the Gelände II is ready for any challenging condition. Put your off-road driving to the test and see why the G2 is unmatched in its class!

The G2 is built with quality materials and craftsmanship. It can maneuver extreme descents and climbs with ease. The new 1/18 Mini Transmission provides power to the 1/18 Yota II Axles.

The core of the G2 is built for the true off-road enthusiast. From emergency and expedition vehicles, down and dirty off-road rigs and even daily drivers, the G2 can be customized to pull off any look you choose. The G2 delivers on performance and looks to match the driver's identity.

The G2 comes with double triangulated 4 Link-Front and Rear Suspension. The servo is mounted on the chassis out of view for a more scale appearance.

Are you ready for your off-road experience?



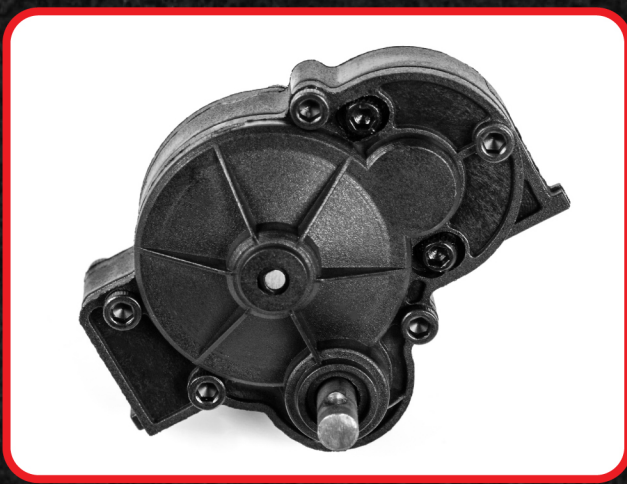
**PRECISION ENGINEERED - BULLET-PROOF COMPONENTS - PERFORMANCE PARTS**

For more information, upgrades and all the latest news, visit us at: [rc4wd.com](http://rc4wd.com)



The 1/18 G2 includes a quality 2-in-1 Micro ESC + Receiver paired with the XR2 Micro Radio system and is ready for your next scale adventure

# DRIVESHAFTS



The G2 includes the new R5 1/18 Mini Transmission V2. Packed with scale detail, the R5 features a high quality plastic exterior and heavy duty gears for durability.



The Driveshafts for the G2 feature bulletproof steel universals and a new high quality steel shaft for great driveline angles and durability on the trail.



The most scale accurate axles on the market, the RC4WD 1/18 Cast Yota II Axles feature innovative 8 degree round knuckles, unique removable diff covers, new lower mounting points and a compact offset pumpkin in the front.



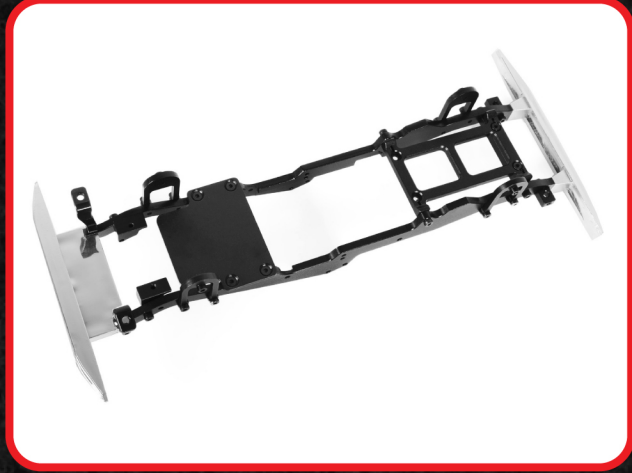
It's ALL in the box! Everything you need is provided to get you on the trails today!



The G2 Chassis features a simple front mounted electronics plate for easy mounting of the XR2 Micro ESC/Receiver combo.



The G2 includes a set of RC4WD Micro Ultimate Scale Shocks. Designed for ultimate scale looks and ultimate performance. The shocks are machined from billet aluminum and internally sprung.



The G2 Chassis is built from a quality design and features a machined billet aluminum ladder frame, 4 link suspension setup, scale shock hoops, chassis servo mounts, and hard body mounting points.



The Gelande II Black Hawk comes with a set of Plain Stamped Steel 1.0" Stock Beadlock Wheels. These feature a shiny clear coat finish, aluminum internal locking ring, and popular 6-lug design.



Every Gelande II needs a tough set of rock crawling tires and our Rock Crusher 1.0" Micro Crawler Tires are just that! Made from our advanced X3 soft compound, these tires deliver on both performance and scale look.

# SUPERSTESION



The G2 features the Black Hawk Scale Body Set. The Black Hawk body has an awesome assortment of scale details including chrome decals for the mirrors, door handles, vents and detailed grille to match the 1:1 vehicle.

# THE DETAILS



Inspired by a classic, the Black Hawk Body Set closely resembles an iconic 4x4 from the past.



The Black Hawk Body Set is made of durable molded hard plastic, painted in a striking School Bus Yellow, and has a simple but realistic appearance.



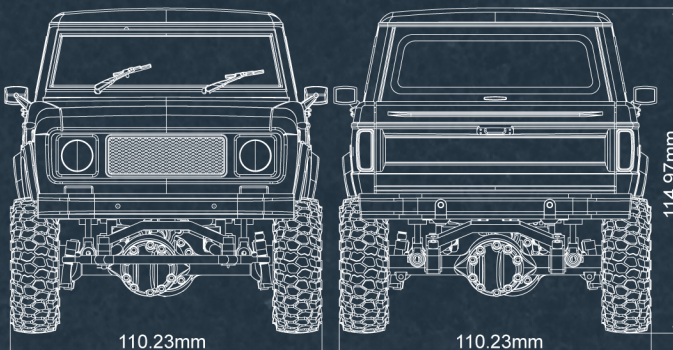
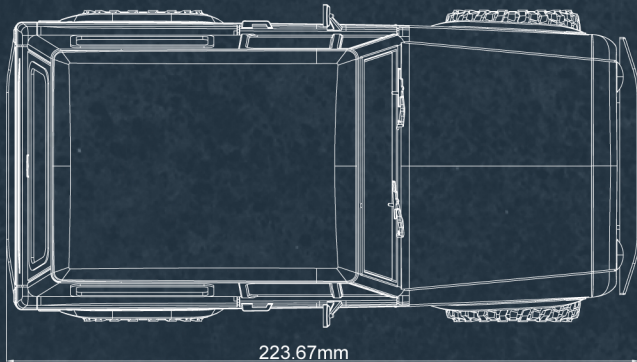
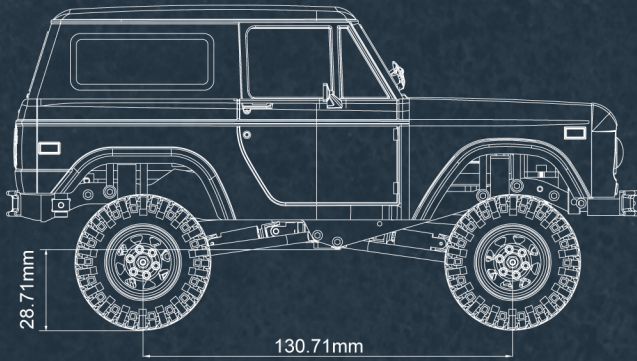
The Black Hawk Body Set features a full detailed interior including a steering wheel, seats, gear shifter, handbrake and a detailed dashboard. It's all here to bring your build to the next level.



The crisp lines and subtle styling are all captured with the model. Detailed aesthetics are included like clear front lenses for signal lights.



# SPECIFICATIONS



### All New R5 1/18 Mini Transmission V2

Total Gear Ratio: 5.5 : 1  
Pinion Gear: 55P 10T  
Gear Material: Hardened Brass and Steel  
Case Material: Plastic Injection Molded

### All New 1/18 Cast Yota II Axles

Ratio: 2.55 : 1  
Width at Hex : 92mm  
Case Material: Zinc Alloy

### G2 Suspension

Double Triangulated 4 Link Front and Rear Suspension

### Shock Absorbers

Ultimate 40mm Scale Shocks - Can not be Oil Filled

### Wheels

Type: Stamped Steel 1.0"  
Stock Beadlock Wheels (Plain)  
Hub: 7mm Hex  
Width: 7mm  
Back Spacing: 7mm

### Bumpers

Machined Billet Aluminum, Light Weight

### G2 Truck Dimensions

Wheelbase: 130.71mm (5.15")  
Length: 223.67mm (8.81")  
Width: 110.23mm (4.34")  
Height: 114.97mm (4.53")  
Ground Clearance: 28.71mm (1.13")  
Final Drive Ratio: 112 : 1  
Weight: 1.14lbs / 0.52kg