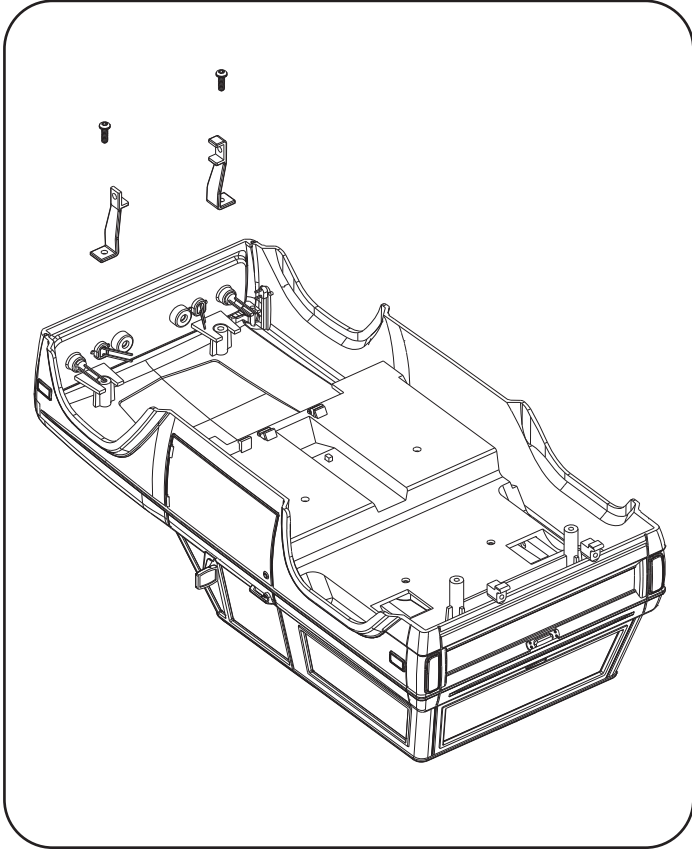


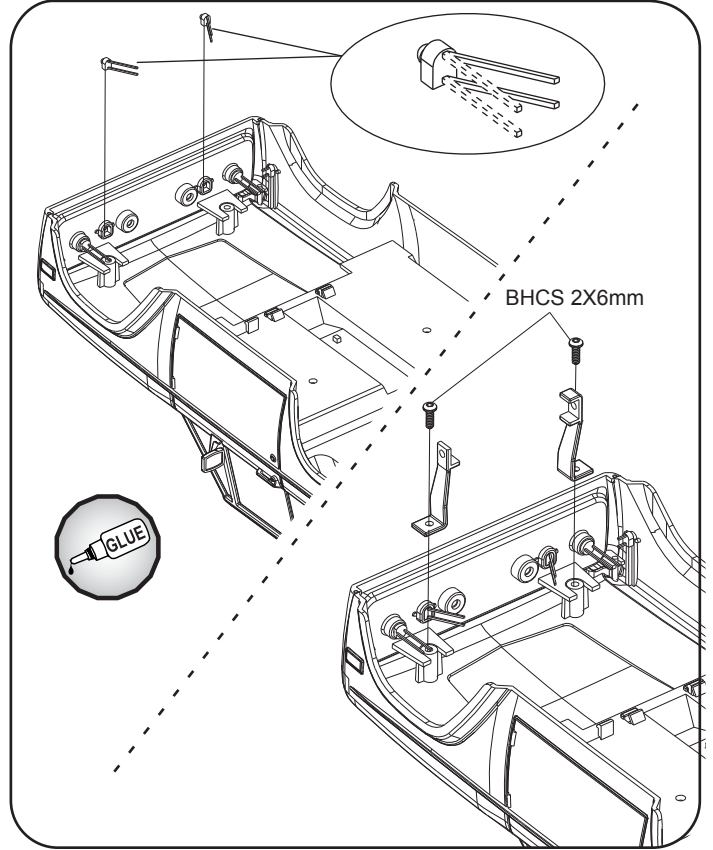


LED Light Kit for 1/18 BlackJack Body

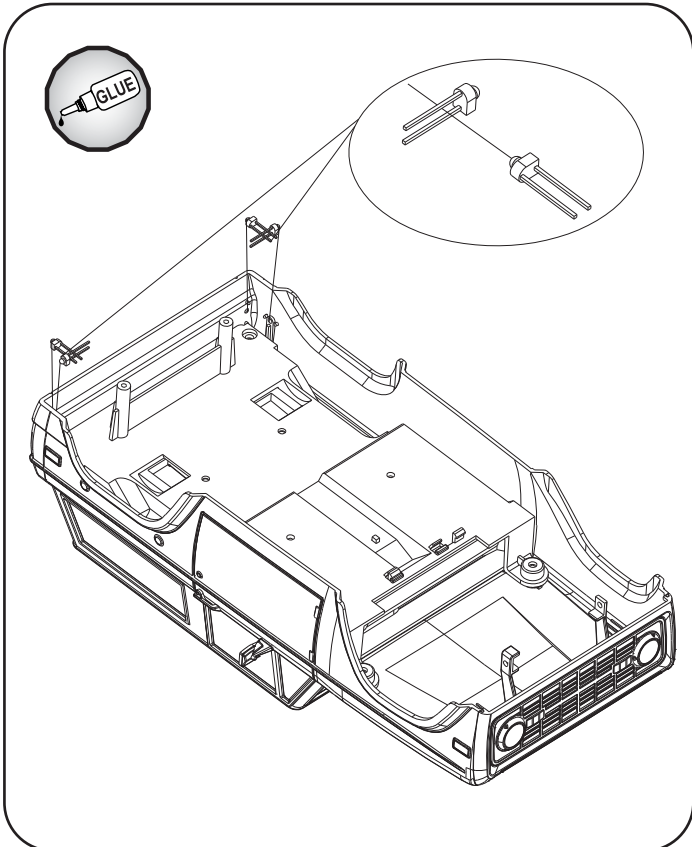
Step 1. Remove the front body posts



Step 2. Bend the LED posts inward for the marker lights at a 60 degree angle



Step 3. Use caution when installing LEDs in this location. The posts may need to be bent to make clearance



Step 4. Completed Assembly

