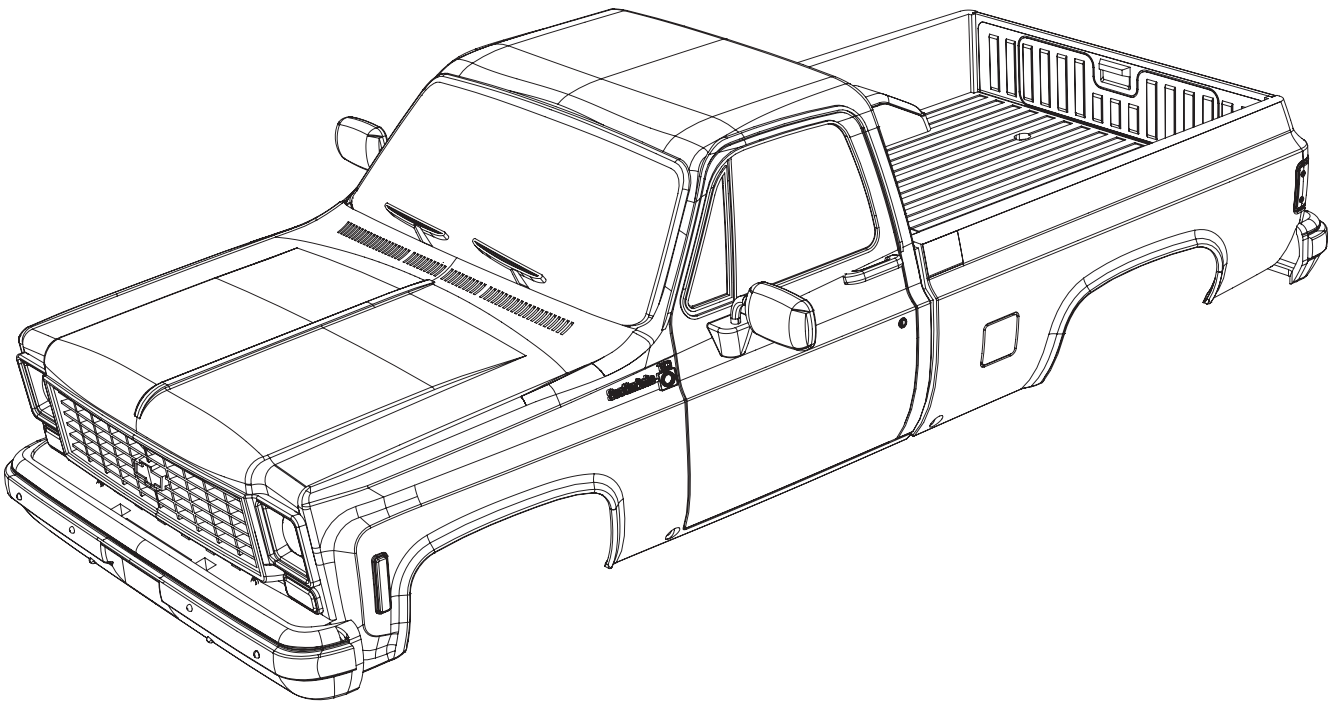


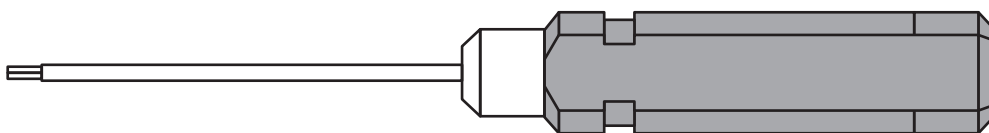
RC4WD CHEVROLET K10 SCOTTSDALE HARD BODY COMPLETE SET



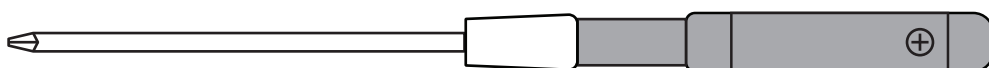
OFFICIAL
LICENSED PRODUCT



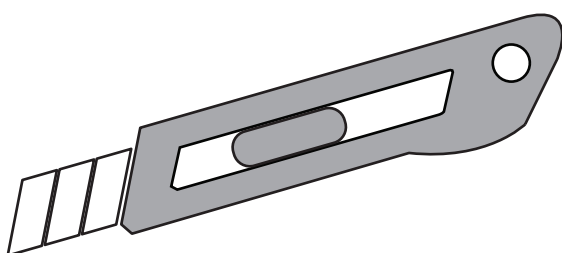
Recommended Tools



Hex Drivers (1.5mm, 2.0mm)



2.0mm Phillips Screw Driver



Trim with Hobby Knife



Glue

Tips for Assembly

Use good quality hex drivers to avoid stripping screw heads.

Use thread lock when putting metal screws into metal parts.

Do not over tighten screws otherwise you may strip the thread.

Warning: For best results use a non whitening or foam safe CA glue where glue is needed.

Warranty

RC4WD non-electrical products are warranted to be free of defects in materials and workmanship when new. Our limited warranty does not cover damages due to normal wear and tear, user error of assembly or installation, user modifications, user's failure to perform routine maintenance, addition of aftermarket parts or option parts. This warranty lasts 30 days after arrival for original purchaser.

In the event of a defect under this warranty, RC4WD will, at our discretion, replace the product, provided our inspection indicates that an original defect exists. RC4WD reserves the right to replace any product which is no longer available with a product of comparable value and function. If RC4WD determines the repair is not covered under warranty guidelines, we will contact you to discuss your options. If you have any questions, please contact us via email at support@rc4wd.com.

RC4WD warrants its electronics for 30 days from date of arrival. This covers all electrical items except items that are already noted on the individual product page.

Los productos no eléctricos RC4WD están garantizados como libres de defectos en materiales y mano de obra cuando son nuevos. Nuestra garantía limitada no cubre los daños debidos al desgaste normal, a errores de montaje o instalación por parte del usuario, a modificaciones del usuario, a la falta de mantenimiento rutinario por parte del usuario, a la adición de piezas de recambio o a piezas opcionales. Esta garantía dura 30 días después de la fecha de entrega para el comprador original.

En el caso de un defecto bajo esta garantía, RC4WD, a nuestra discreción, reemplazará el producto, siempre que nuestra inspección indique que existe un defecto original. RC4WD se reserva el derecho de sustituir cualquier producto que ya no esté disponible por otro de valor y función comparables. Si RC4WD determina que la reparación no está cubierta por la garantía, nos pondremos en contacto con usted para discutir sus opciones. Si tiene alguna pregunta, por favor contáctenos por correo electrónico a support@rc4wd.com.

RC4WD garantiza su electrónica por 30 días a partir de la fecha de entrega. Esto cubre todos los artículos eléctricos, excepto los que ya están anotados en la página del producto individual.

Les produits non électriques RC4WD sont garantis comme étant exempts de défauts de matériaux et de fabrication lorsqu'ils sont neufs. La garantie limitée ne couvre pas les dommages dus à l'usure normale, aux erreurs de montage ou d'installation de l'utilisateur, aux modifications apportées par l'utilisateur, au défaut d'entretien courant de l'utilisateur, à l'ajout de pièces de rechange ou de pièces optionnelles. Cette garantie dure 30 jours à compter de la date d'arrivée de l'acheteur initial.

En cas de défaut au titre de cette garantie, RC4WD remplacera, à notre discrétion, le produit, à condition que notre inspection indique qu'il s'agit d'un défaut d'origine. RC4WD se réserve le droit de remplacer tout produit indisponible par un produit de valeur et de fonction comparables. Si RC4WD détermine que la réparation n'est pas couverte par les directives de garantie, nous vous contacterons pour discuter des possibilités qui s'offrent à vous. Si vous avez des questions, veuillez nous contacter par courriel à support@rc4wd.com.

RC4WD garantit ses appareils électroniques pendant 30 jours à compter de la date d'arrivée. Cette garantie couvre tous les articles électriques, à l'exception de ceux qui sont déjà mentionnés sur la page de chaque produit.

Alle RC4WD, nicht elektrischen Produkte“ sind garantiert frei von Materialfehlern durch die Produktion und Verarbeitung. Die Garantie deckt nicht Schäden aufgrund normaler Abnutzung, Benutzerfehler bei der Montage oder Installation, Änderungen durch den Benutzer, unterlassen der routinemäßigen Wartung durch den Benutzer, hinzufügen von Fremdteilen oder Optionsteile. Diese Garantie beträgt 30 Tage nach Kauf und Erhalt der Ware durch den Käufer. Im Falle eines Mangels im Rahmen dieser Garantie, wird RC4WD nach Ermessen und sofern nach einer Kontrolle ein ursprünglicher Defekt vorliegt, das Produkt austauschen.

RC4WD behält sich das Recht vor, Produkte die nicht mehr erhältlich sind, mit einem gleichwertigem Produkt mit vergleichbarer Funktion zu tauschen.

Wenn die Reklamation nicht mehr unter der Garantie fällt, wird Sie RC4WD für weitere Lösungen kontaktieren. Bei Fragen kontaktieren Sie uns bitte per E-Mail unter support@rc4wd.com.



Instruction Manual Symbols Key



CA Glue



E6000 Glue



Remove



Trim with Hobby Knife



Cut with Scissors



Build Right and Left



Paint



Repeat or Build Multiple



Build Front and Rear



Attention

Tips for Assembly

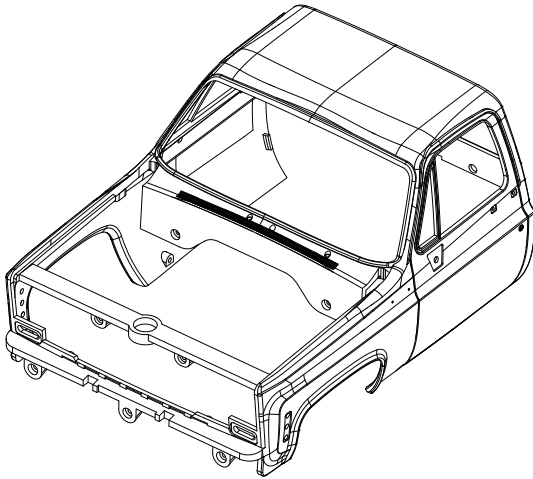
- Use good quality hex drivers to avoid stripping screw heads.
- Open kit bags in order of assembly steps.
- Use “Step” index for quantity and size of hardware to be used for assembly.
- Do not over tighten screws.
- Use thread lock sparingly on metal parts.

Recommendations for building your RC4WD Chevrolet K10 Scottsdale Hard Body Complete Set

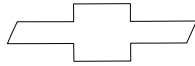
1. Carefully remove all parts from bags and sort them. Make sure to use threadlock on all screws in aluminum.
2. Do not over-tighten screws. Stripping screw heads and holes during assembly can happen if you are using too much force.



Part List



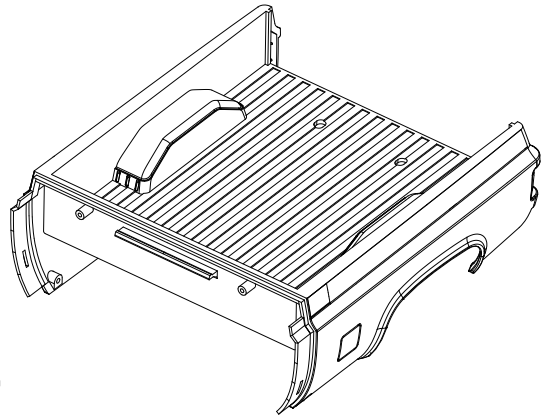
Z-B0264



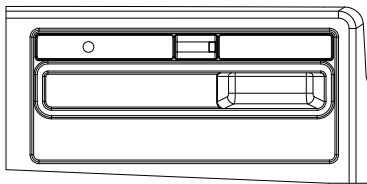
500-0087

CHEVROLET

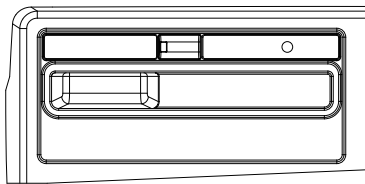
500-0086



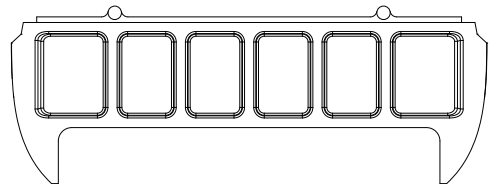
Z-B0265



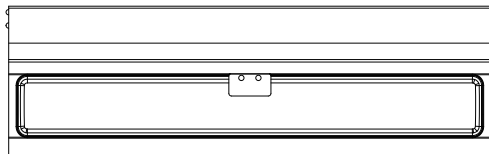
Z-B0266-1



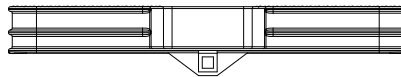
Z-B0266-2



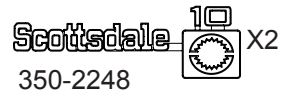
Z-B0266-3



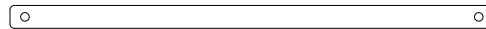
Z-B0266-4



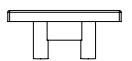
Z-B0023



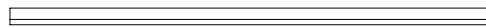
350-2248



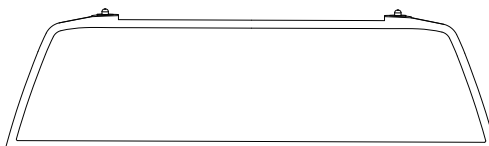
Z-B0266-5



Z-B0268-7



Z-B0266-6



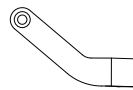
Z-B0267



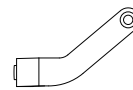
Z-B0268-1



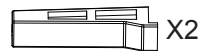
Z-B0268-2



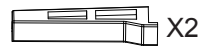
Z-B0268-3



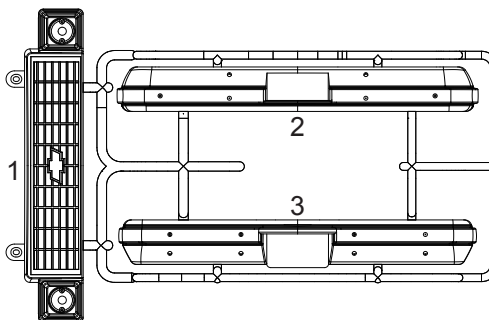
Z-B0268-4



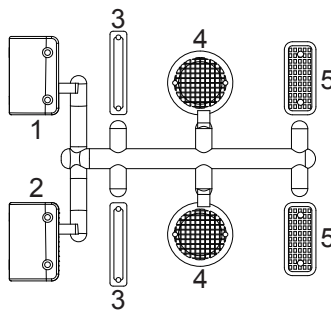
Z-B0268-6



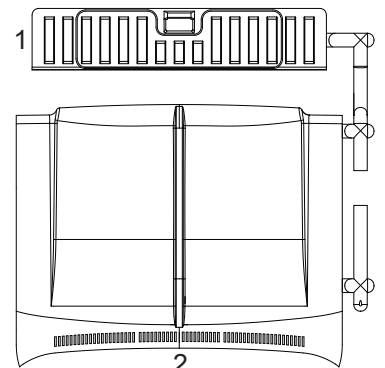
Z-B0268-5



Z-B0094



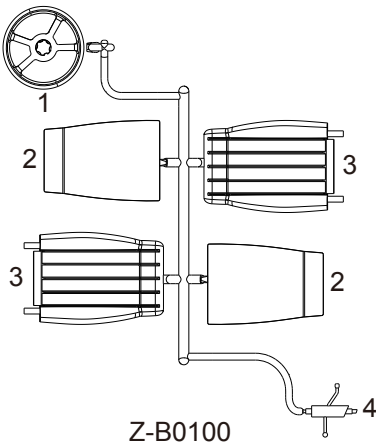
Z-B0096



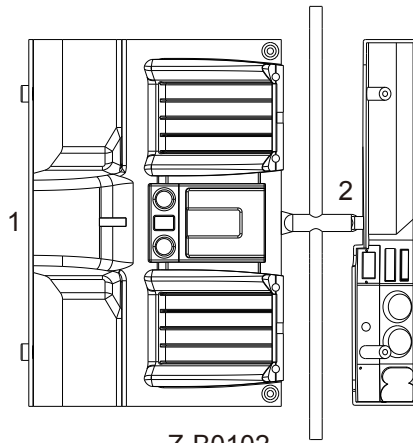
Z-B0098



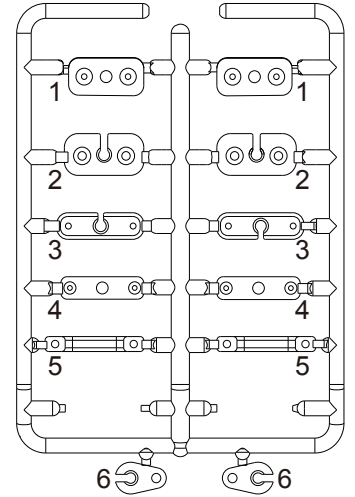
Part List



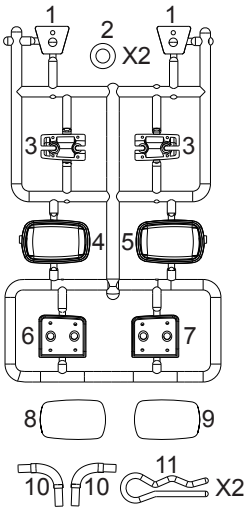
Z-B0100



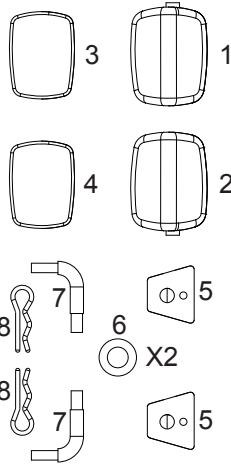
Z-B0102



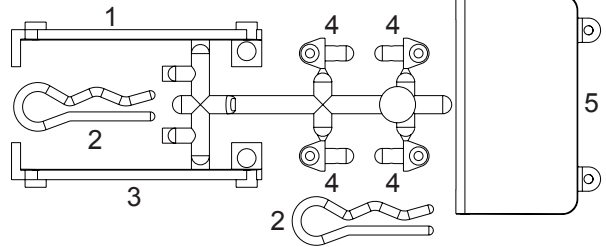
Z-B0104



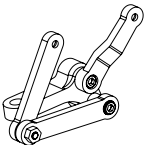
Z-B0106



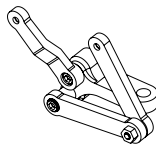
Z-B0021



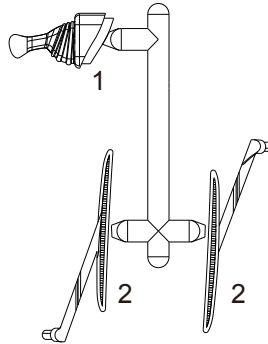
Z-B0112



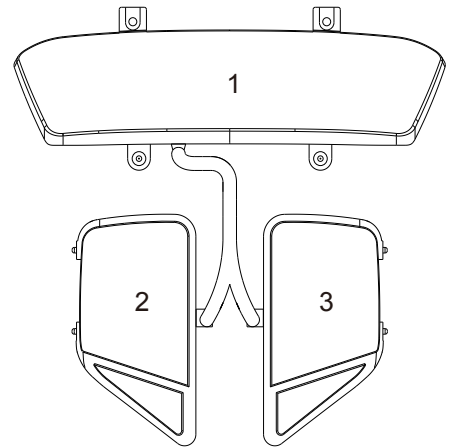
Z-S1564-1



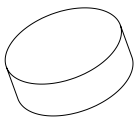
Z-S1564-2



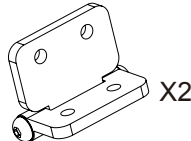
Z-B0108



Z-B0114



Z-S1562



Z-S1564-3



Z-S1574
M3 x 6mm BHSTS



Z-S1576
M3 x 8mm BHSTS



Z-S1578
M3 x 10mm BHSTS



Z-S1691
M3 x 12mm BHSTS



Z-S1566
M1.4 x 8mm FHSTS



Z-S1586
M1.6 x 6mm FHSTS



Z-S1568
M3 x 10mm FHSTS



SHSTS
M1.6 x 5mm



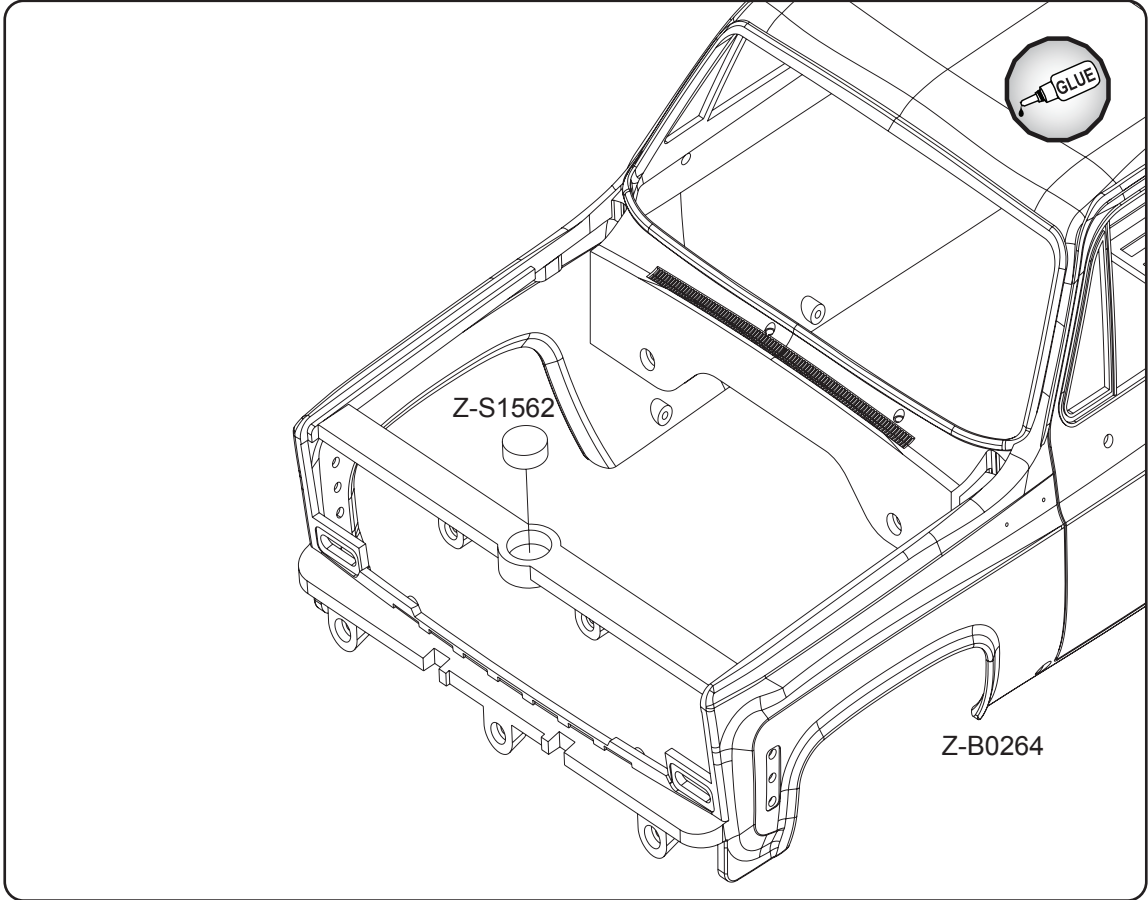
SHSTS
M2 x 4mm



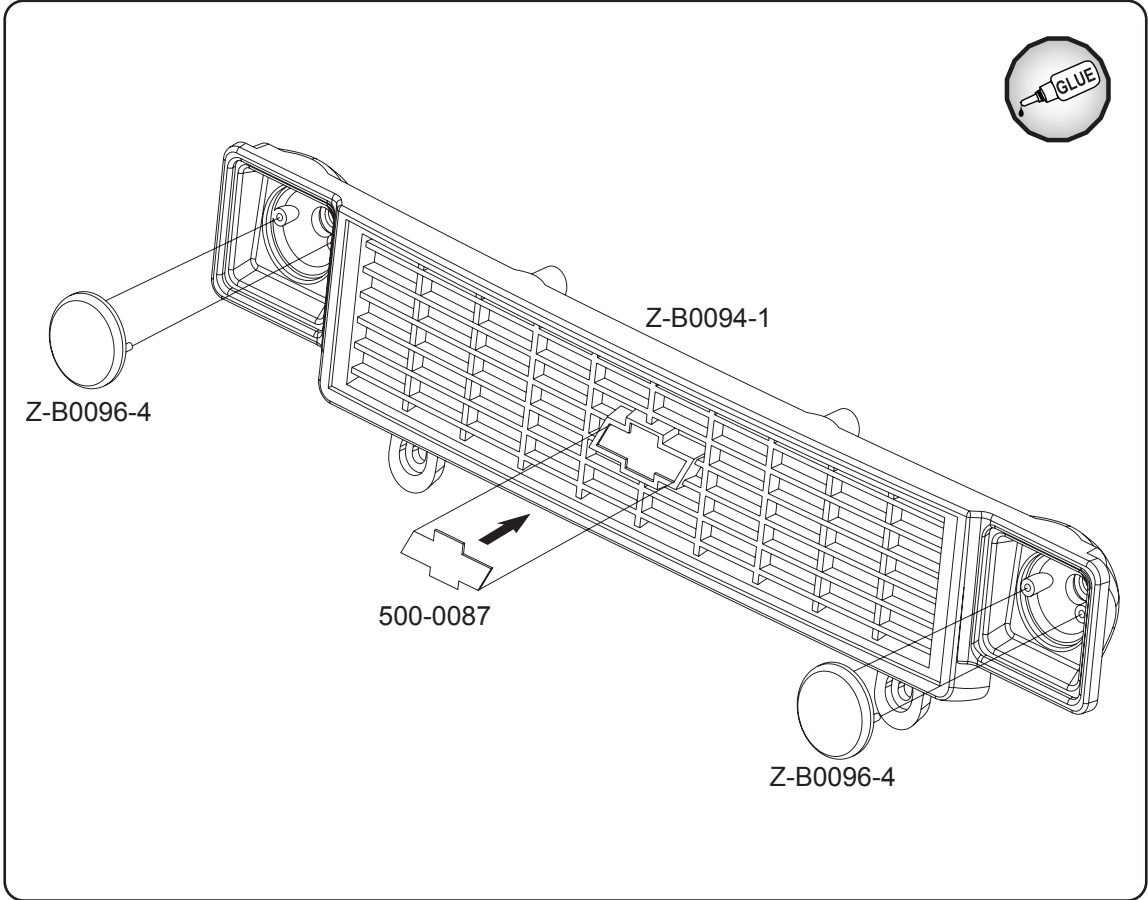
Z-S1584
M2 x 6mm SHSTS




RC4WD
Step 1

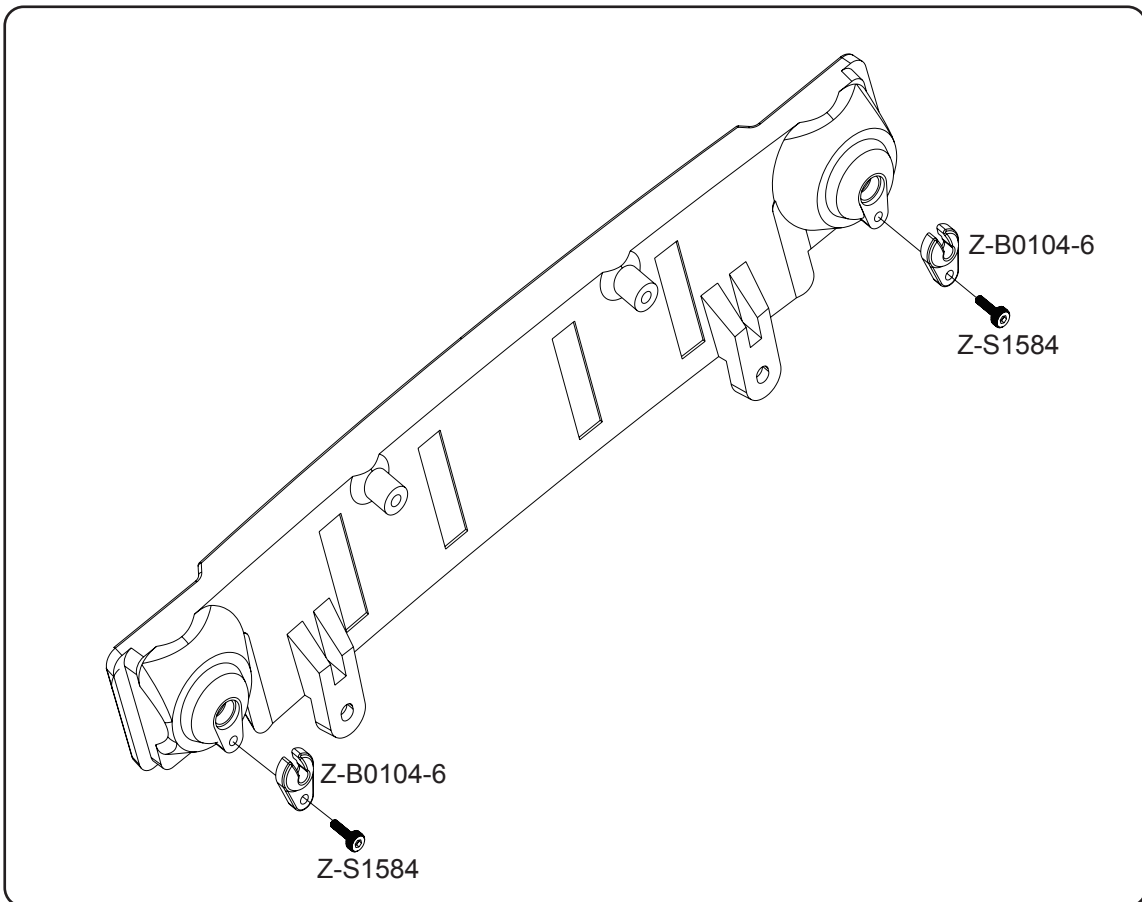


RC4WD
Step 2



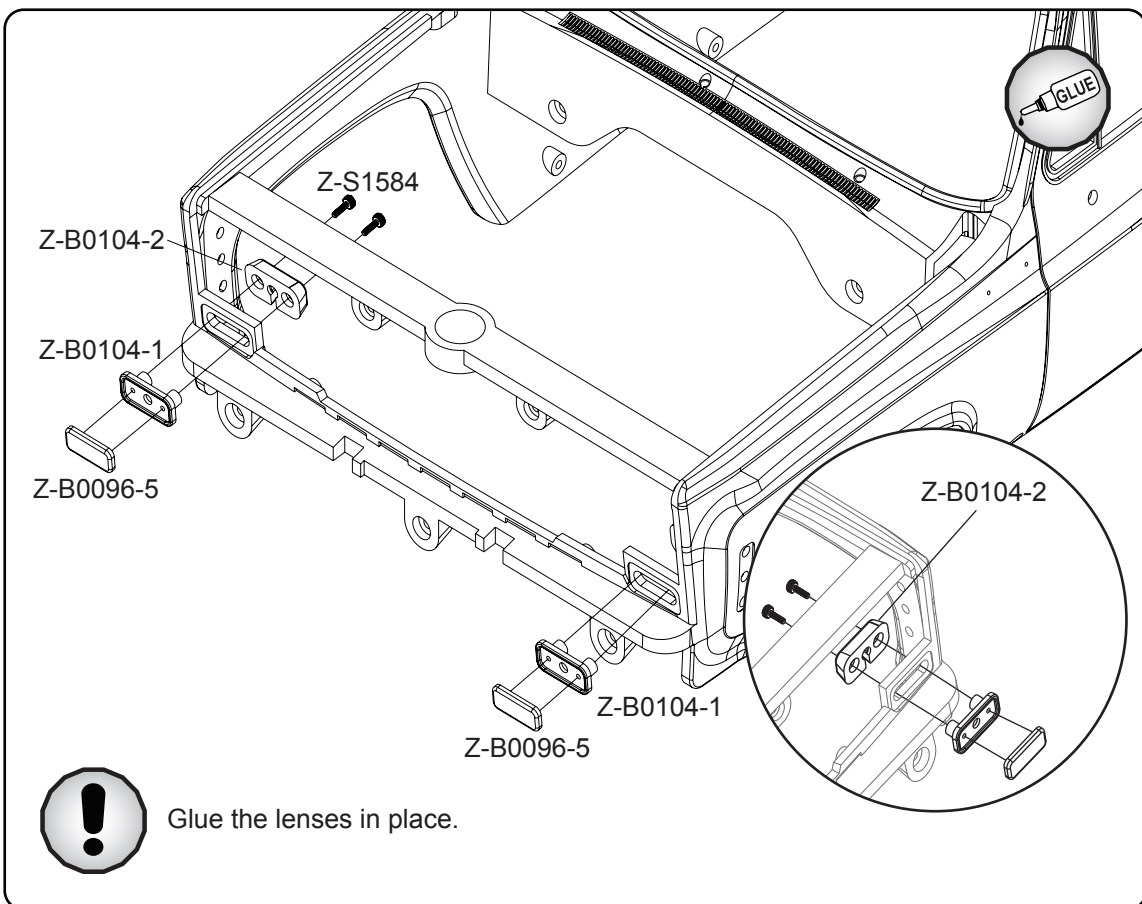
RC4WD
Step 3

 X2
Z-S1584
M2 x 6mm SHSTS



RC4WD
Step 4


 X4
Z-S1584
M2 x 6mm SHSTS



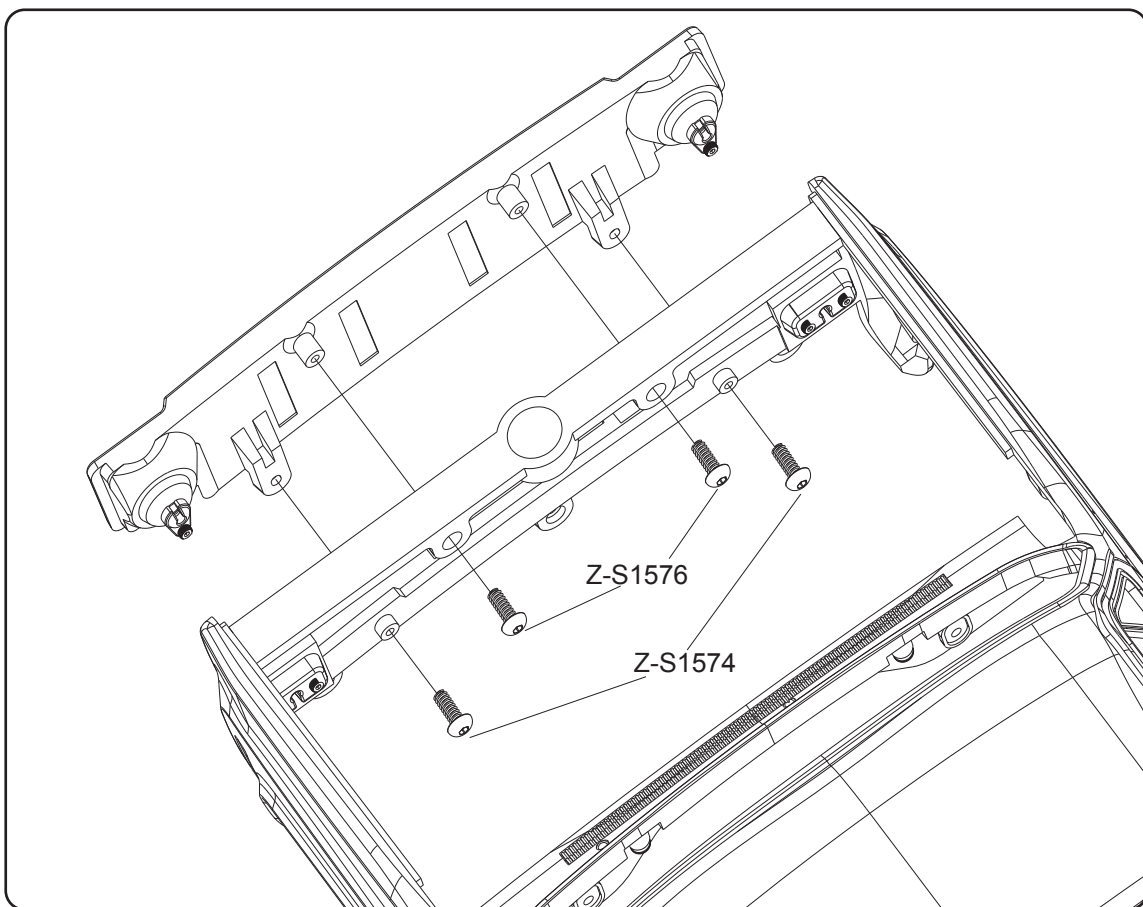
Glue the lenses in place.



RC4WD
Step 5

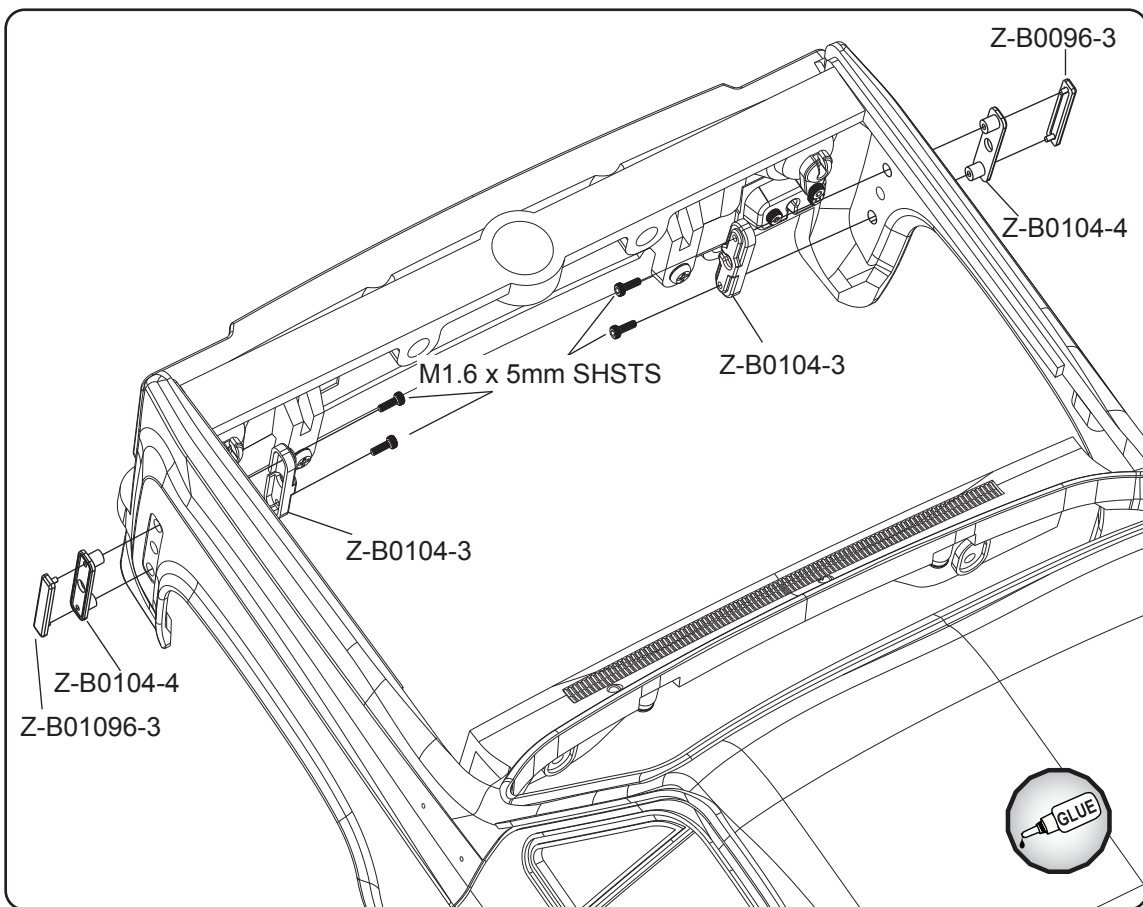
 X2
Z-S1574
M3 x 6mm BHSTS

 X2
Z-S1576
M3 x 8mm BHSTS




RC4WD
Step 6

 X4
SHSTS
M1.6 x 5mm

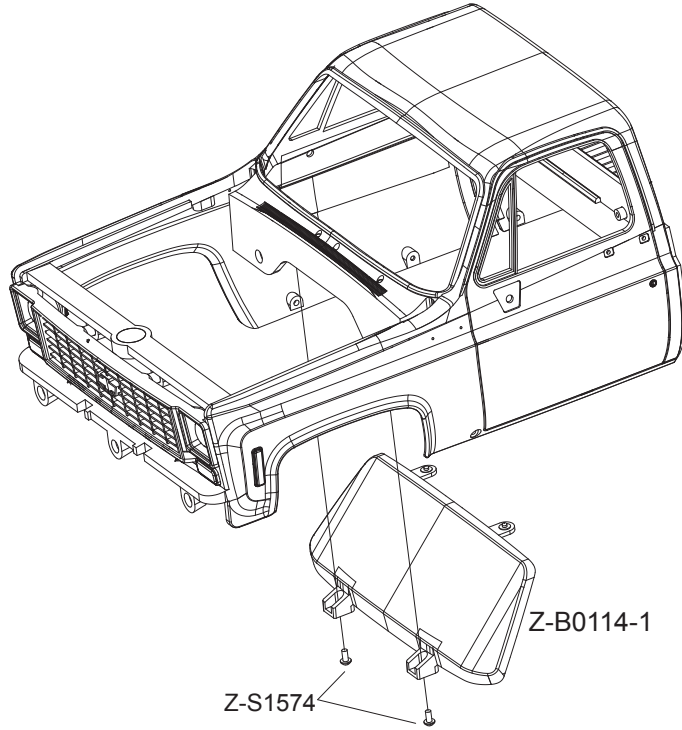


RC4WD Step 7

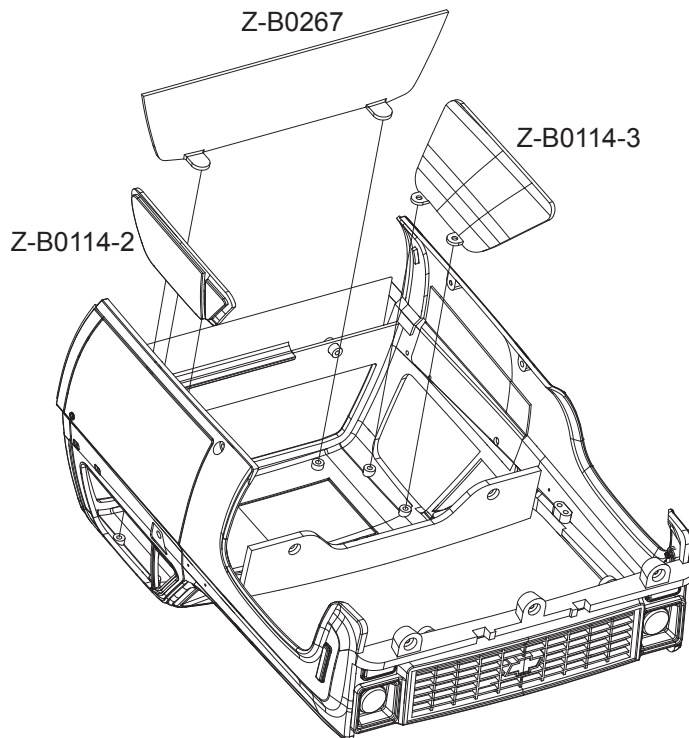
 X2
Z-S1574
M3 x 6mm BHSTS



Upper posts can be glued for permanent installation, but it's not required.



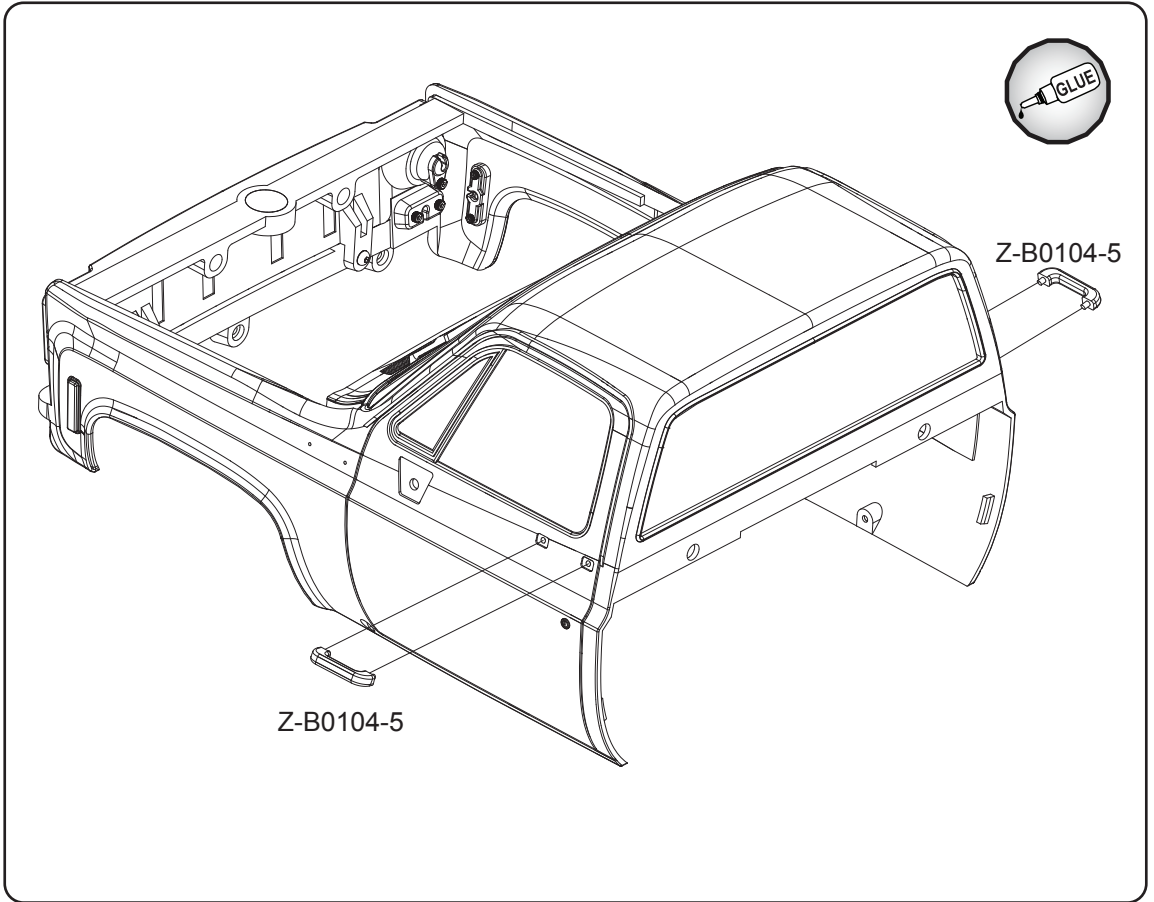
RC4WD Step 8



Side windows snap into place. Some force may be required. Rear window will require glue. E6000 is recommended.



RC4WD
Step 9



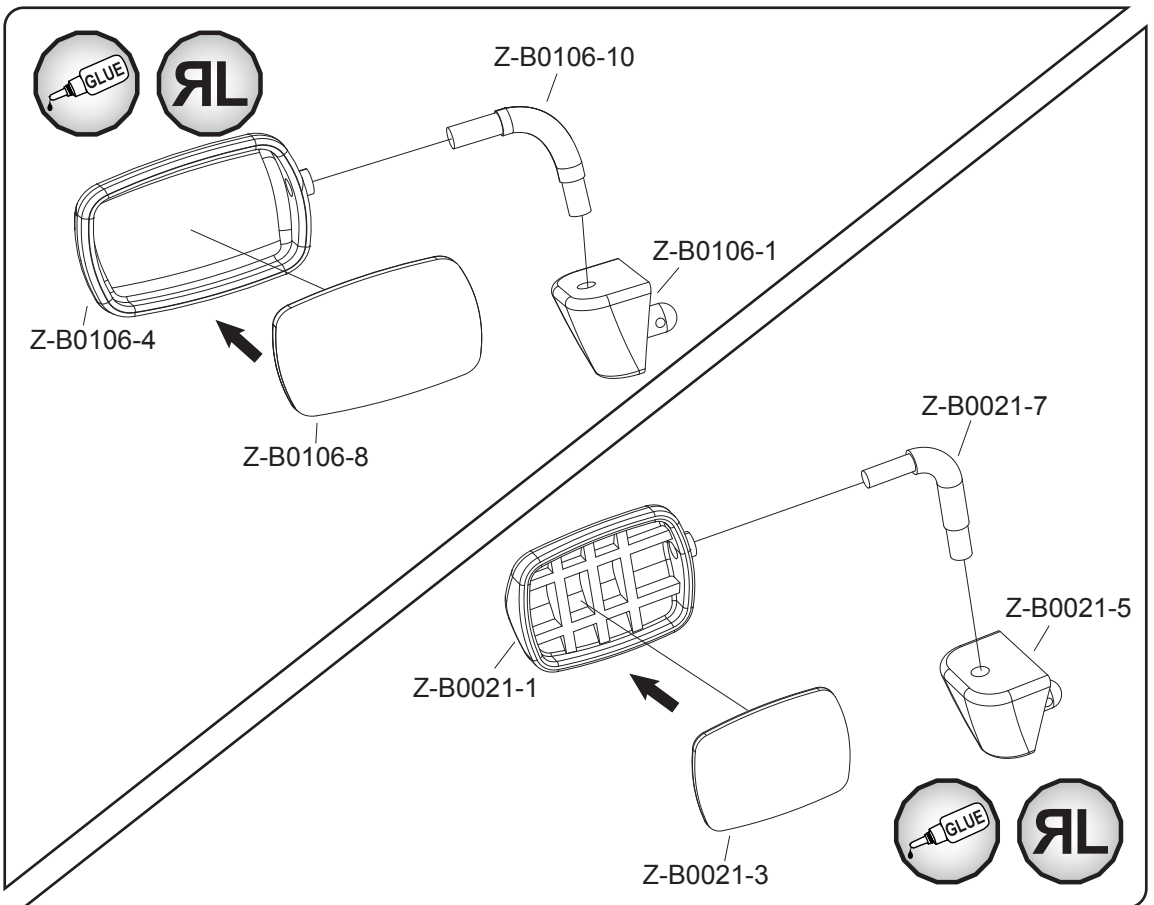
RC4WD
Step 10

Customize the look of your Chevrolet K10 with two side mirror options to match your style.

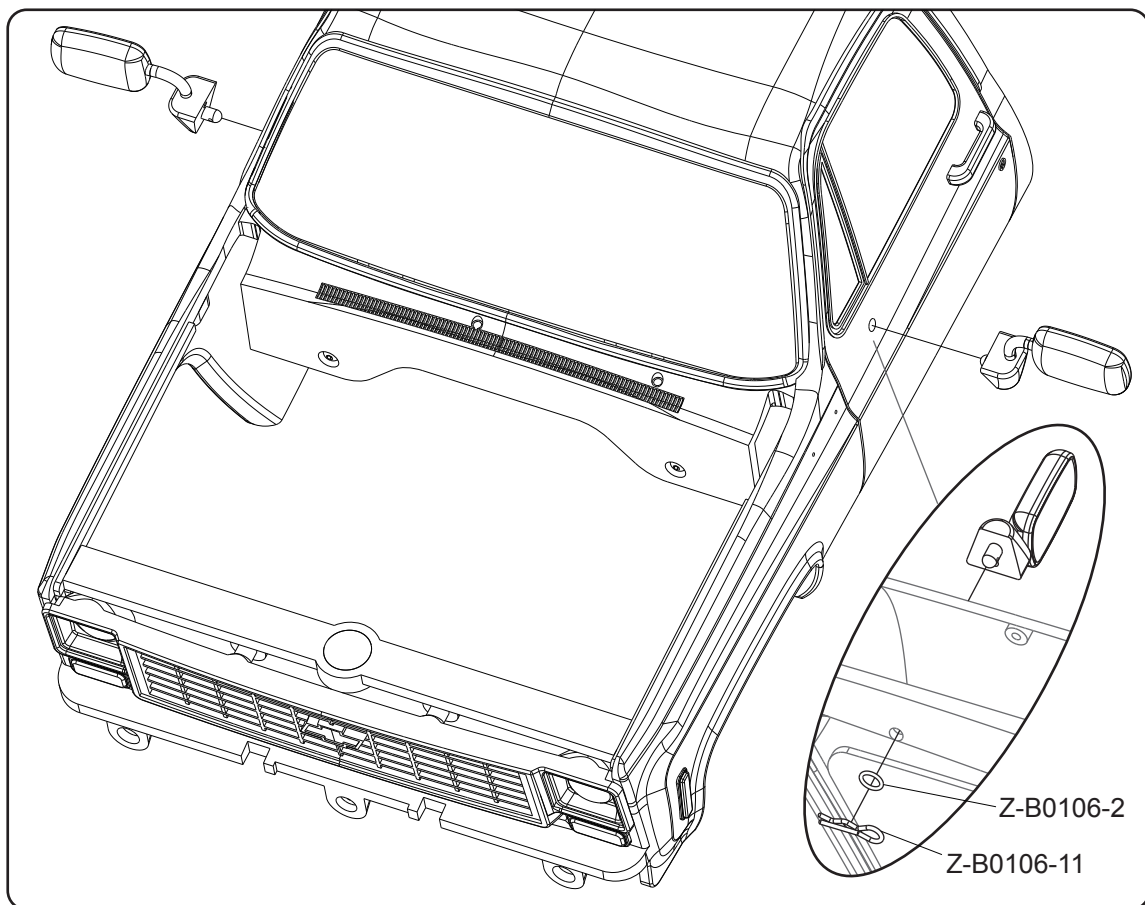
Personaliza la apariencia de tu Chevrolet K10 con dos opciones de espejos laterales para combinar con tu estilo.

Personnalisez l'apparence de votre Chevrolet K10 grâce à deux options de rétroviseurs latéraux qui correspondent à votre style.

Passen Sie den Look Ihres Chevrolet K10 mit zwei verschiedenen Außenspiegeloptionen an Ihren Stil an.

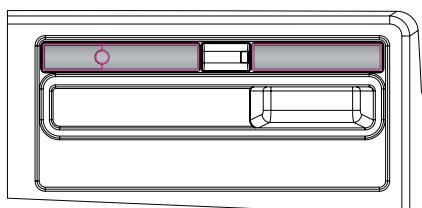


RC4WD
Step 11

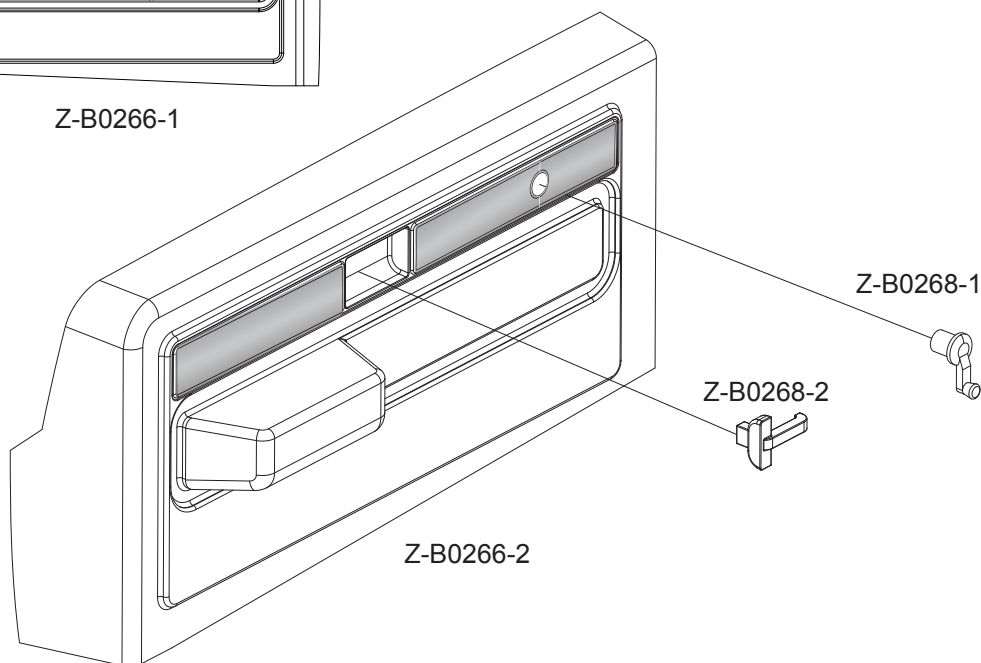


RC4WD
Step 12

Please install the sticker first, then the door handle.



Z-B0266-1



Z-B0268-1

Z-B0268-2

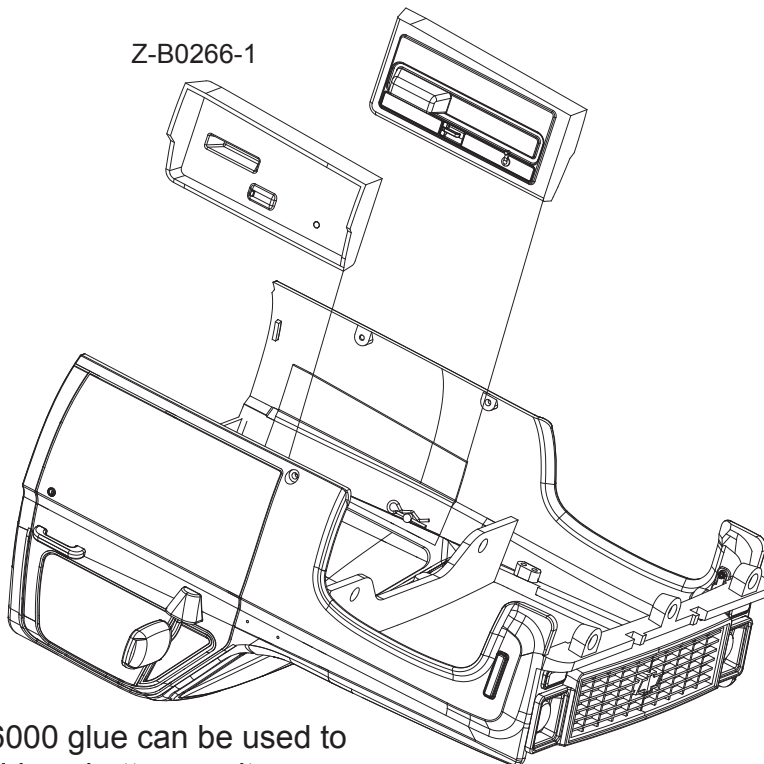
Z-B0266-2



RC4WD
Step 13

Z-B0266-2

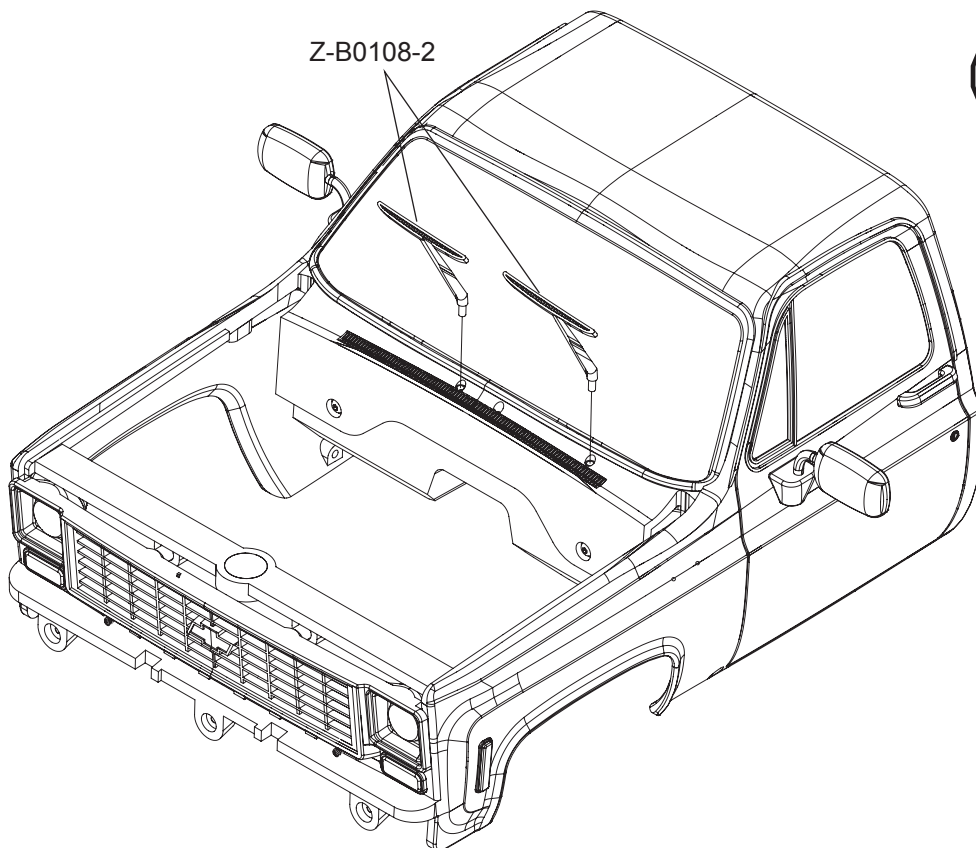
Z-B0266-1



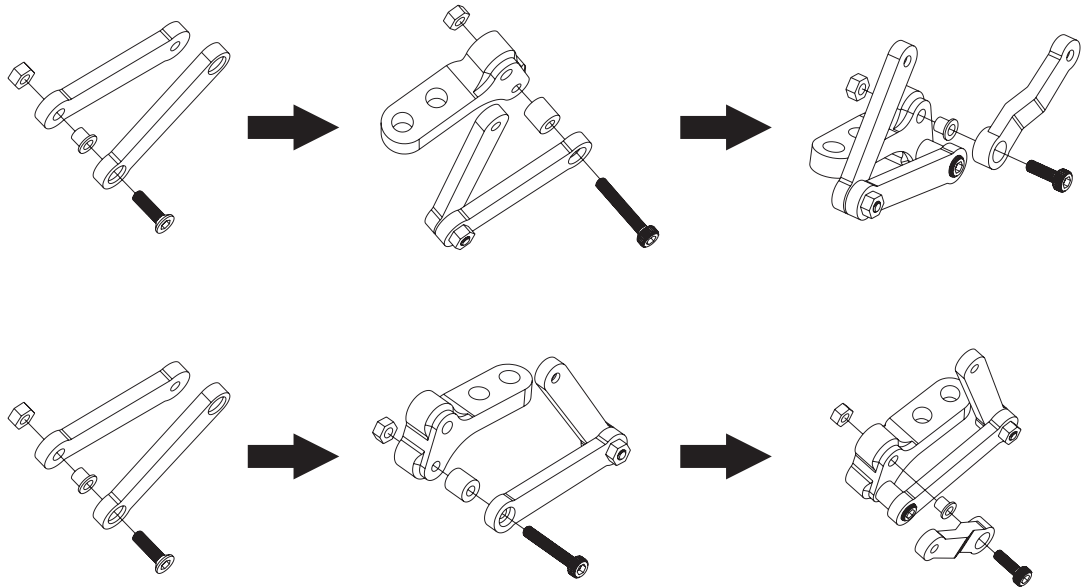
E6000 glue can be used to achieve better results.

RC4WD
Step 14

Z-B0108-2



RC4WD
Step 15

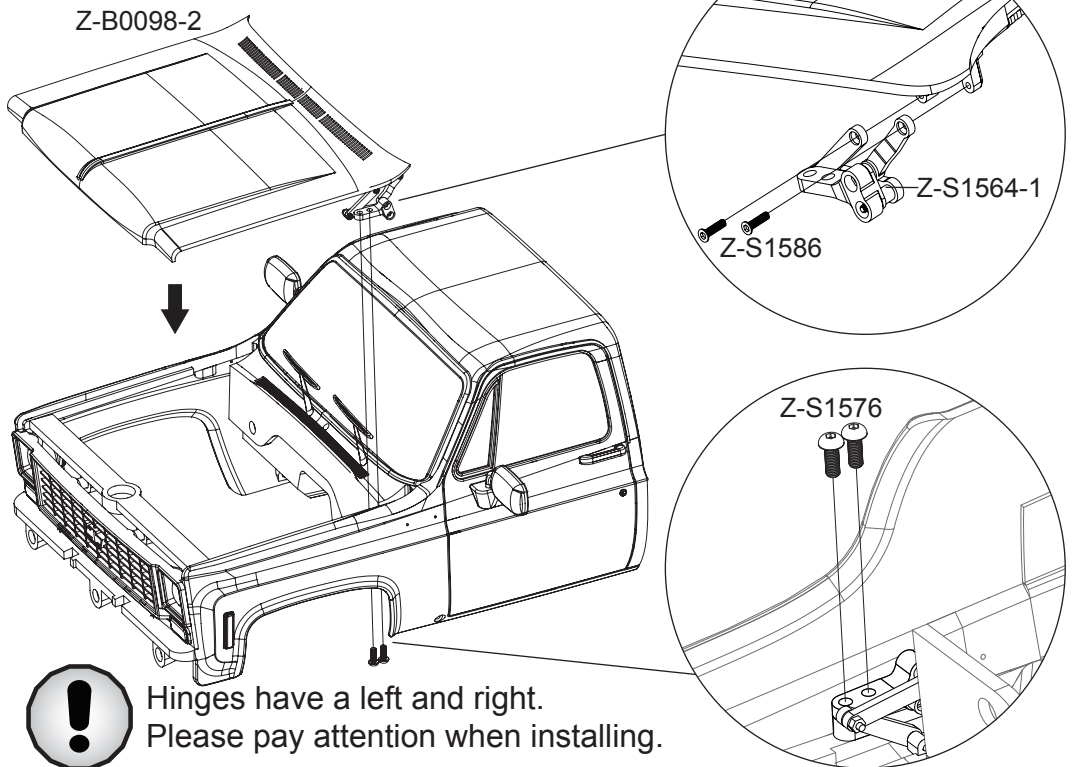


The hood hinges come pre-assembled.
This step shows how they are assembled.

RC4WD
Step 16

 X2
Z-S1586
M1.6 x 6mm FHSTS

 X2
Z-S1576
M3 x 8mm BHSTS




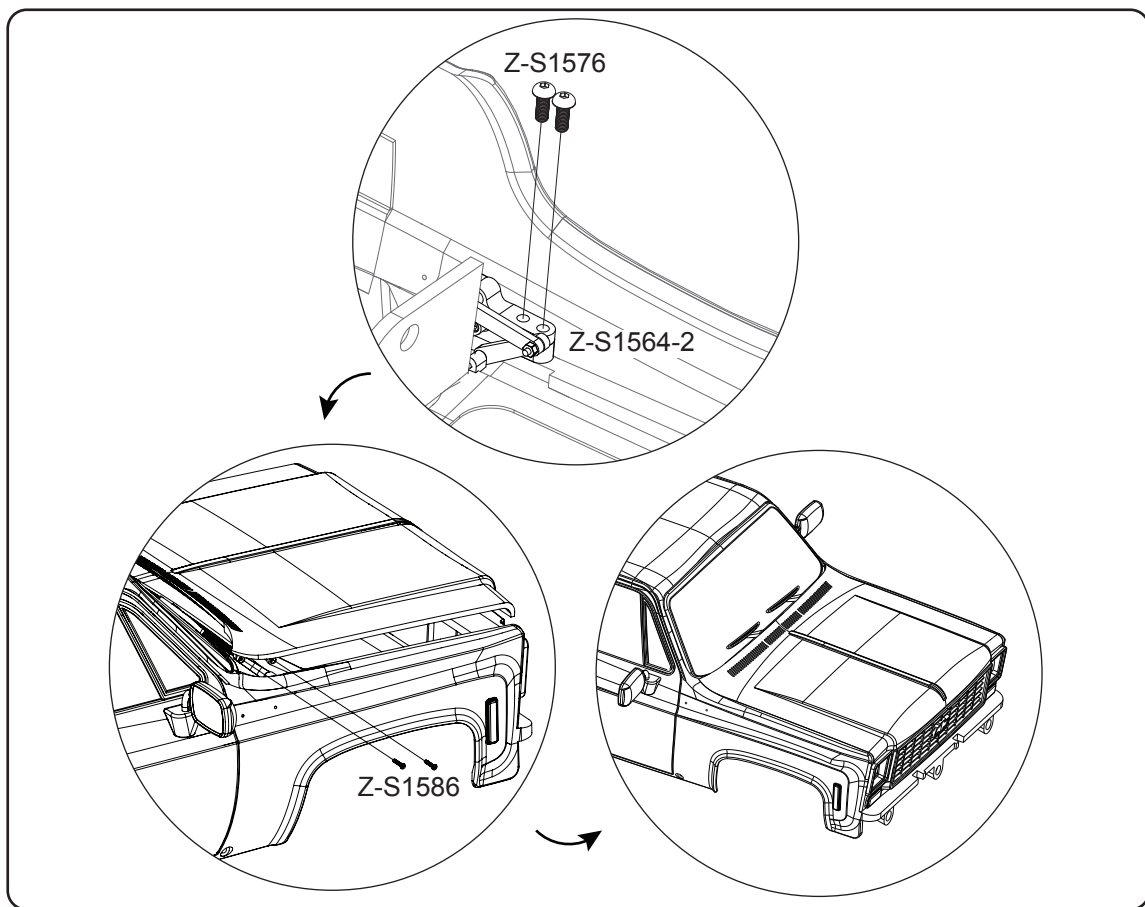
Hinges have a left and right.
Please pay attention when installing.



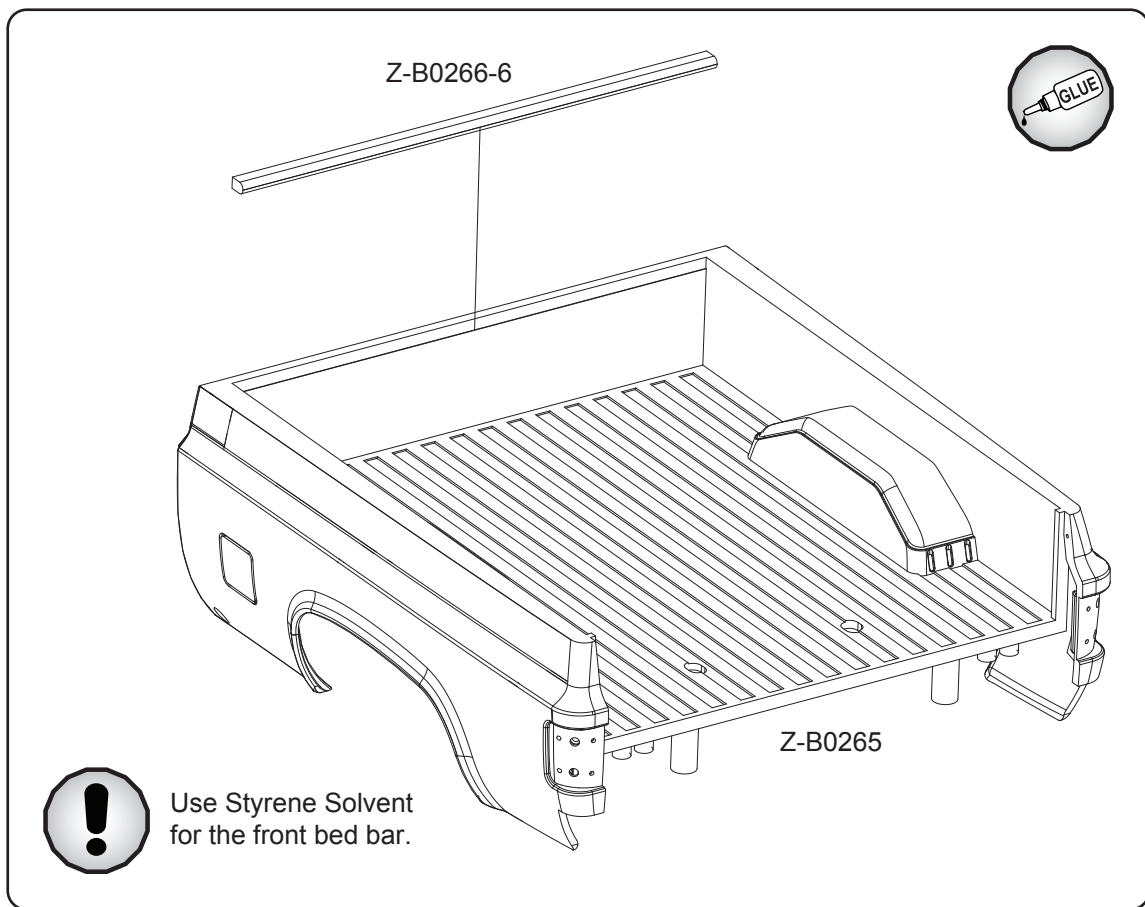
RC4WD Step 17

 X2
Z-S1576
M3 x 8mm BHSTS

 X2
Z-S1586
M1.6 x 6mm FHSTS



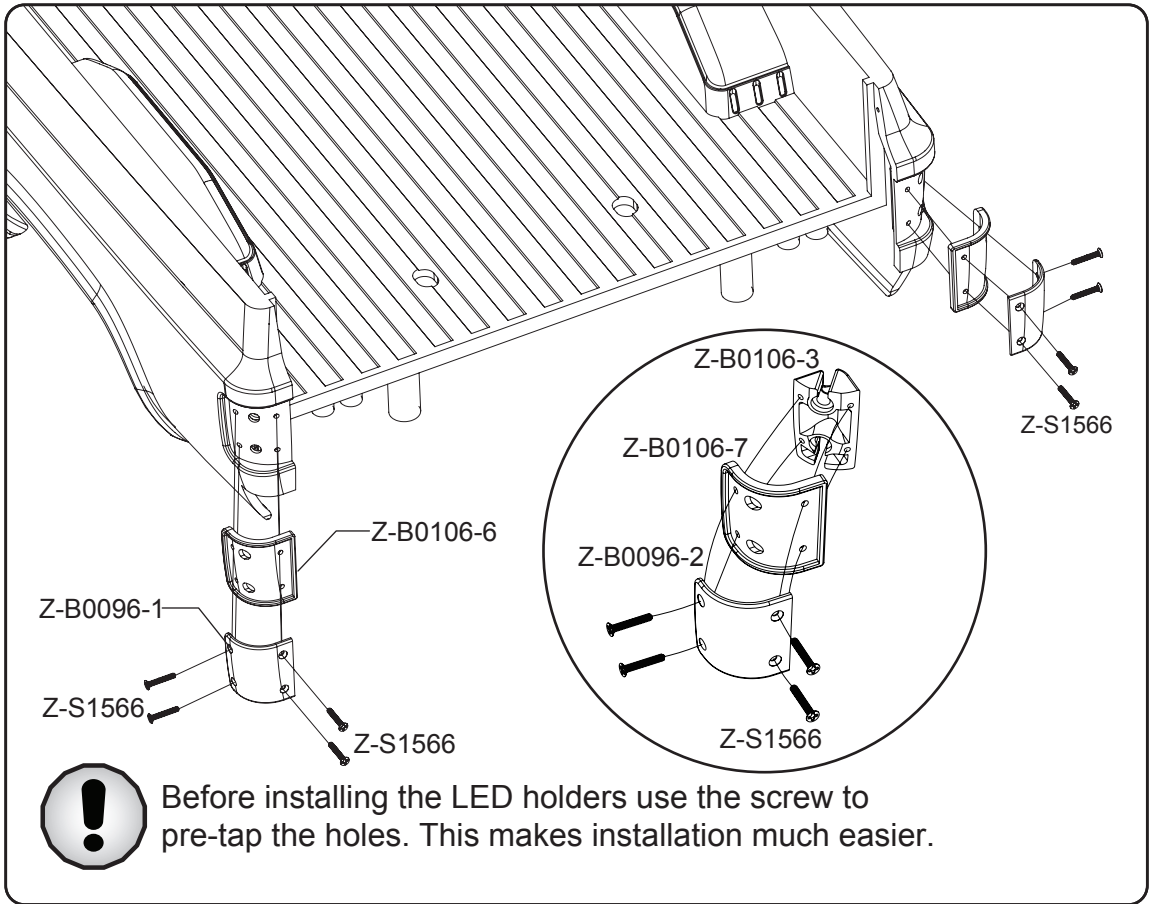
RC4WD Step 18



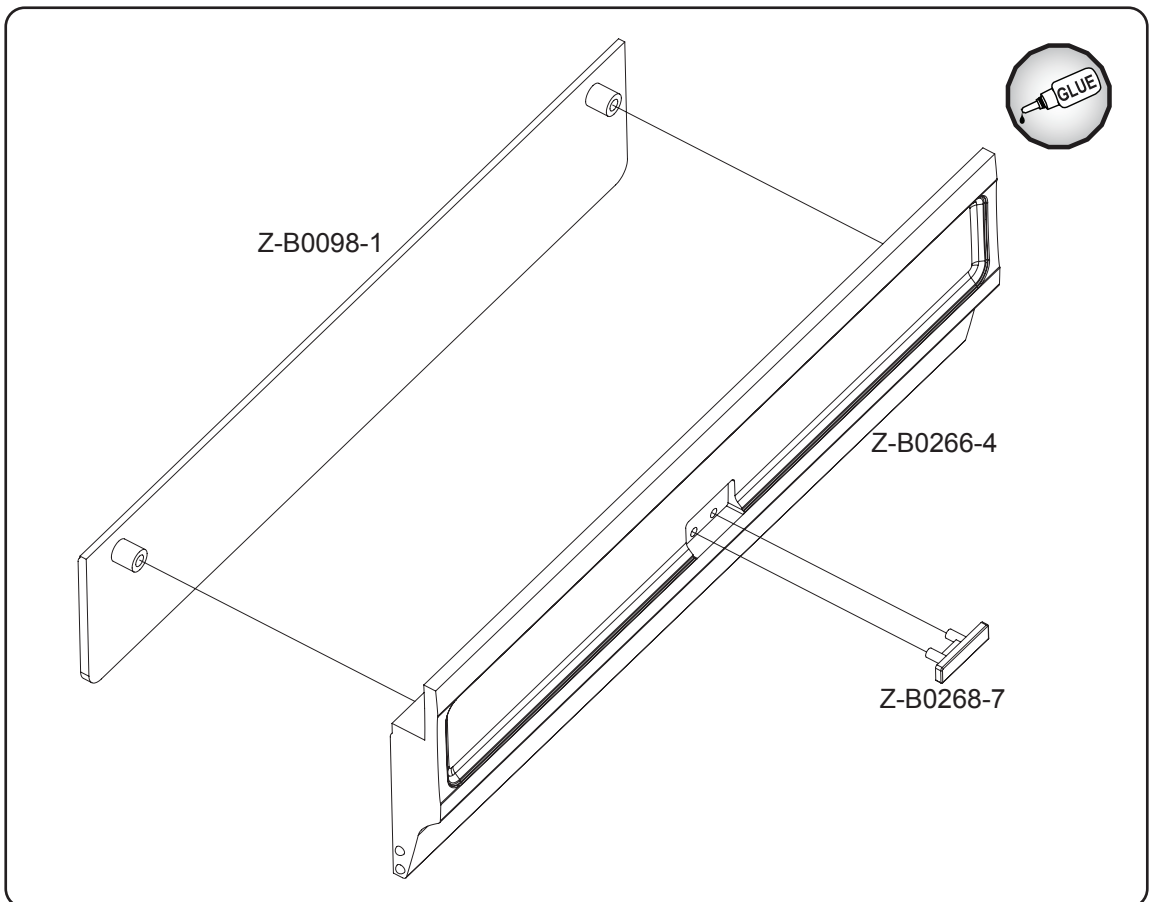
RC4WD Step 19

 X8


Z-S1566
M1.4 x 8mm FHSTS

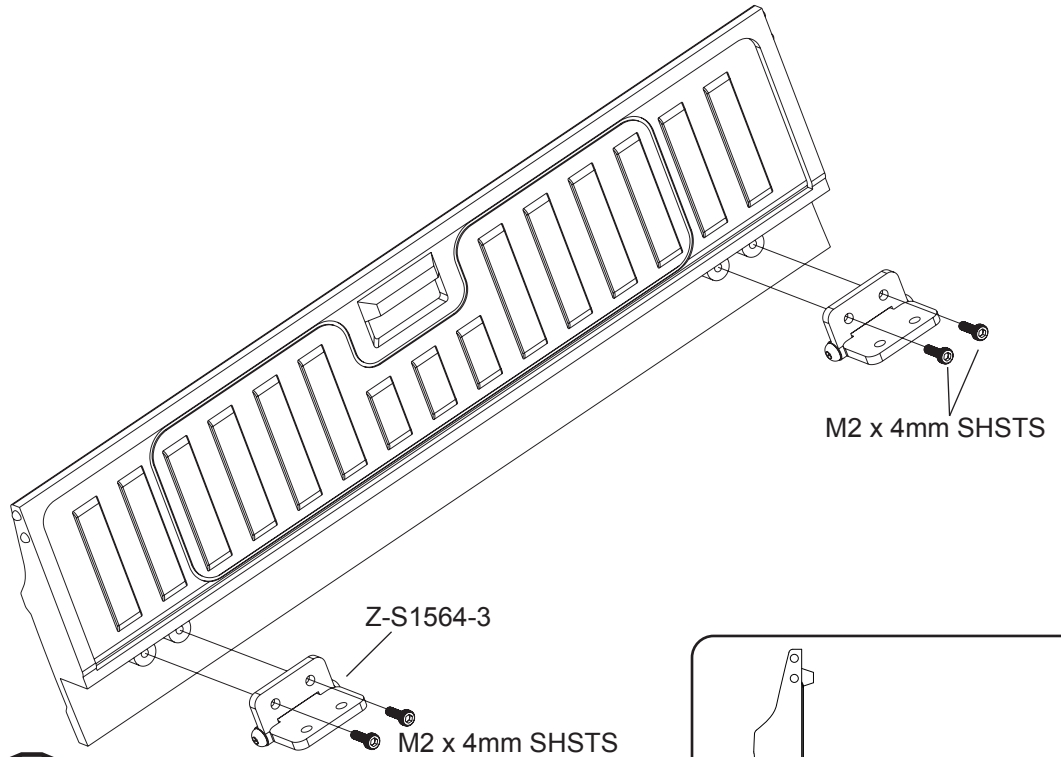


RC4WD Step 20

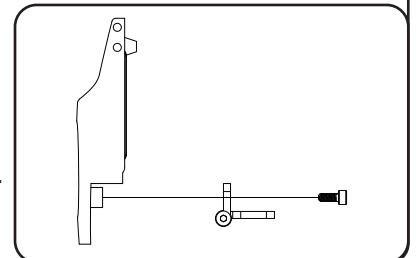


RC4WD Step 21


 X4
SHSTS
M2 x 4mm

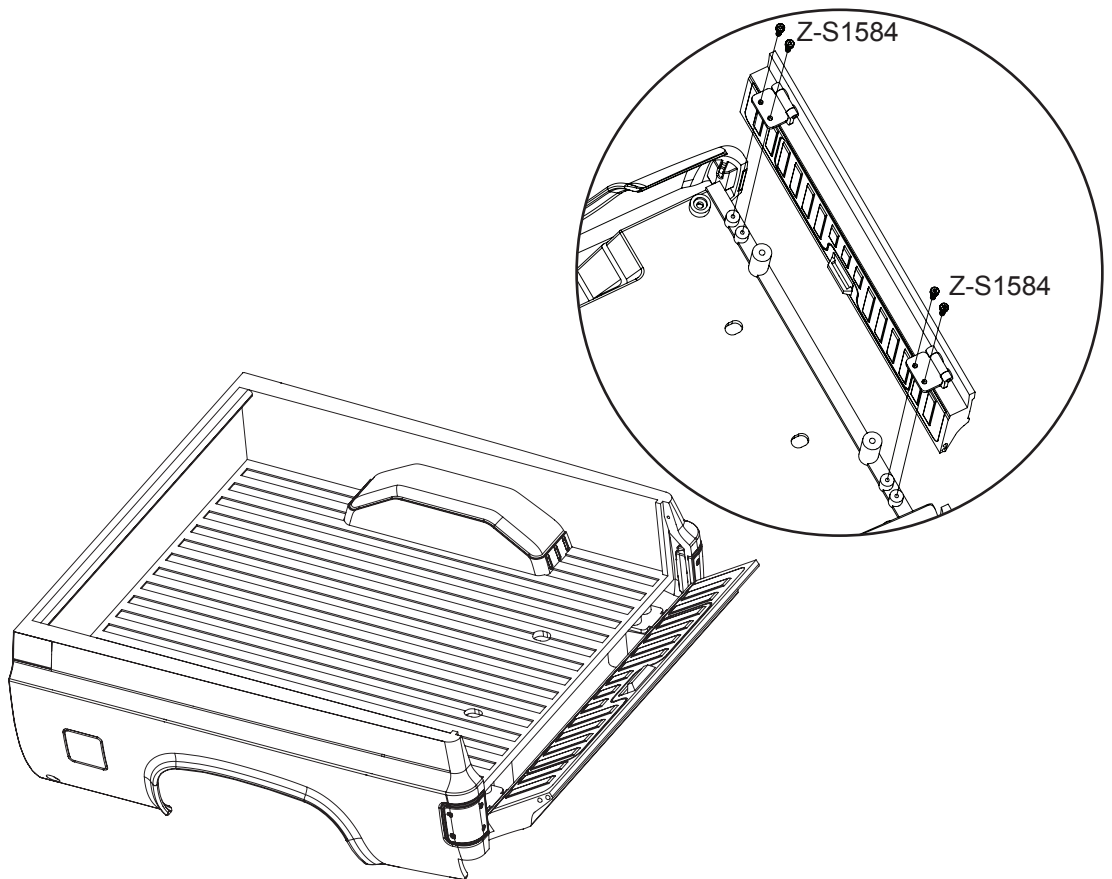


Pay attention to orientation of the hinges.

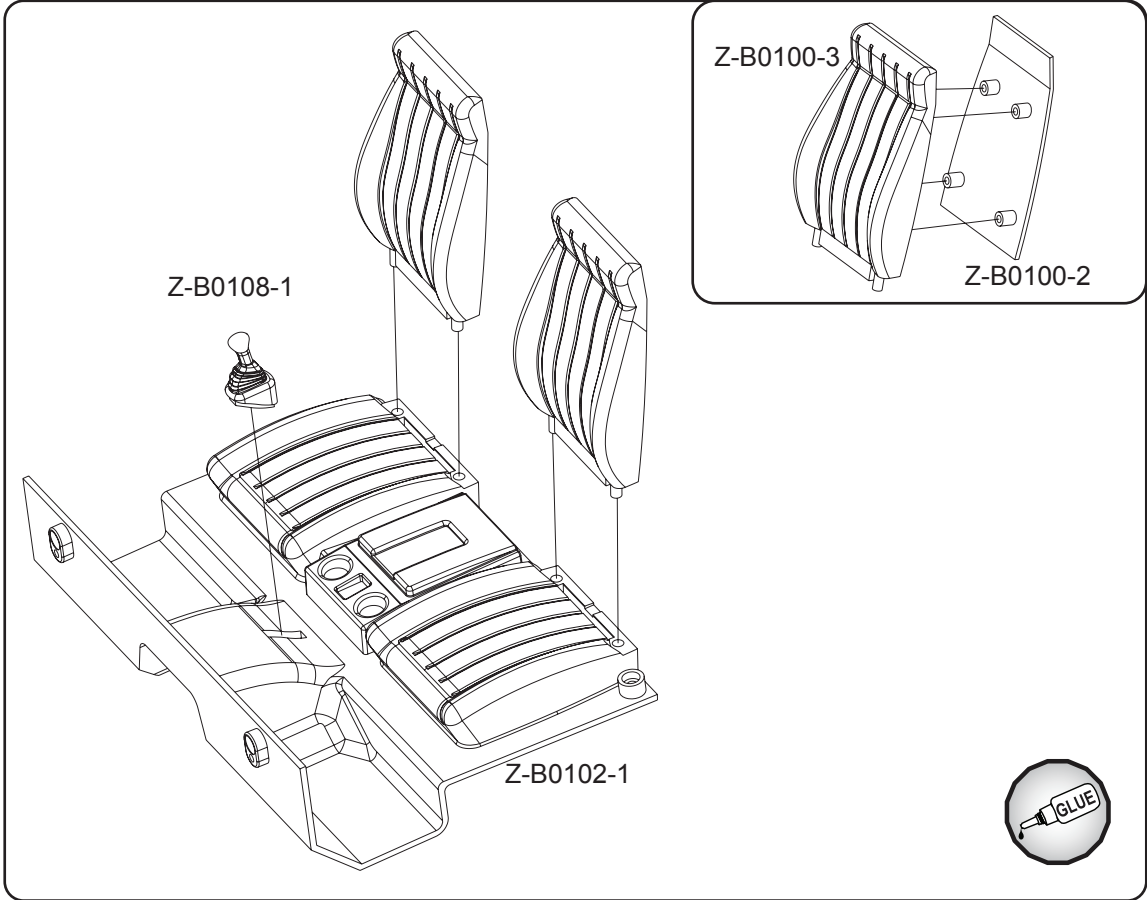


RC4WD Step 22

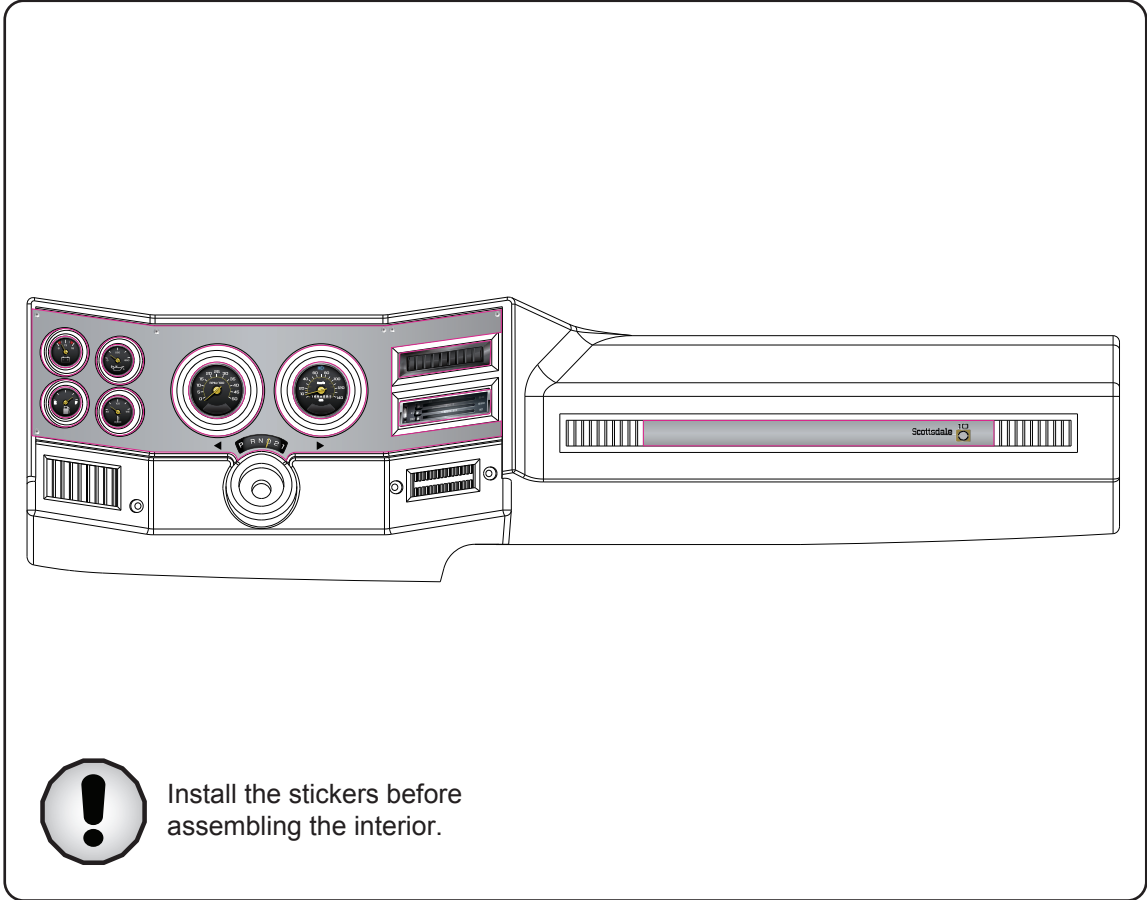
 X4
Z-S1584
M2 x 6mm SHSTS



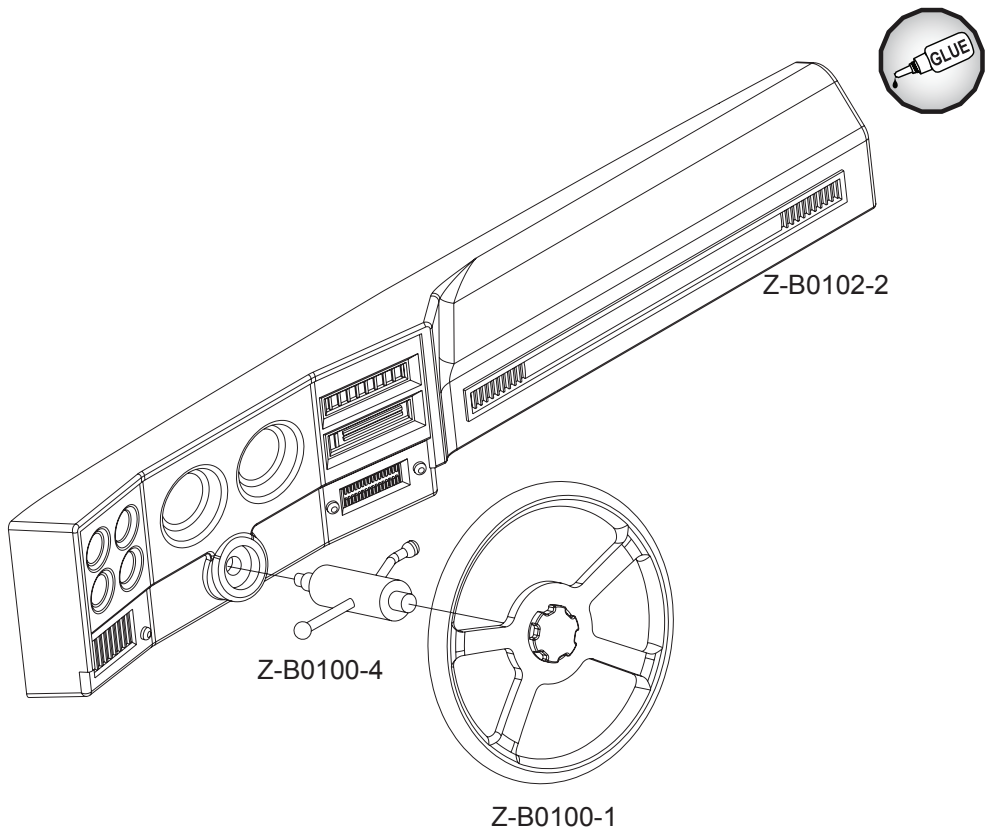
RC4WD
Step 23




RC4WD
Step 24

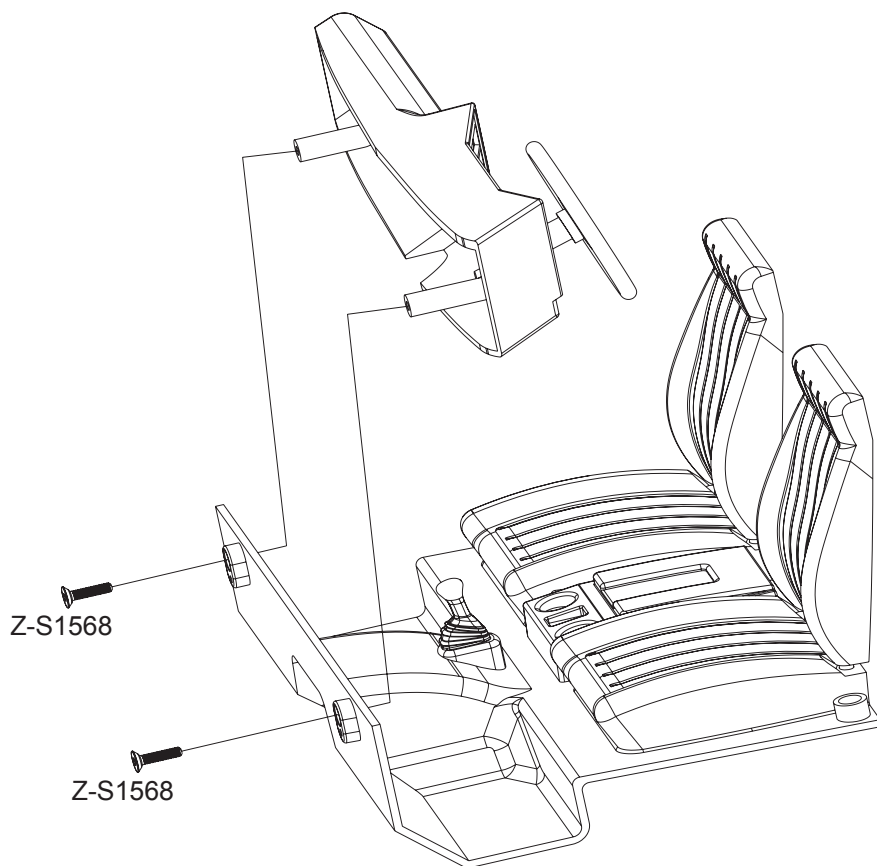


RC4WD
Step 25



RC4WD
Step 26

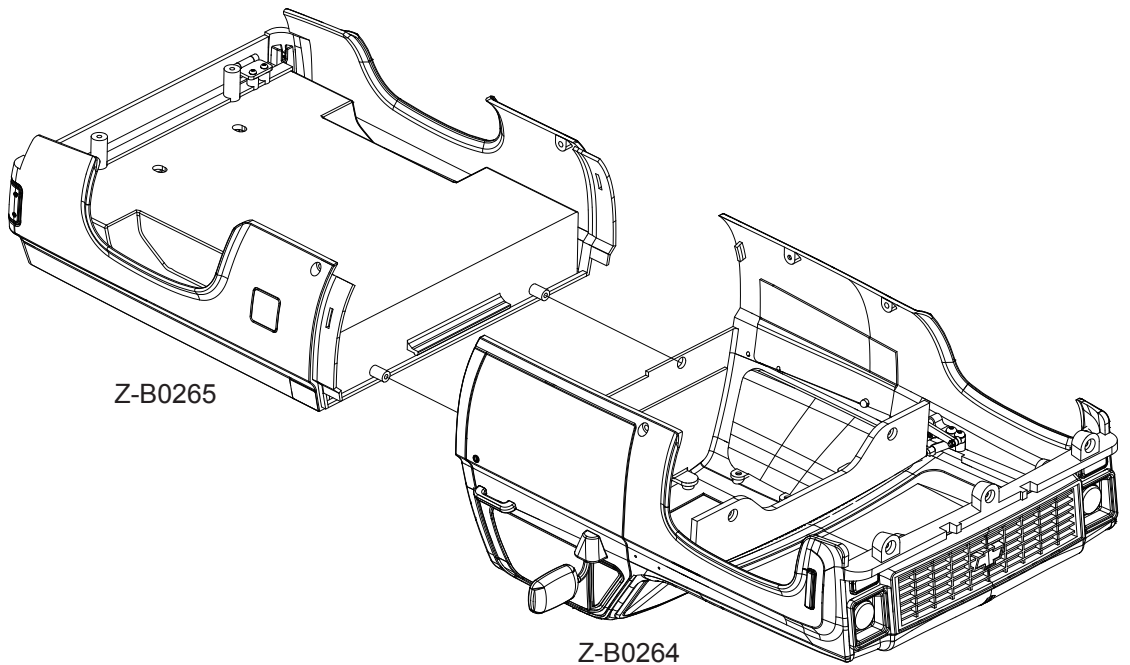
 X2
Z-S1568
M3 x 10mm FHSTS



RC4WD Step 27



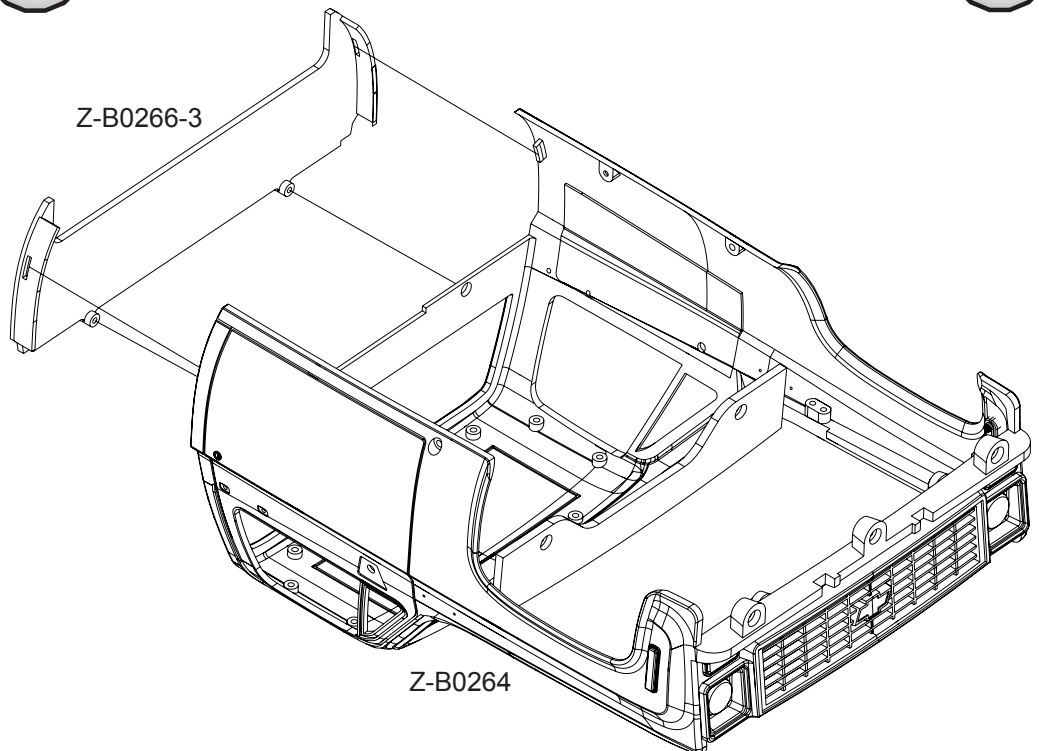
Use styrene solvent glue along the edge to fix the bed to the cab.
Keep the joint clear of paint for the glue to work affectively.



RC4WD Step 28



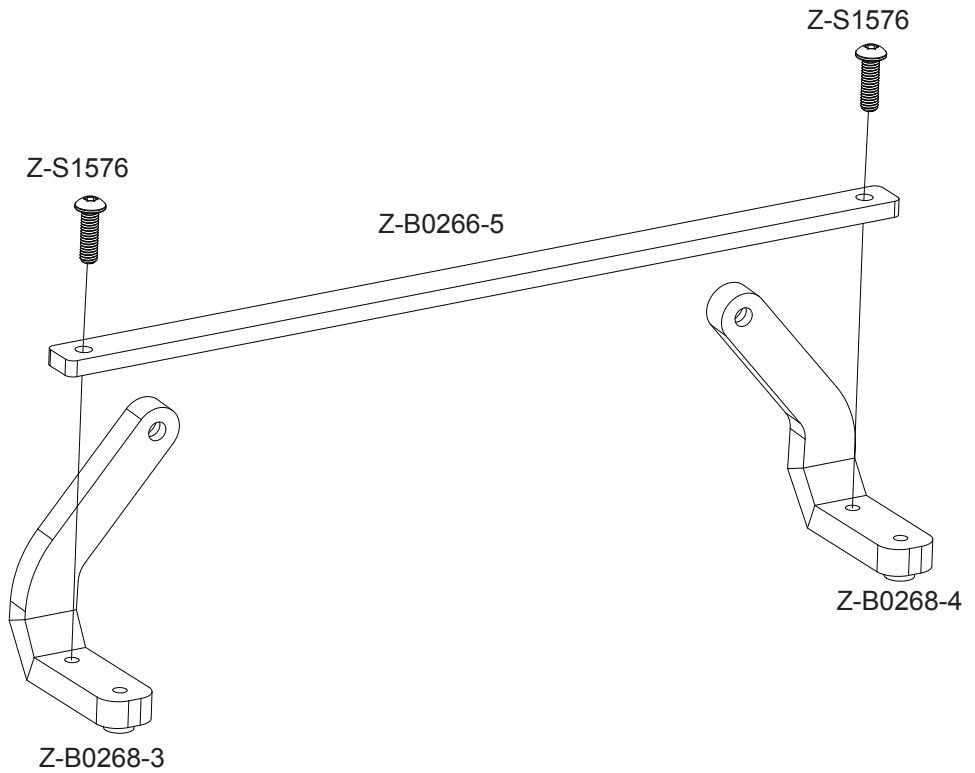
Cab back can NOT be installed when installing the bed.
This is used only when building the cab by itself.



RC4WD Step 29



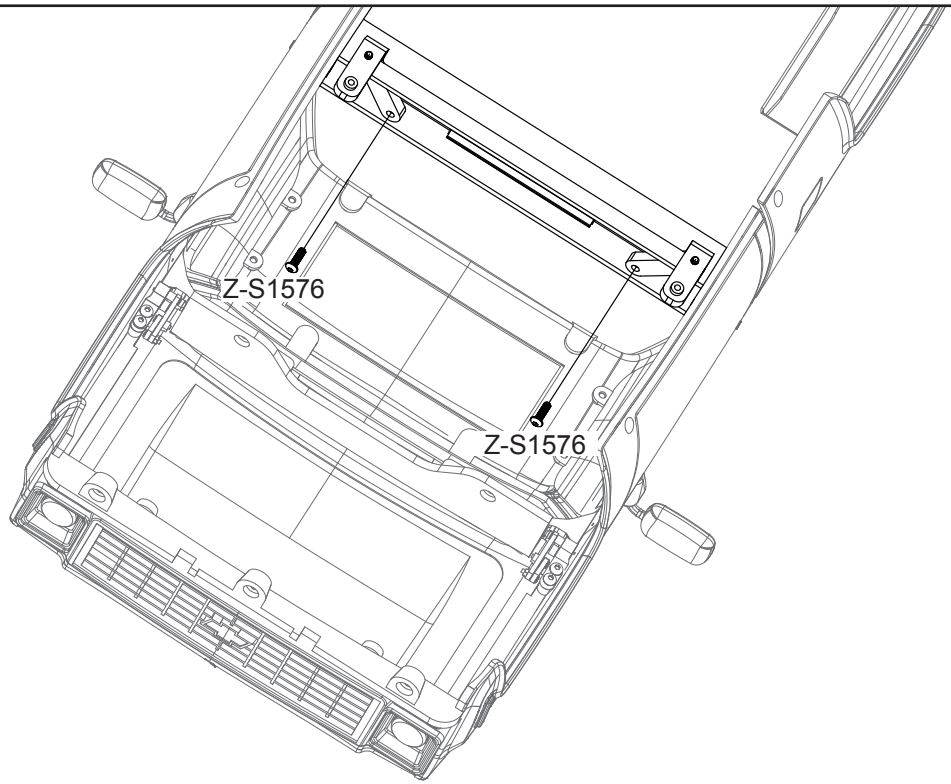
Z-S1576
M3 x 8mm BHSTS



RC4WD Step 30



Z-S1576
M3 x 8mm BHSTS



Take care to align these properly for the interior.
You won't be able to access the screws once the interior is installed.

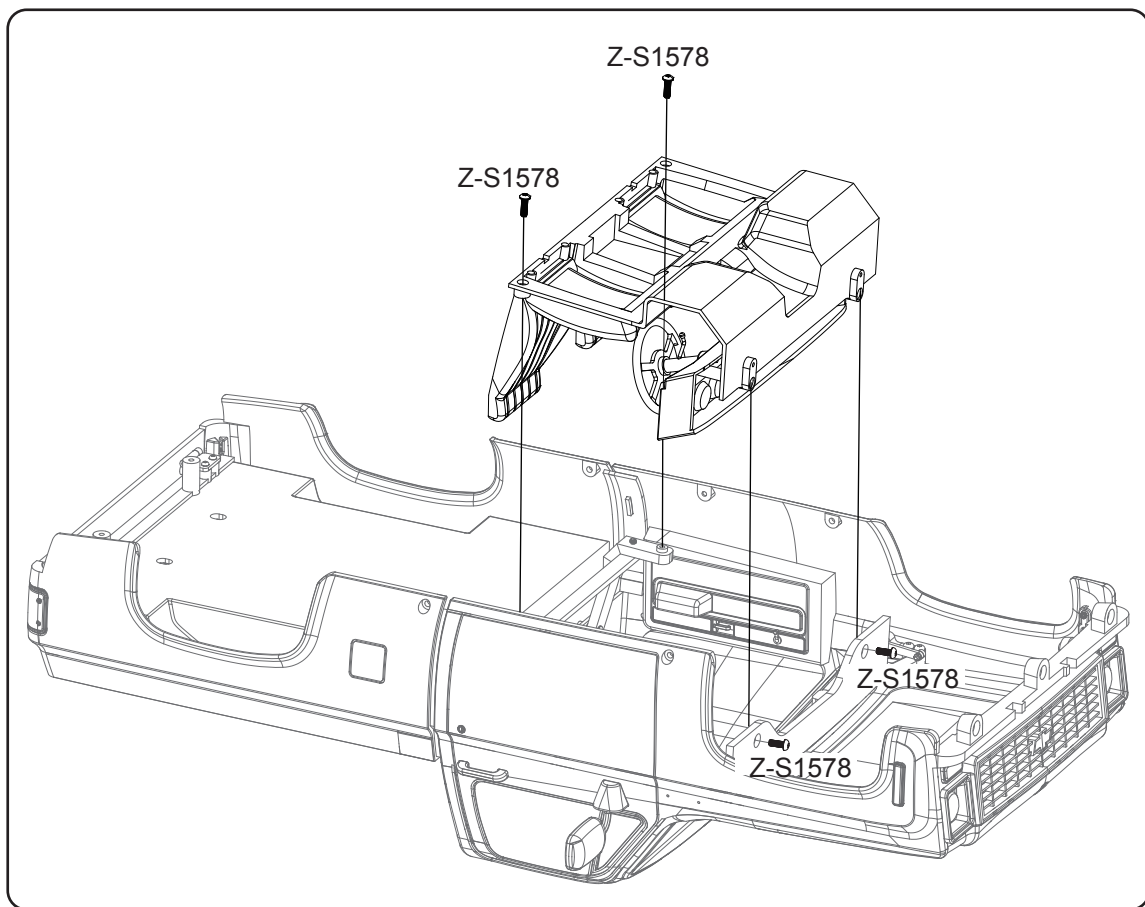


RC4WD
Step 31



X4

Z-S1578
M3 x 10mm BHSTS

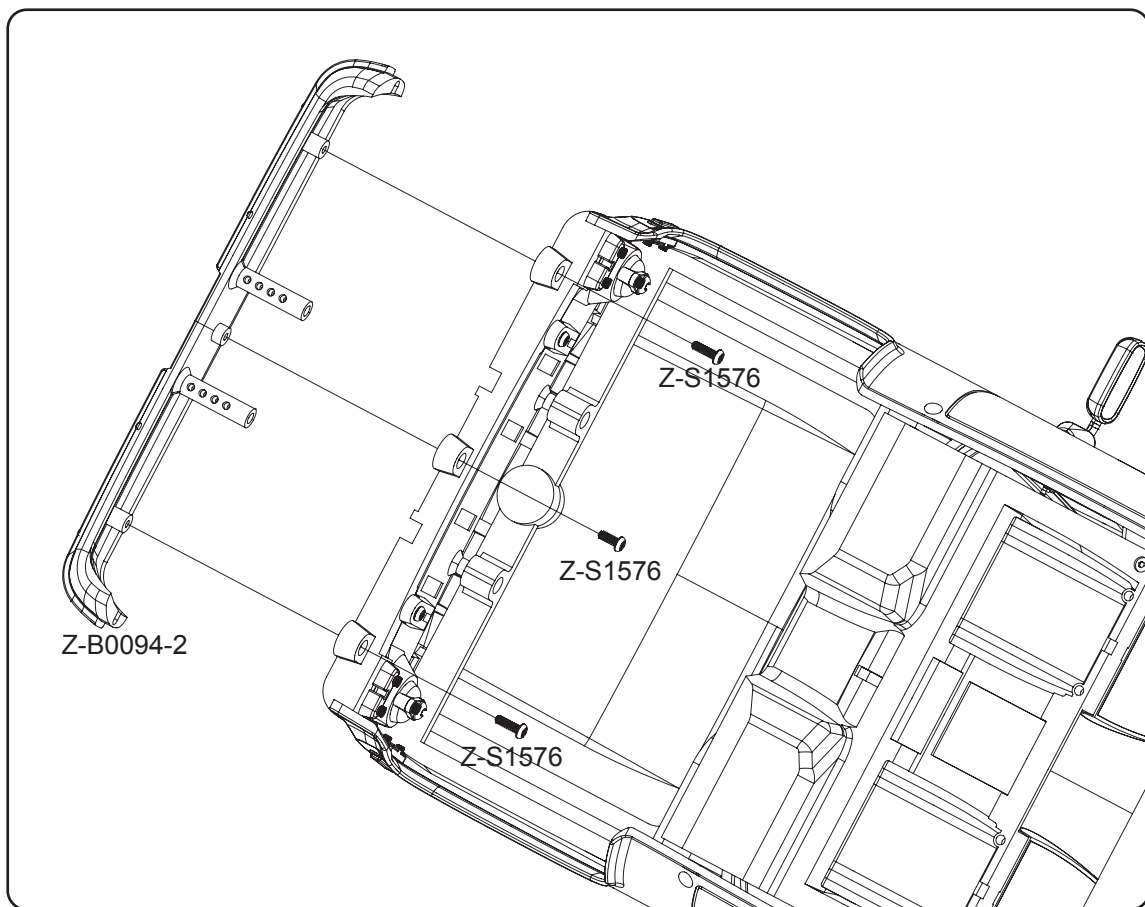


RC4WD
Step 32

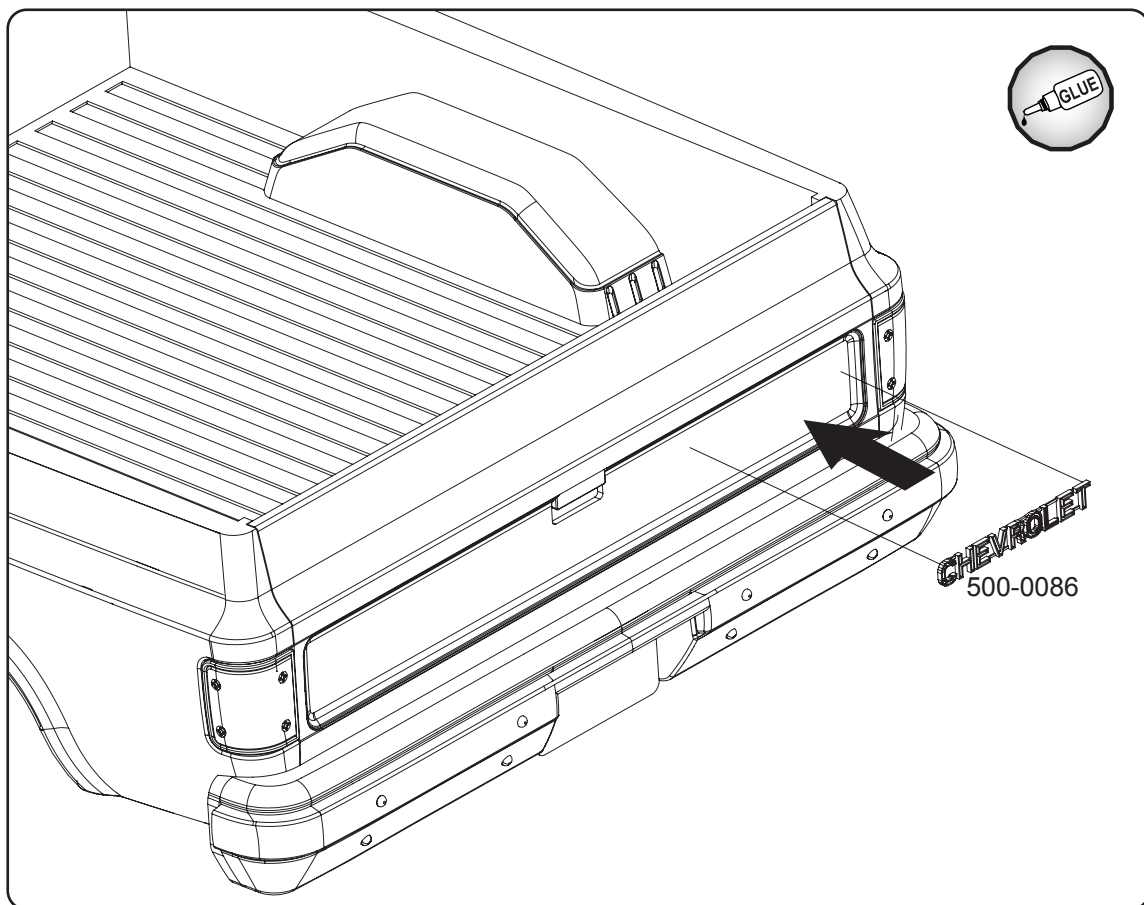


X3

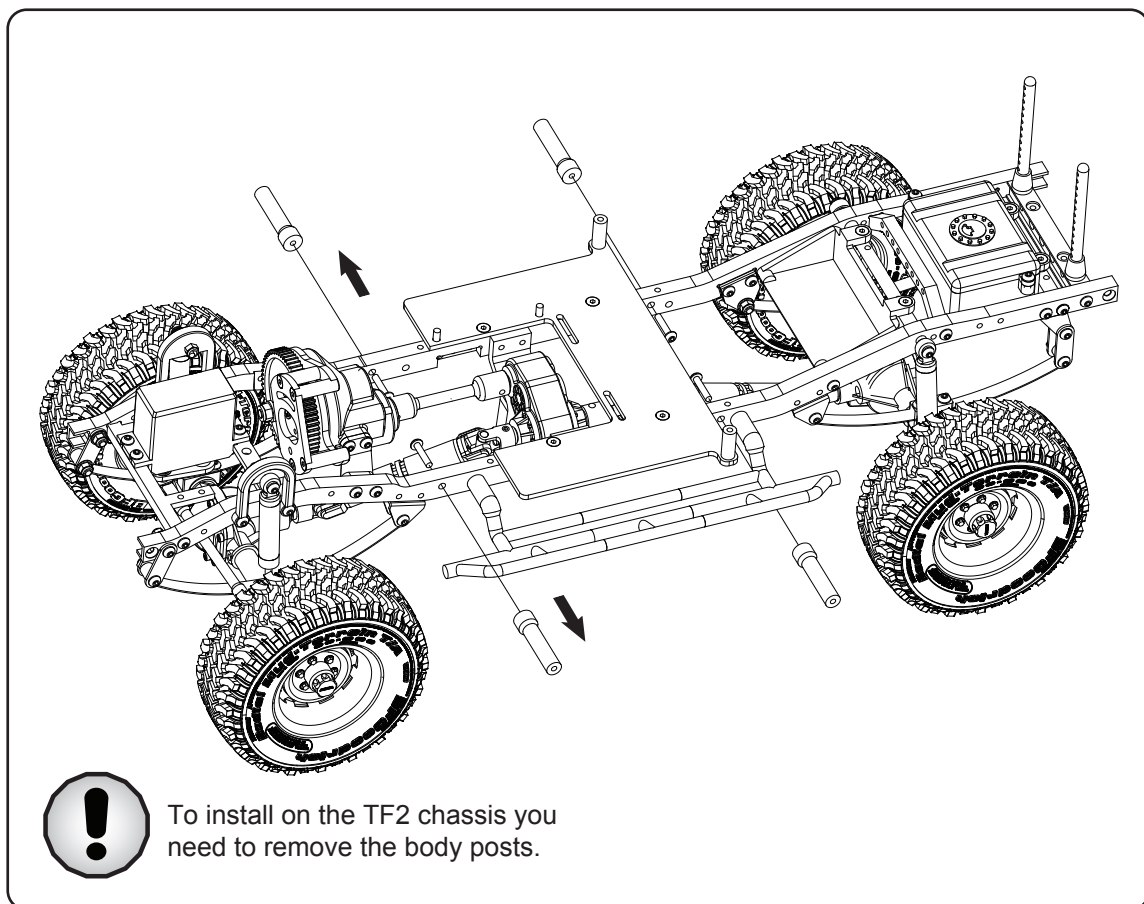
Z-S1576
M3 x 8mm BHSTS



RC4WD
Step 35



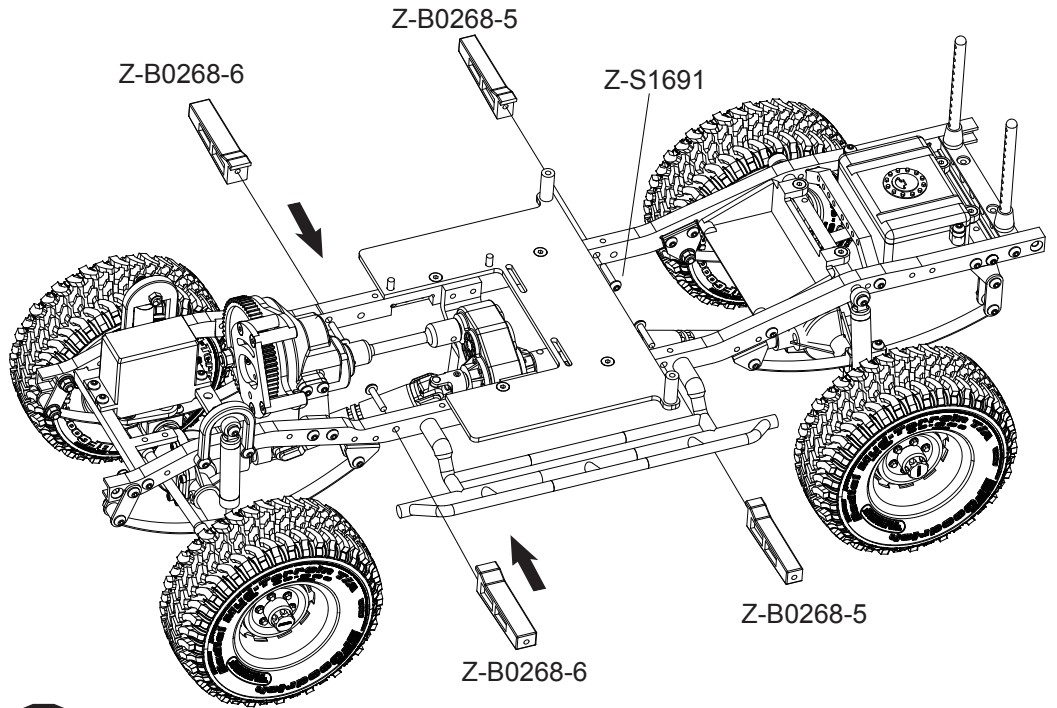
RC4WD
Step 36



RC4WD Step 37

 X4

Z-S1691
M3 x 12mm BHSTS

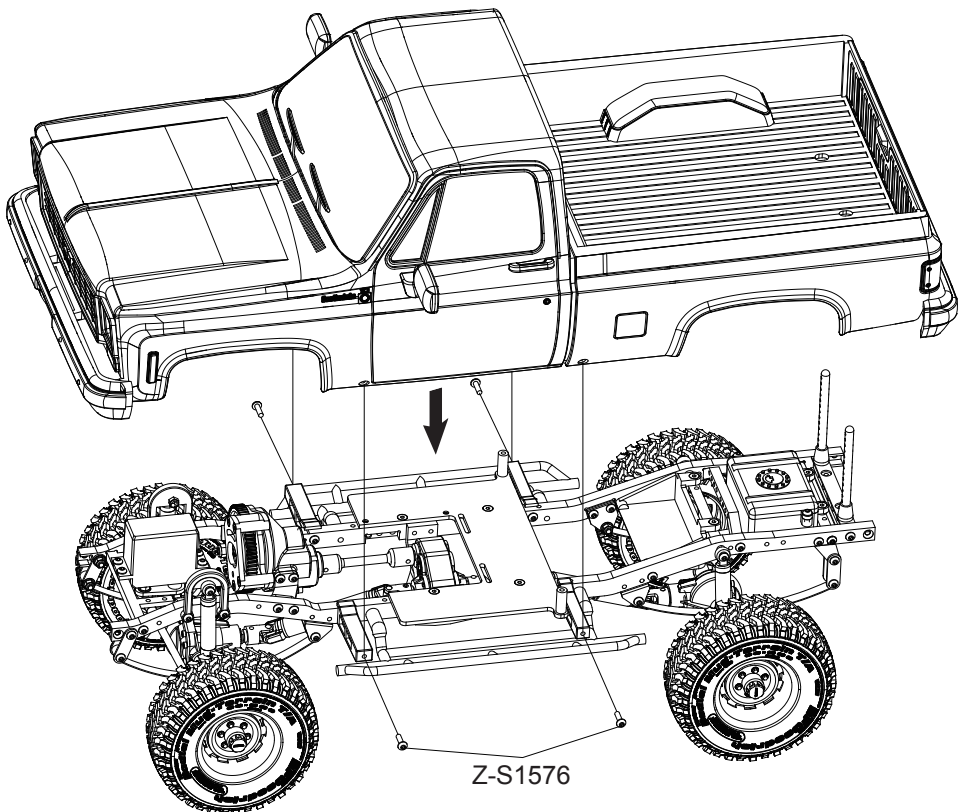


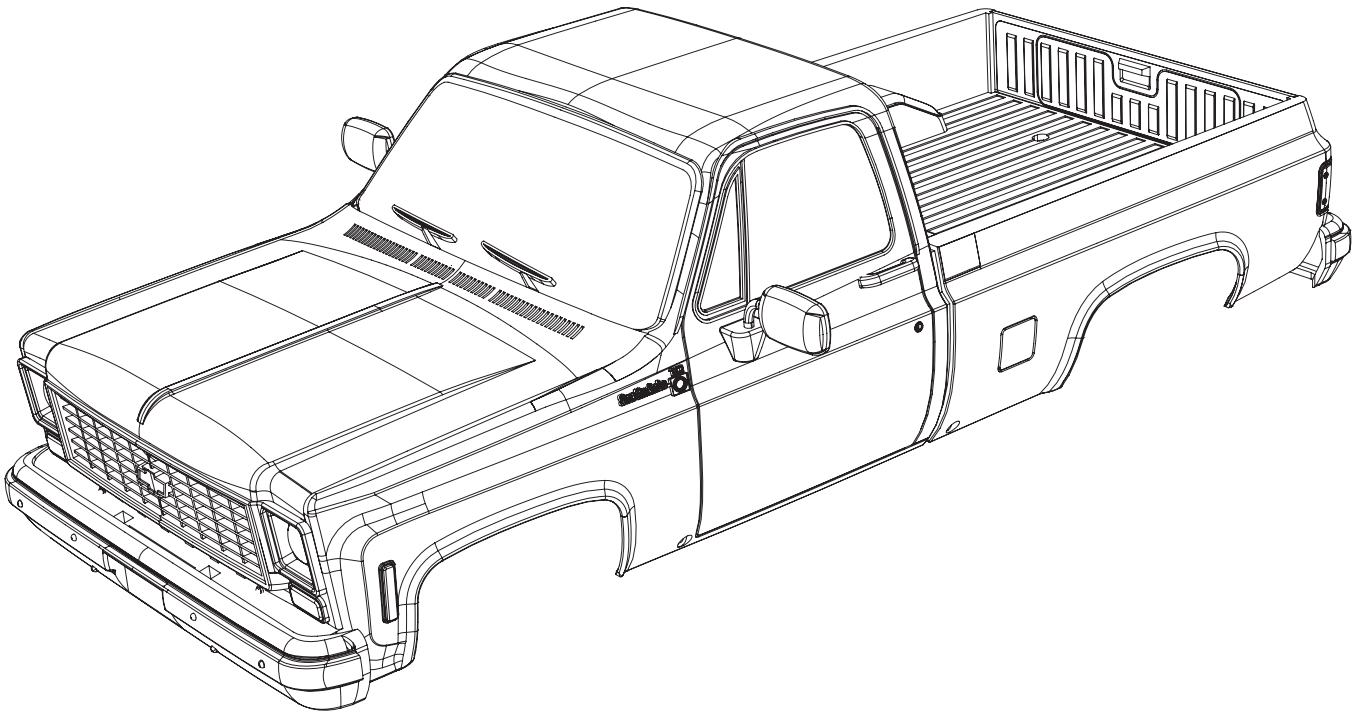
K10 body posts have a front and rear.
Wider posts to the front.

RC4WD Step 38

 X4

Z-S1576
M3 x 8mm BHSTS





Drive it like you built it!



REPLACEMENT PARTS

Piezas de repuesto / Pièces de rechange / Ersatzteile

- Z-B0021 RC4WD Chevrolet Blazer and K10 Chrome Mirror
- Z-B0023 RC4WD Chevrolet K10 Chrome Rear Step Bumper
- Z-B0094 RC4WD Chevrolet Blazer and K10 Chrome Grill and Bumper Parts Tree
- Z-B0096 RC4WD Chevrolet Blazer and K10 Clear Lenses Parts Tree
- Z-B0098 RC4WD Chevrolet Blazer and K10 Hood and Tailgate Parts Tree
- Z-B0100 RC4WD Chevrolet Blazer and K10 Seats, Steering Column Parts Tree
- Z-B0102 RC4WD Chevrolet Blazer and K10 Interior Panels Parts Tree
- Z-B0104 RC4WD Chevrolet Blazer and K10 Chrome Handles and LED Holder Parts Tree
- Z-B0106 RC4WD Chevrolet Blazer and K10 Chrome Mirror and Rear Taillight Parts Assembly
- Z-B0108 RC4WD Chevrolet Blazer and K10 Accessory Parts Tree
- Z-B0112 RC4WD Body Mounting Parts Tree for Chevrolet Blazer and K10 and Toyota 4Runner
- Z-B0114 RC4WD Chevrolet Blazer and K10 Main Cab Clear Window Parts Tree
- Z-B0264 RC4WD Chevrolet K10 Scottsdale Cab
- Z-B0265 RC4WD Chevrolet K10 Scottsdale Bed
- Z-B0266 RC4WD Chevrolet K10 Scottsdale Cab Back, Tailgate and Door Panels Parts Tree
- Z-B0267 RC4WD Chevrolet K10 Scottsdale Rear Window
- Z-B0268 RC4WD Chevrolet K10 Scottsdale Mounting and Handle Parts
- Z-S1562 RC4WD Chevrolet Blazer and K10 Magnet and Metal Mounts
- Z-S1564 RC4WD Chevrolet Blazer and K10 Functional Hood and Tailgate Hardware



OPTIONAL PARTS

Partes opcionales / Pièces en option / Optionale teile

- Z-B0124 RC4WD Chevrolet Blazer Chrome Front Grille w/Optional Inserts
- Z-E0020 RC4WD LED Basic Lighting System for Chevrolet Blazer and K10
- Z-E0115 Baja Designs Arc Light Bar for Chevrolet Blazer
- Z-S0013 RC4WD Roll Bar for Chevrolet Blazer and K10
- Z-S0451 RC4WD Tough Armor Double Tube Rear Bumper for Chevrolet Blazer and K10
- Z-S0456 RC4WD Tough Armor Double Tube Front Bumper for Chevrolet Blazer and K10
- Z-S0612 RC4WD MAXTRAX Vehicle Extraction and Recovery Boards 1/10 (Safety Orange) (2)
- Z-S0789 RC4WD Work Rack for Chevrolet K10 Scottsdale Hard Body Complete Set
- Z-S1300 1/10 Sleeping Mat w/Straps (Green)
- Z-S1302 1/10 Sleeping Mat w/Straps (Black)
- Z-S1317 RC4WD ARB 1/10 Fridge Freezer
- Z-S1526 RC4WD 1/10 Hi-Lift Jack
- Z-S1612 RC4WD 1/10 Wooden Shipping Case
- Z-S1613 Black Dino 1/10 Aluminum Propane Tank
- Z-S1658 1/10 Traffic Cones
- Z-S1740 Scale Garage Series 1/10 Wooden Handle Boulder Flat Shovel w/D-Grip
- Z-S1744 RC4WD Tough Armor Rear Bumper for Chevy Blazer
- Z-S1765 Garage Series Cooler
- Z-S1766 Garage Series Flashlight Set
- Z-S1831 RC4WD MAXTRAX Vehicle Extraction and Recovery Boards 1/10 (Black) (2)
- Z-S1863 Tough Armor Rear Bumper with Hitch Mount for Chevy Blazer / TF2
- Z-S1865 Scale Garage Series 1/10 Chainsaw
- Z-S1872 Tough Armor Tube Roll Bar w/Rear Tire Mount for Chevy Blazer Body Set
- Z-S1958 Tough Armor Tube Rear Bumper for TF2 Blazer
- Z-S2017 Fender Flares for RC4WD Chevy Blazer Body Set
- Z-X0049 1/10 Military Storage Box
- VVV-C0357 Roof Rack, Rollbar, Light Bar Combo for RC4WD Chevy Blazer Body (Black)
- VVV-C0363 1/10 Hella Style Round Lights
- VVV-C0365 1/10 Hella Style Lights with Covers (4)
- VVV-C0475 1/10-1/14 Work Light
- VVV-C0733 1/10 Subwoofer
- VVV-C0936 1/10 Heavy Duty Cargo Box





www.rc4wd.com



RC4WD

737 N. Gateway St.

Visalia, CA 93291

Web: www.rc4wd.com - Email: support@rc4wd.com

GM logos are used under license to RC4WD.

100-0113