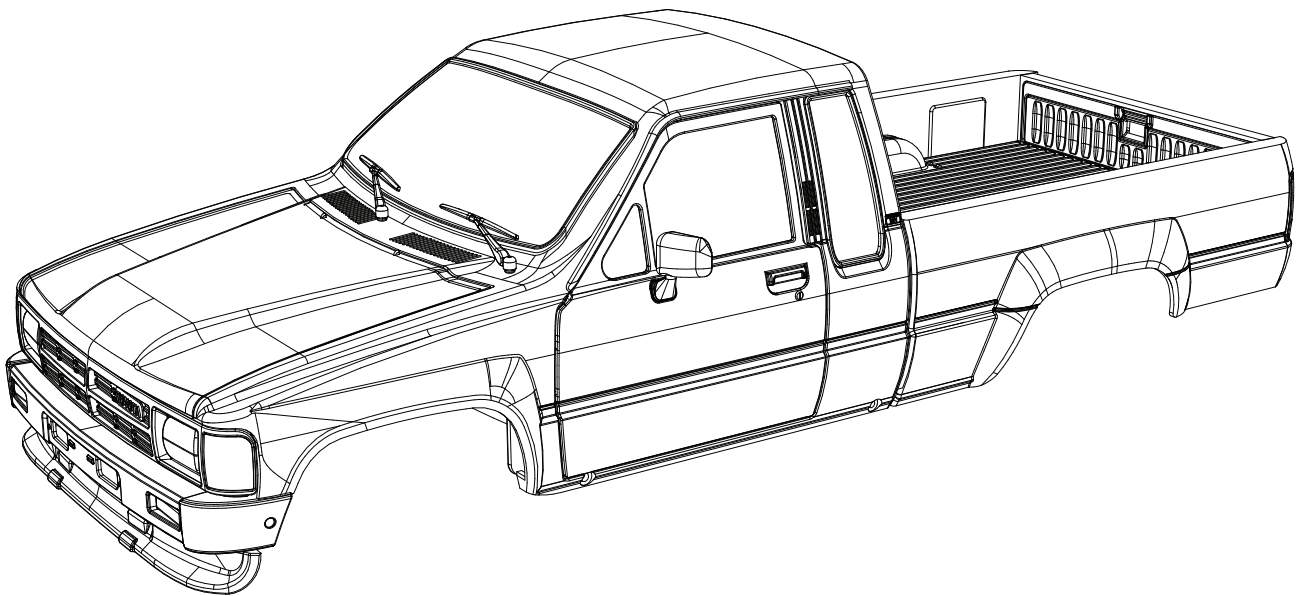
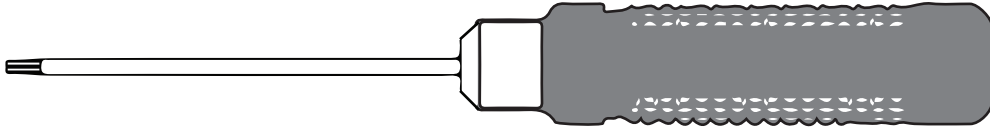


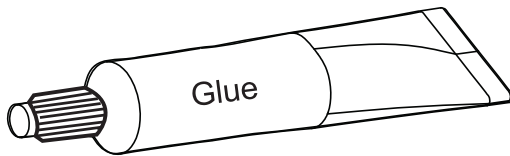
RC4WD 1987 TOYOTA XTRACAB HARD BODY COMPLETE SET



Recommended Tools



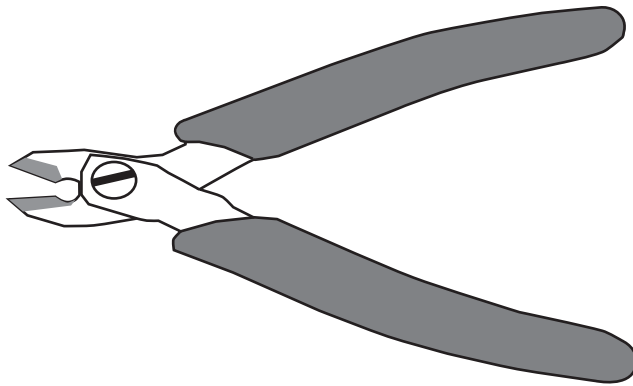
Hex Drivers (1.5mm, 2mm)



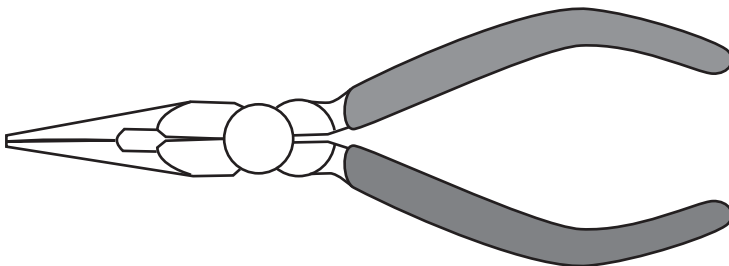
(Foam safe CA, Shoe Goo or E6000, Styrene Glue, Epoxy)



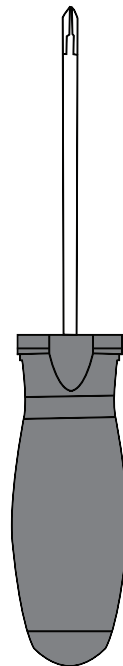
Hobby Knife



Side Cutters



Long Nose Pliers

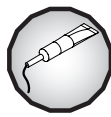


Cross head screwdriver (Small)

Instruction Manual Symbols Key



Apply Thread Lock



Apply Grease



Glue



Trim with Hobby Knife



CA Glue



Remove



Cut with Scissors



Repeat or Build Multiple



Build Right and Left



Paint



Attention



Build Front and Rear

Tips for Assembly

- Use good quality hex drivers to avoid stripping screw heads.
- Open kit bags in order of assembly steps.
- Use “Step” index for quantity and size of hardware to be used for assembly.
- Do not overtighten screws.
- Use thread lock sparingly

Recommendations for building your RC4WD 1987 Toyota XtraCab Hard Body Complete Set.

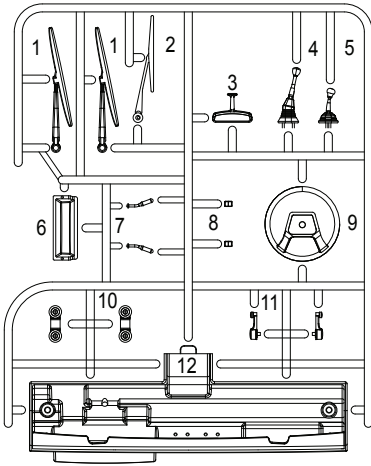
1. Carefully remove all pieces from parts trees with a hobby knife or side cutters. Take care to trim the injection point from the parts.
2. Test fit everything before gluing. Many areas will require extra attention to detail to ensure proper alignment.

Warranty

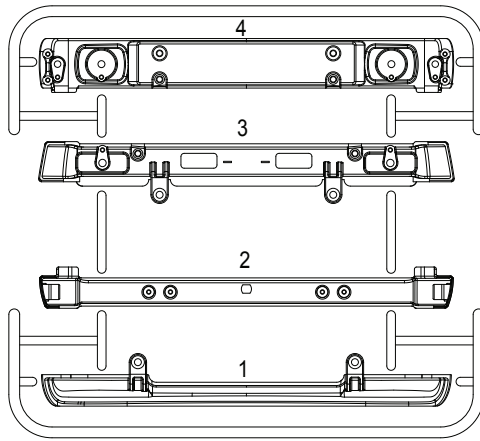
RC4WD non-electrical products are warranted to be free of defects in materials and workmanship when new. Our limited warranty does not cover damages due to normal wear and tear, user error of assembly or installation, user modifications, user's failure to perform routine maintenance, addition of aftermarket parts or option parts. This warranty lasts 30 days after arrival for original purchaser. In the event of a defect under this warranty, RC4WD will, at our discretion, replace the product, provided our inspection indicates that an original defect exists. RC4WD reserves the right to replace any product which is no longer available with a product of comparable value and function. If RC4WD determines the repair is not covered under warranty guidelines, we will contact you to discuss your options. If you have any questions, please contact us via email at support@rc4wd.com.

RC4WD warrants its electronics for 30 days from date of arrival. This covers all electrical items except items that are already noted on the individual product page.

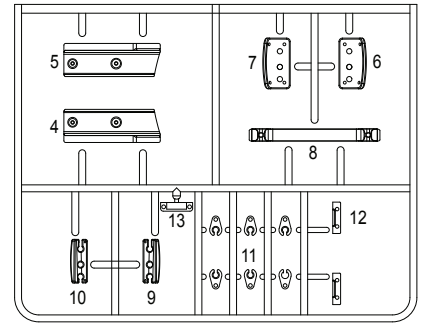
Parts List



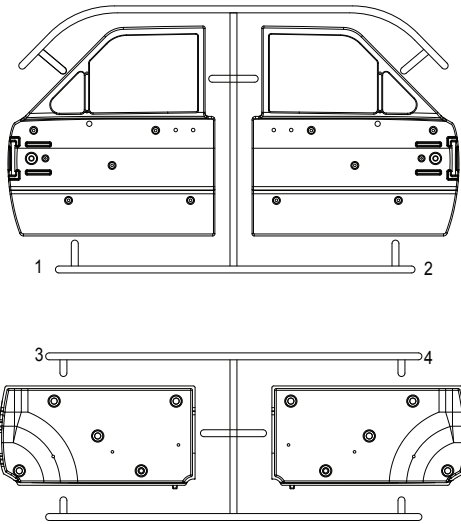
325-0087



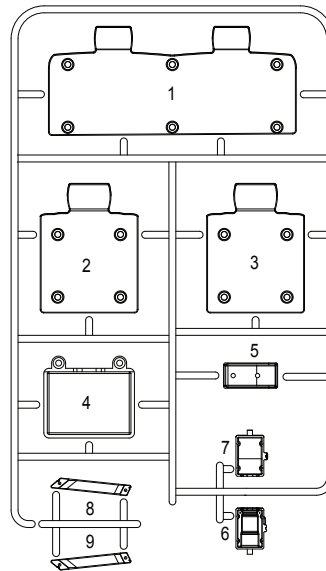
325-0109



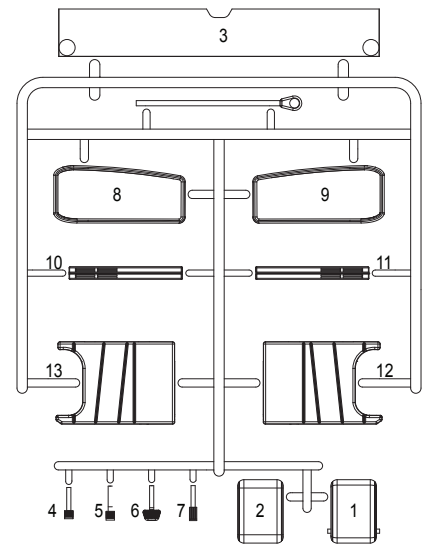
325-0931



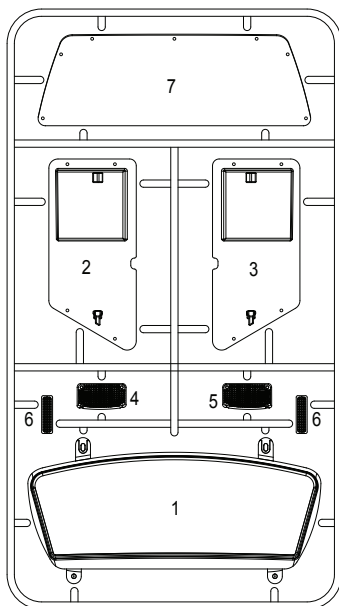
325-0115



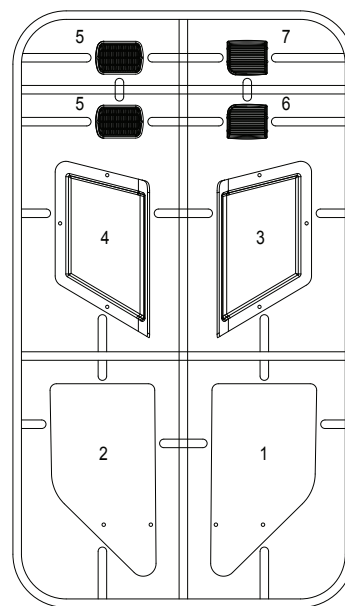
325-0093



325-0443

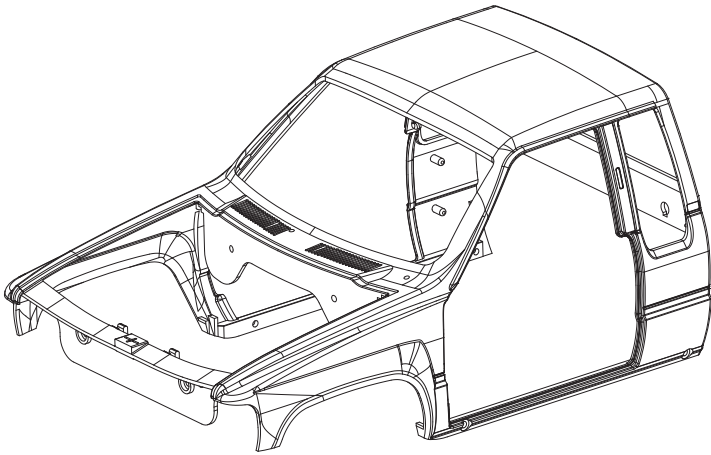


325-0068

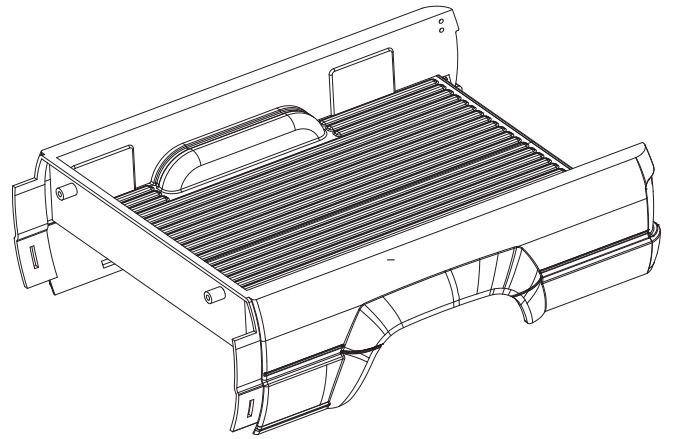


325-0072

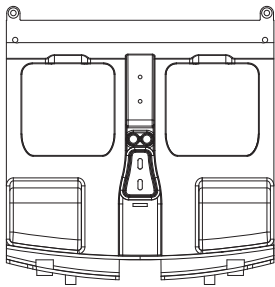
Parts List



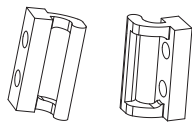
325-0436



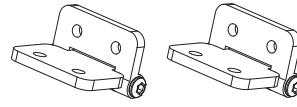
325-0437



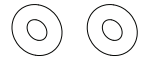
325-0438



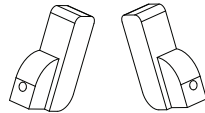
450-0108



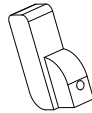
350-1180



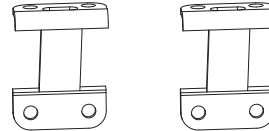
325-0981



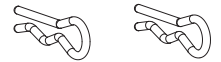
350-1072



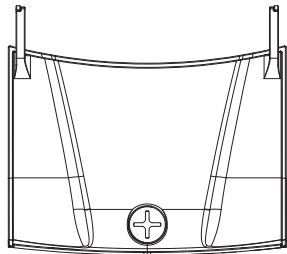
350-1073



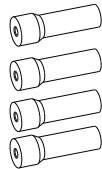
450-0114



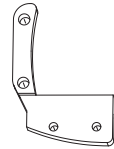
350-1182



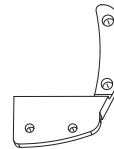
325-0090



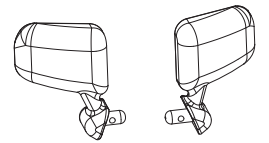
350-1375



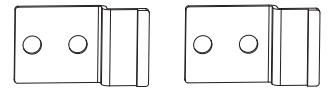
500-0106



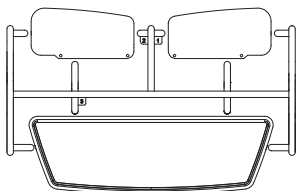
500-0107



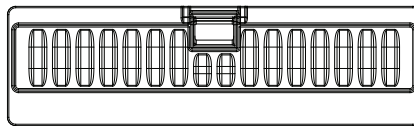
325-0119



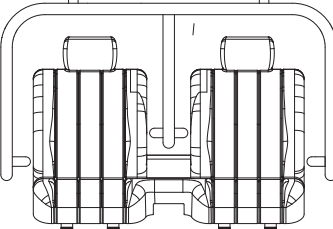
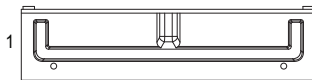
450-0113



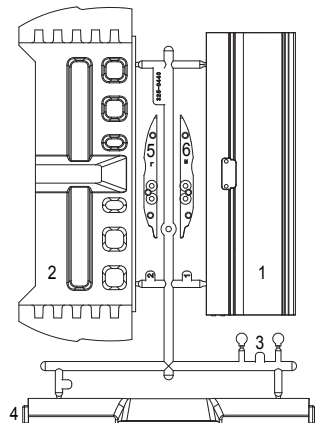
325-0444



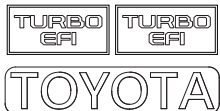
325-1130



325-0442



325-0440



350-1071

R4WD

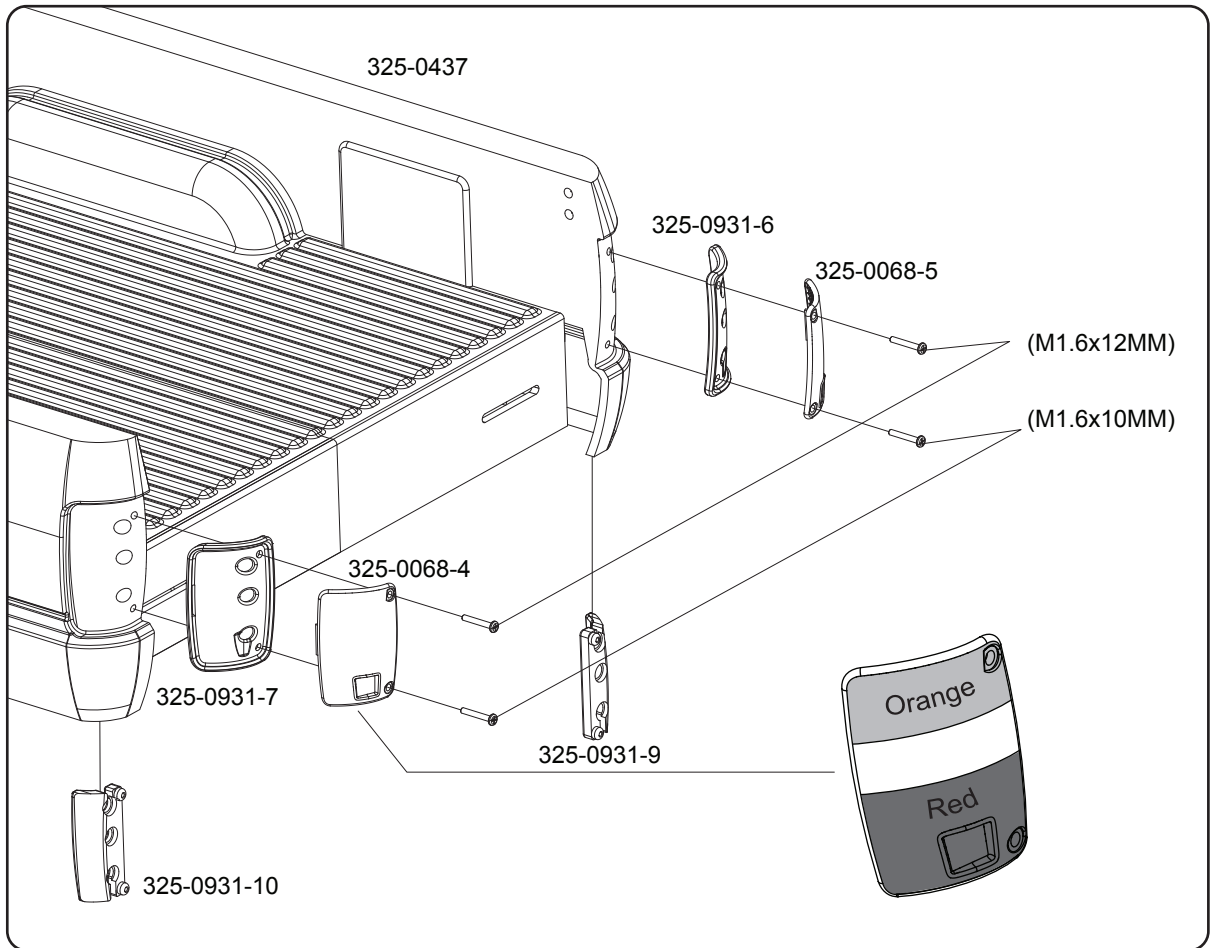
Step 1

X2
150-0207
M1.6 x 10mm
Cross Head
Self Tapping Screws

X2
150-0300
M1.6 x 12mm
Cross Head
Self Tapping Screws

*Pre-screw the holes in the inner mounts. This will make installing the brackets much easier.

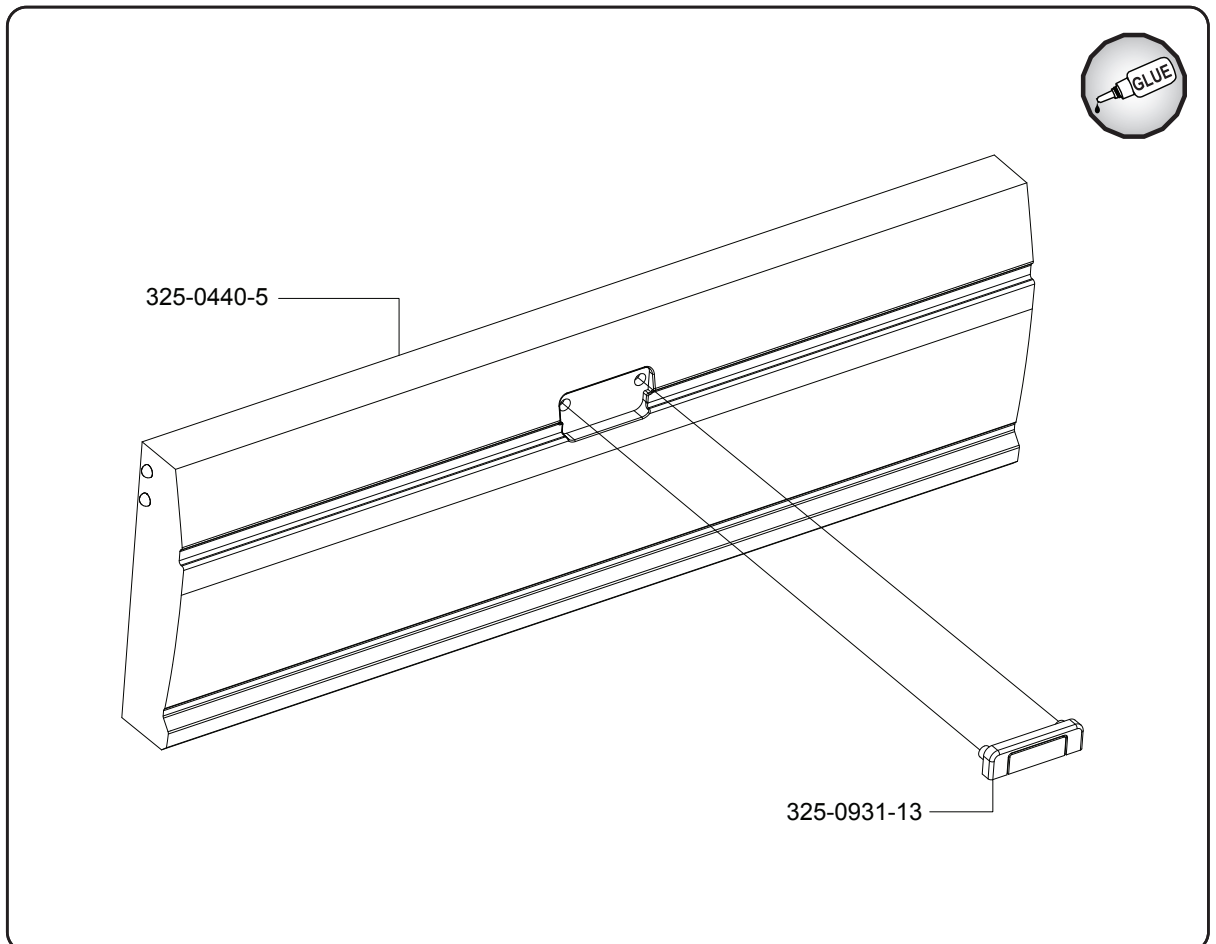
*Use Tamiya Translucent Paint in the areas labeled with colors on the lights.



R4WD

Step 2

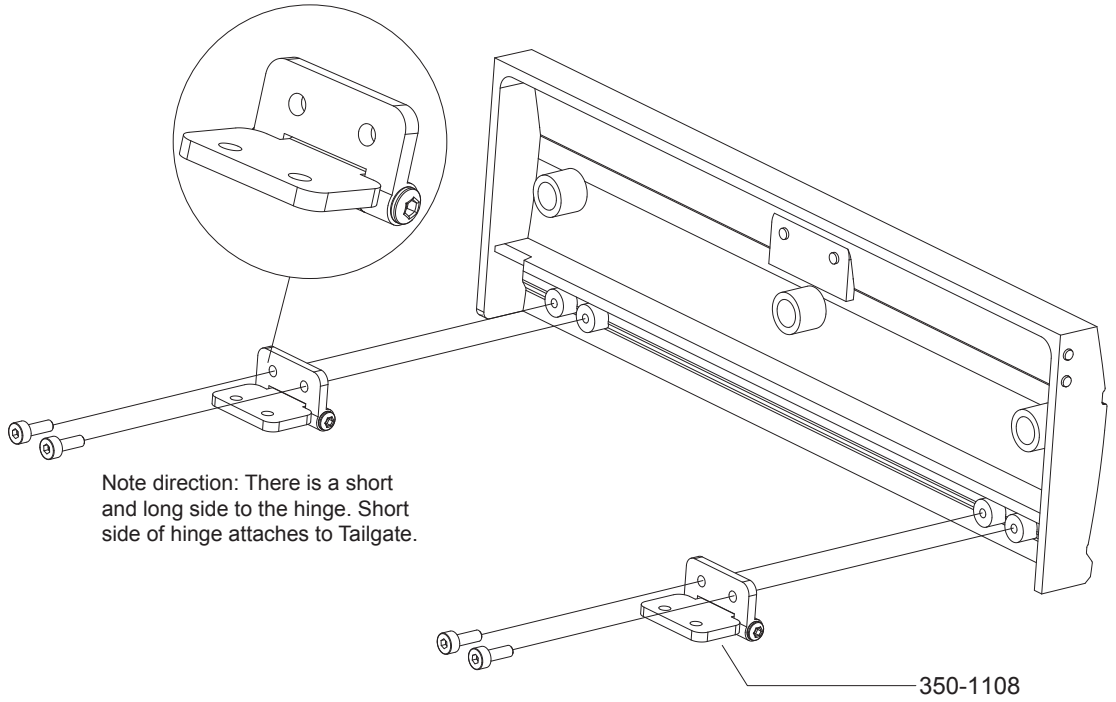
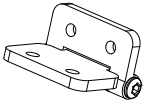
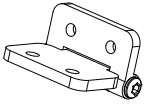
*Use styrene solvent glue or foam safe super glue.



R4WD

Step 3

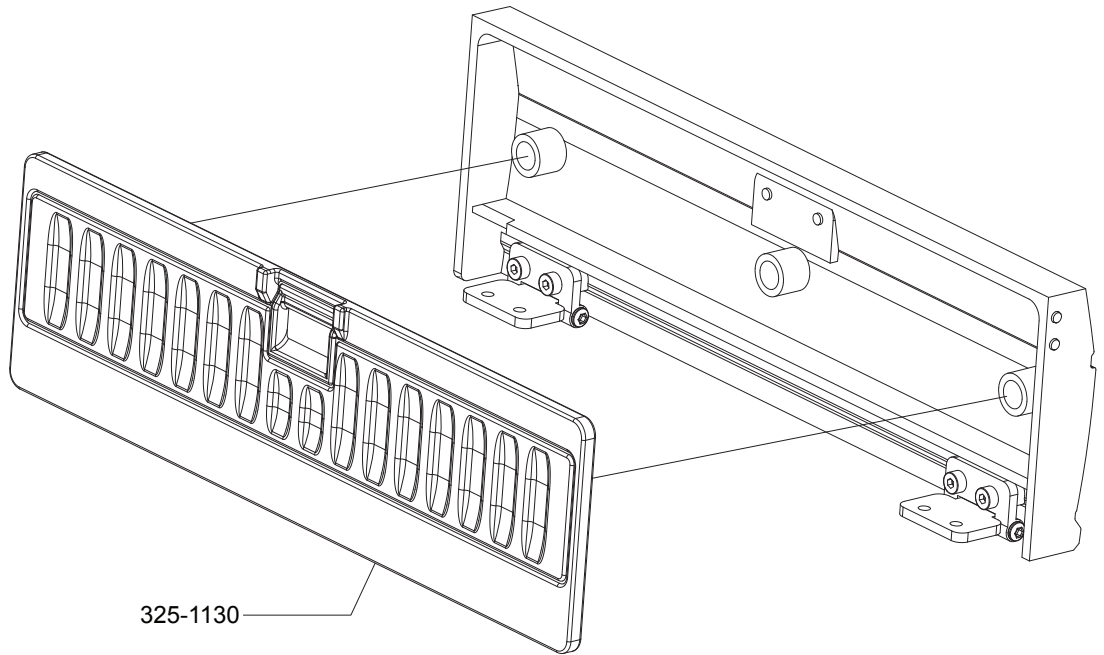
X4
150-0237
M2 x 5mm
Socket Head
Self Tapping Screws



R4WD

Step 4

*Use styrene solvent glue or foam safe super glue.



R4WD

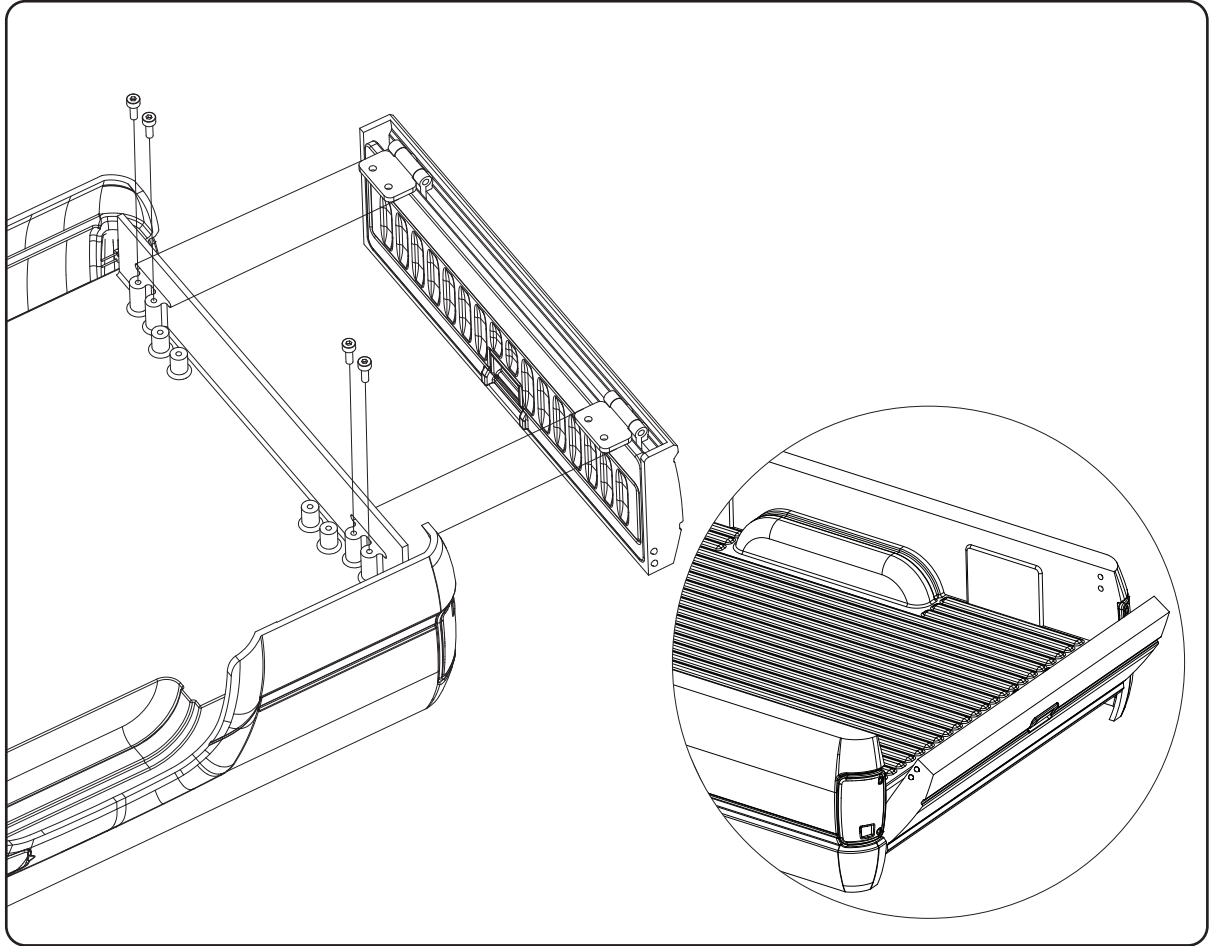
Step 5

*Locking posts are designed for a very snug fit when the tailgate is closed. These may be trimmed slightly to allow the tailgate to open more easily if desired.



X4

150-0238
M2 x 6mm
Socket Head
Self Tapping Screws



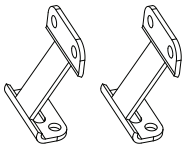
R4WD

Step 6

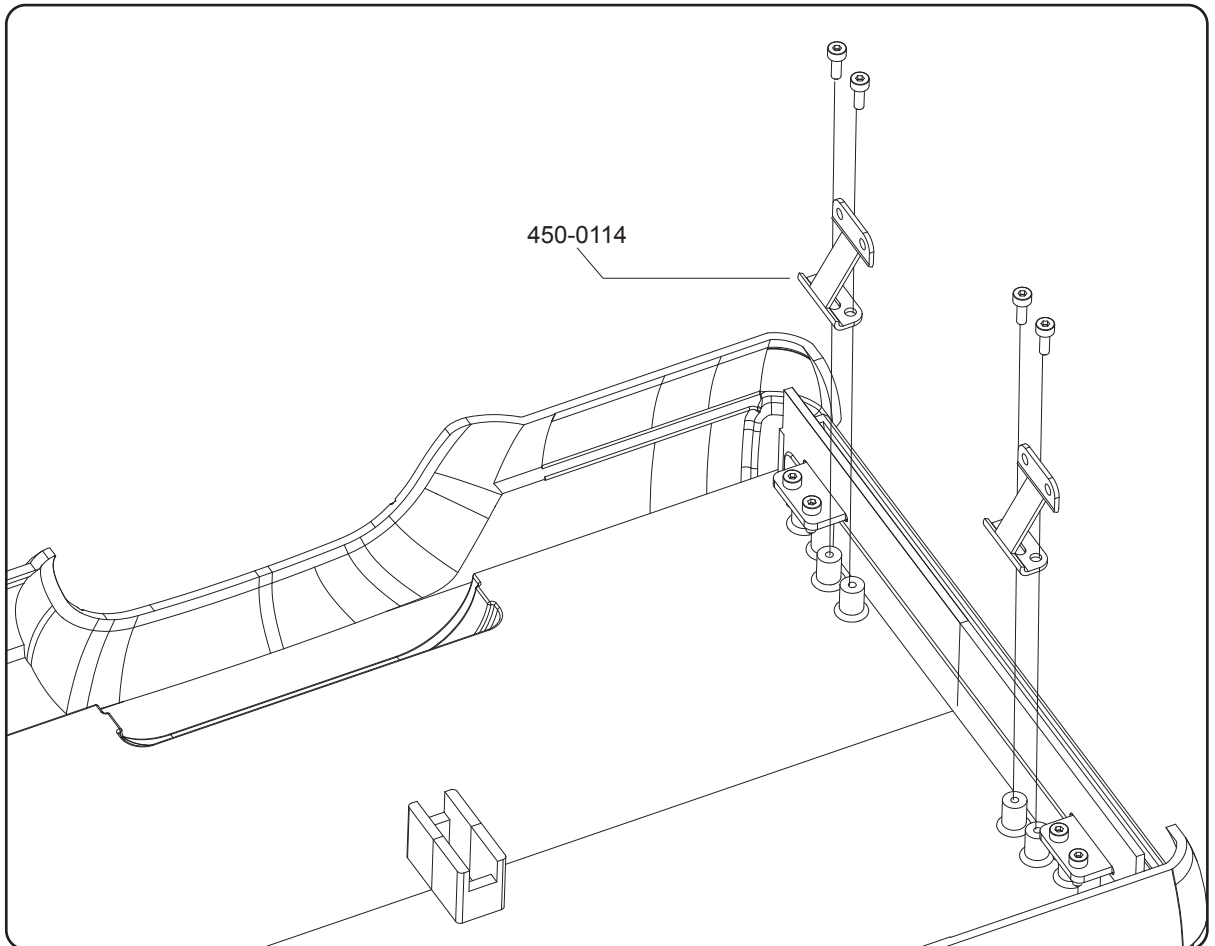


X4

150-0238
M2 x 6mm
Socket Head
Self Tapping Screws



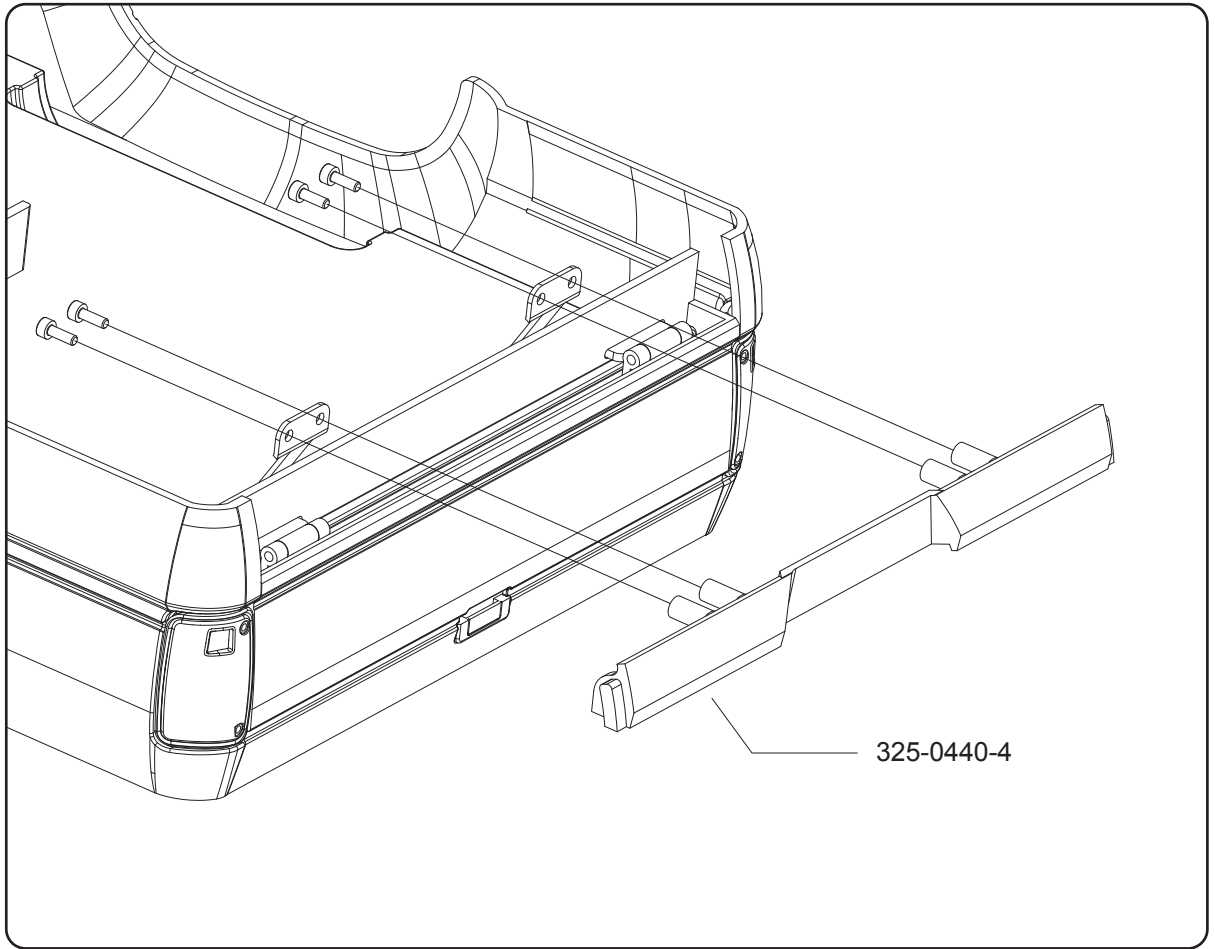
450-0114



R4WD

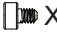
Step 7

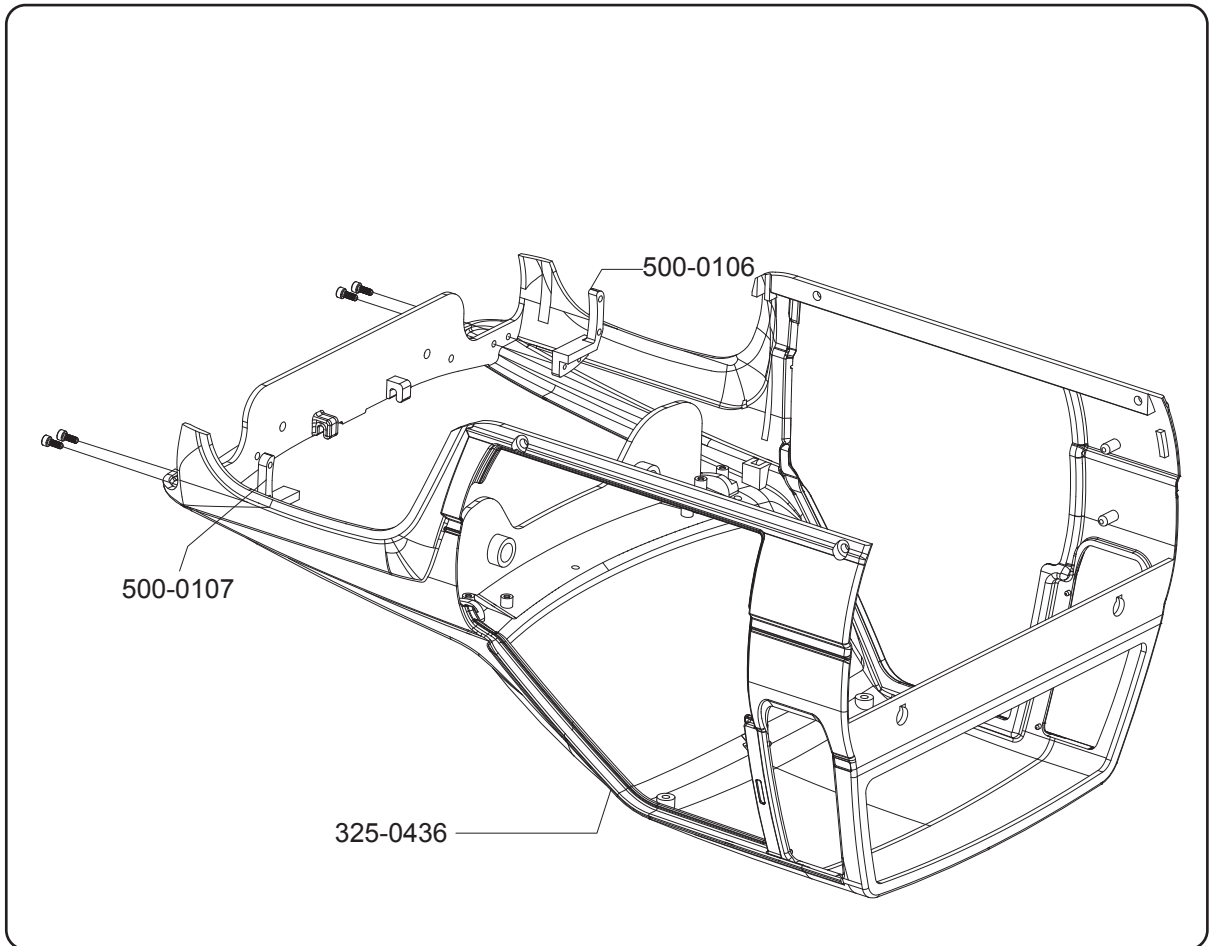
 X4
150-0238
M2 x 6mm
Socket Head
Self Tapping Screws



R4WD

Step 8

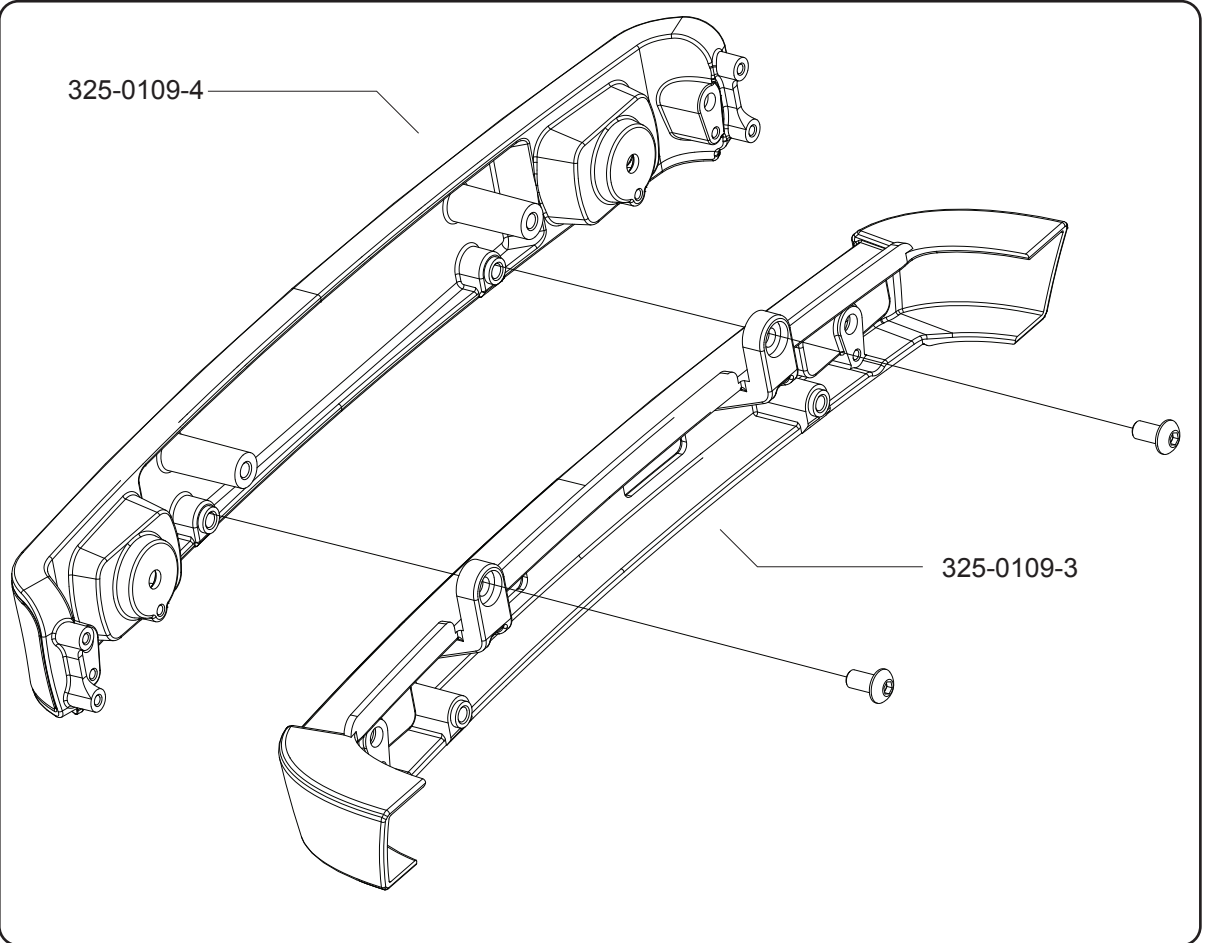
 X4
150-0002
M2 x 4mm SHCS



R4WD

Step 9

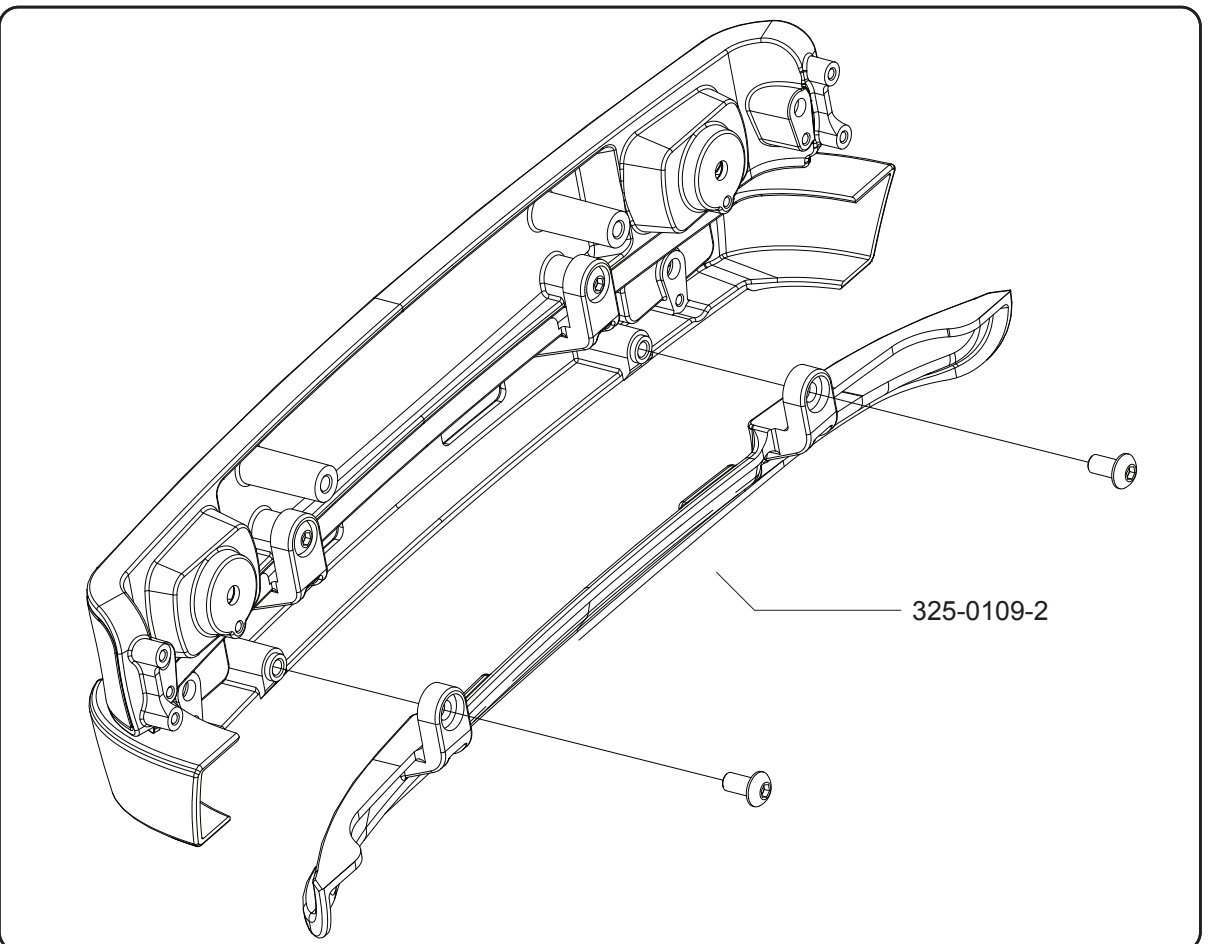
 X2
150-0208
M3 x 6mm
Button ahead
Self Tapping Screws



R4WD

Step 10

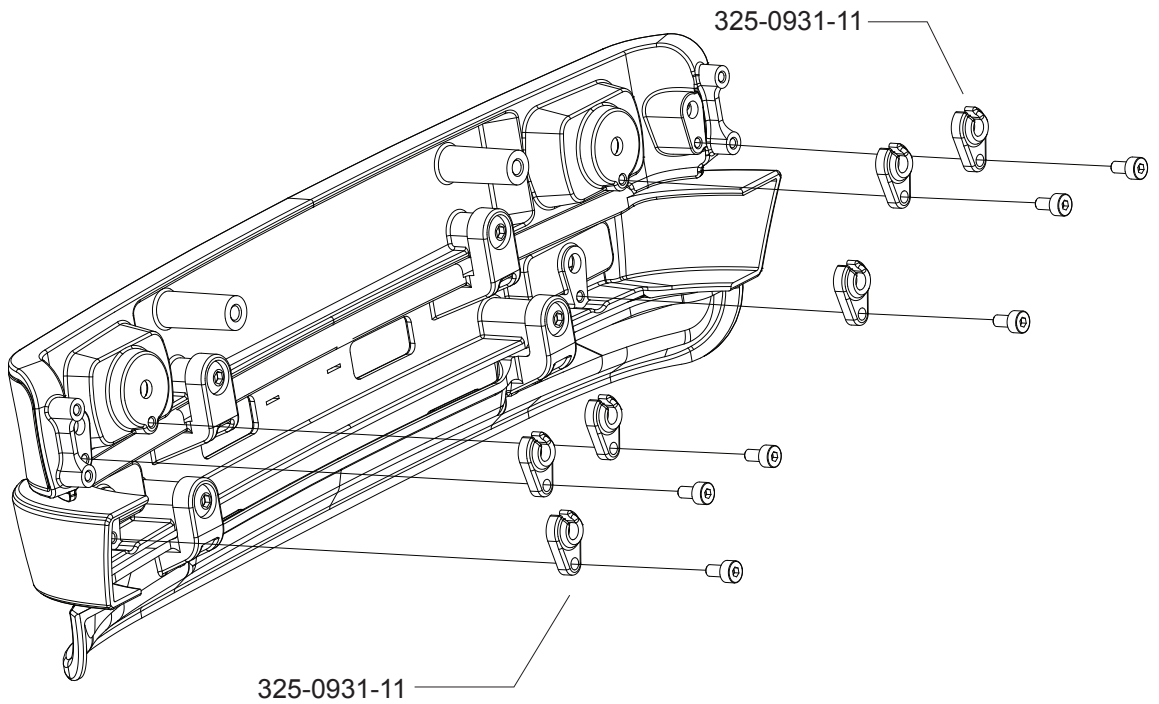
 X2
150-0208
M3 x 6mm
Button ahead
Self Tapping Screws



R4WD

Step 11

 X6
150-0237
M2 x 5mm
Socket Head
Self Tapping Screws

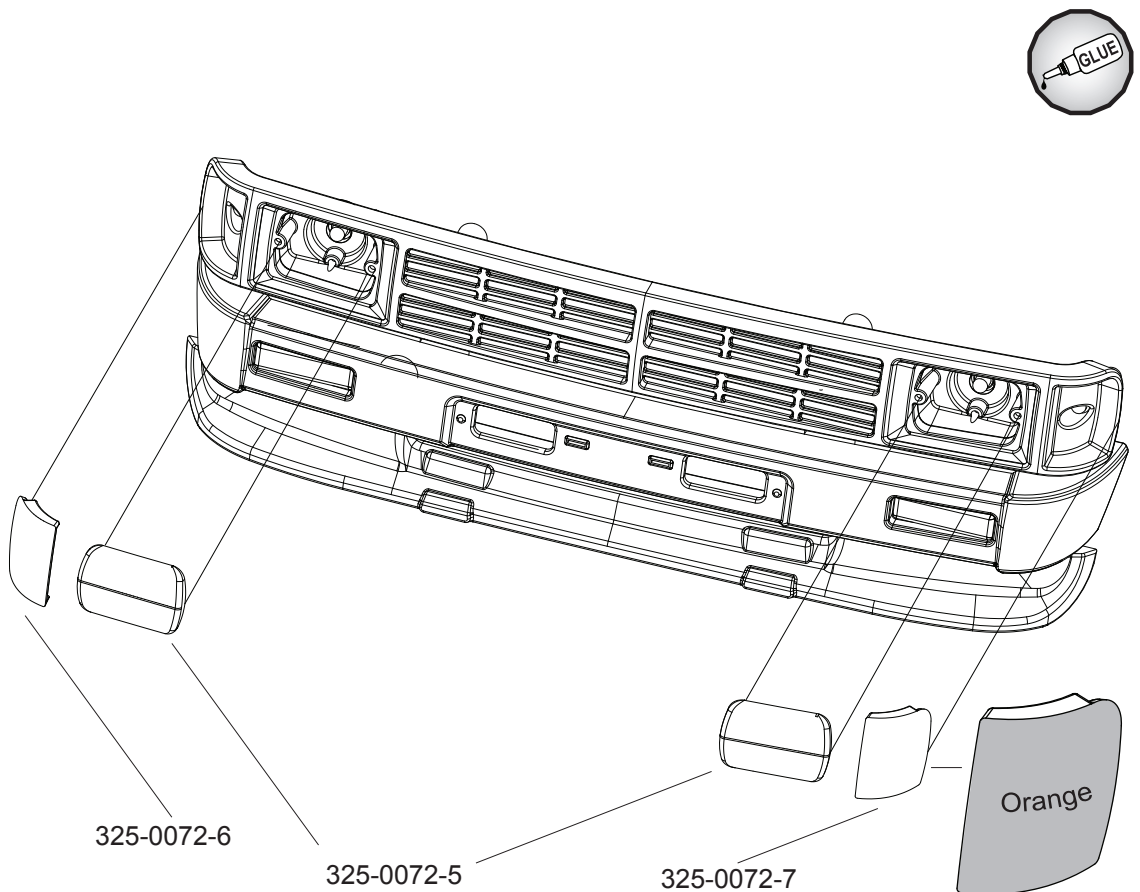


R4WD

Step 12

*Use styrene solvent glue or foam safe super glue.

*Use Tamiya Translucent Paint in the areas labeled with colors on the lights.



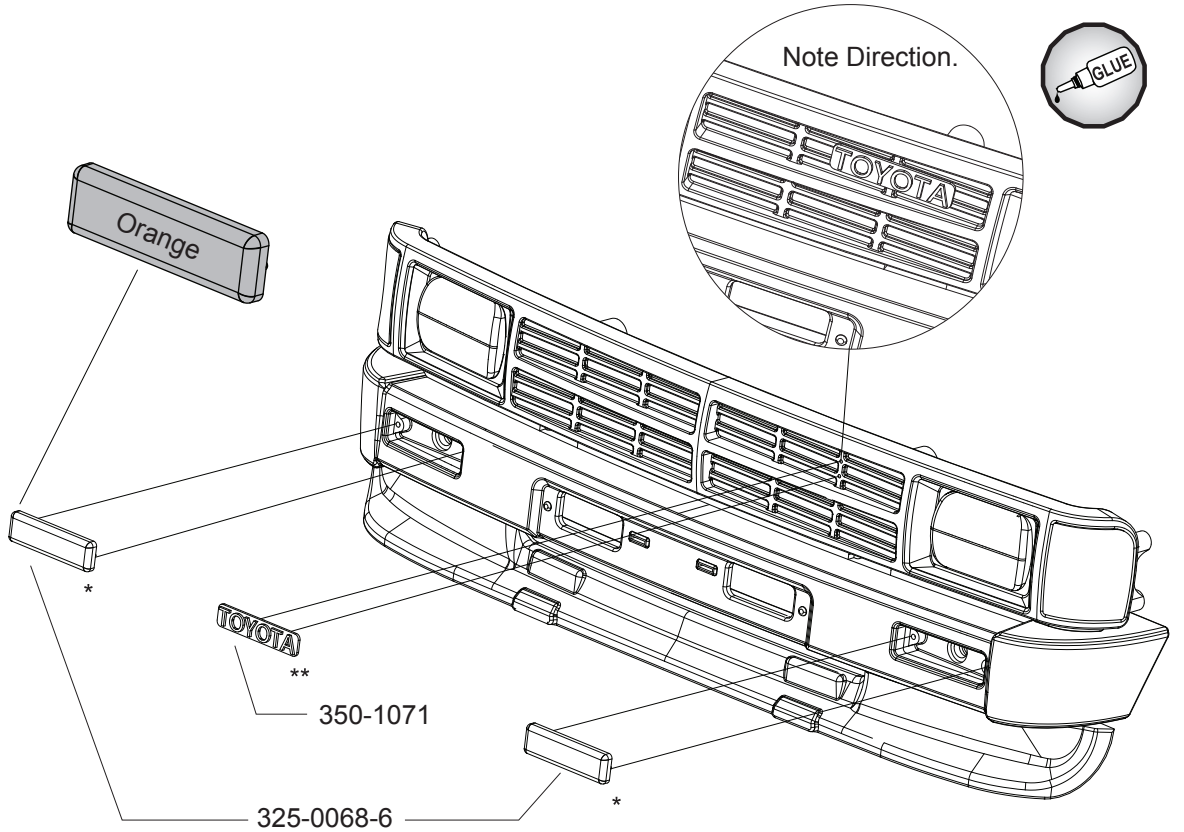
R4WD

Step 13

*Use styrene solvent glue or foam safe super glue.

Use shoe goo or E6000 for emblem.


*Use Tamiya Translucent Paint in the areas labeled with colors on the lights.

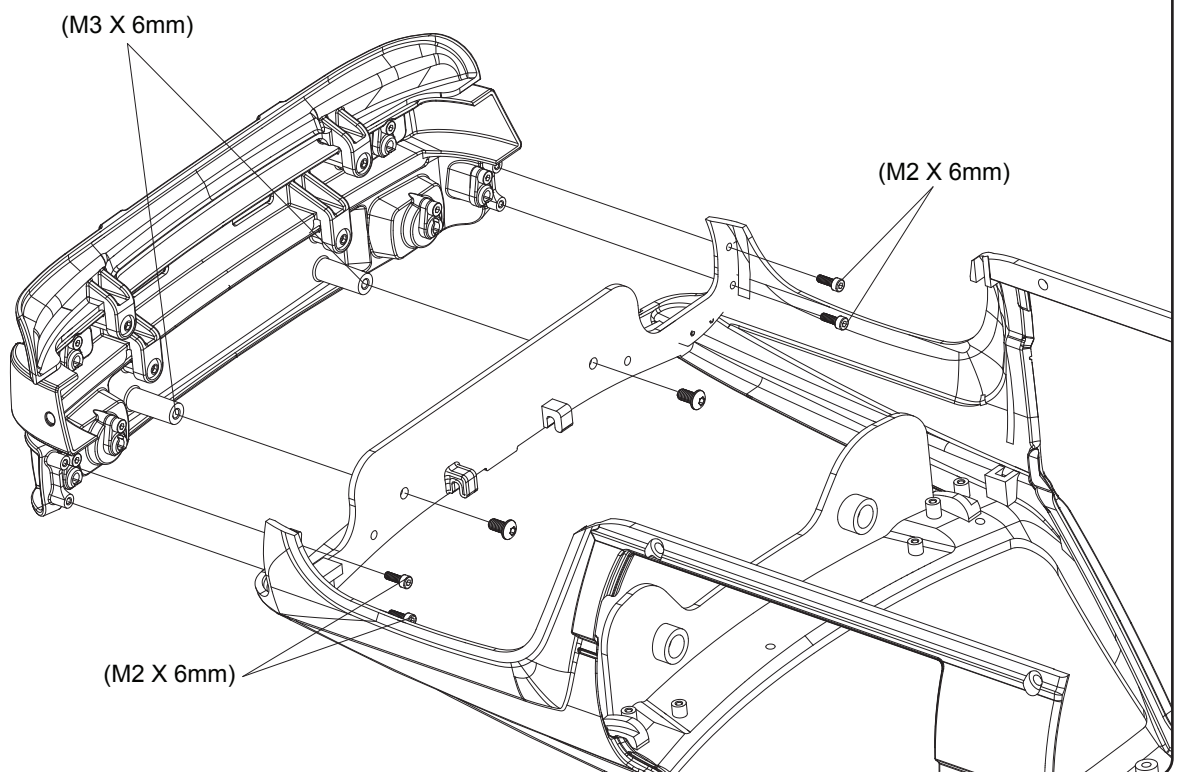


R4WD

Step 14

 X2
150-0208
M3 x 6mm
Cross Head
Self Tapping Screws

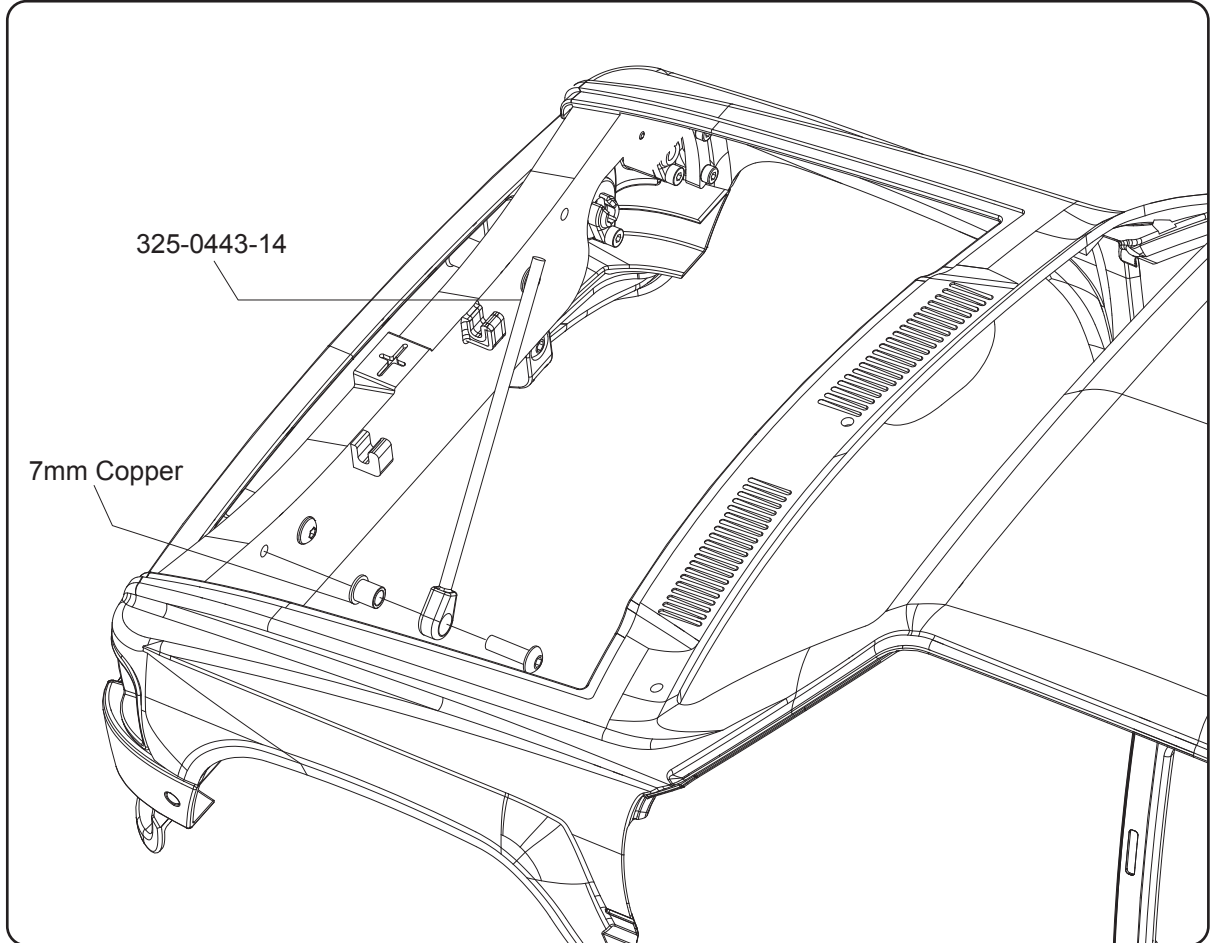
 X4
150-0238
M2 x 6mm
Socket Head
Self Tapping Screws



R4WD

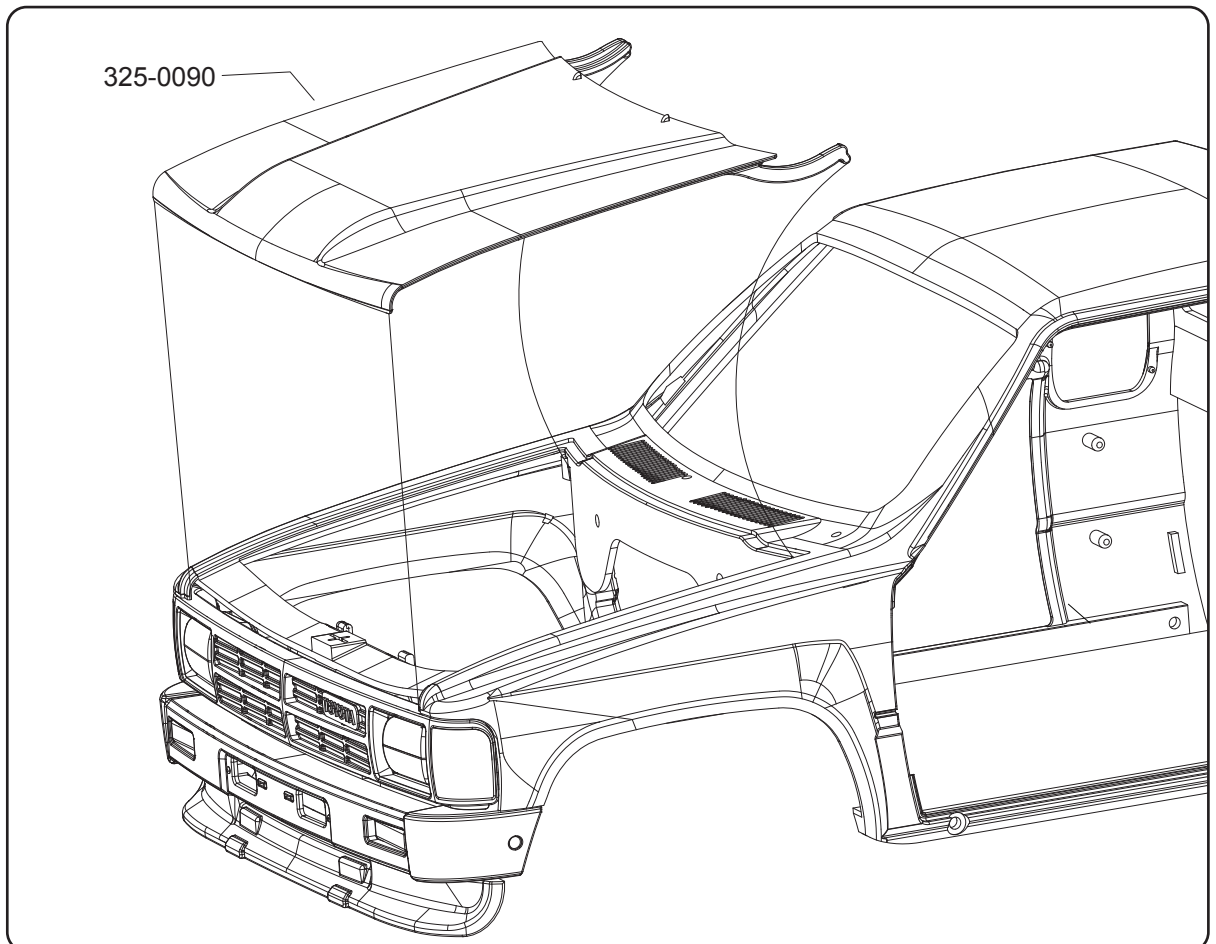
Step 15

 X1
150-0196
M3 x 10mm
Cross Head
Self Tapping Screws



R4WD


Step 16



R4WD

Step 17

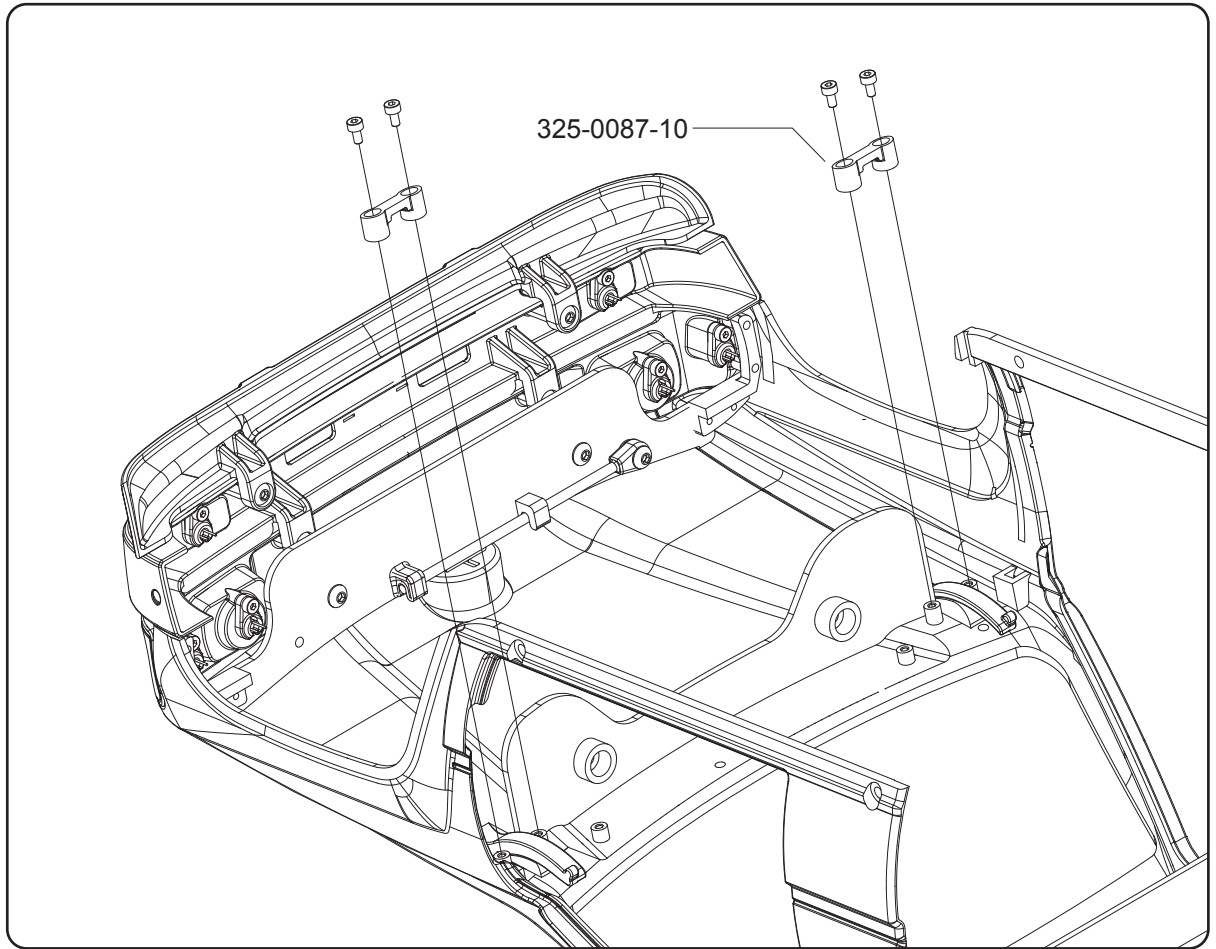
Over tightening the brackets may cause the hood to stick when opening.

 X4

150-0237

M2 x 5mm

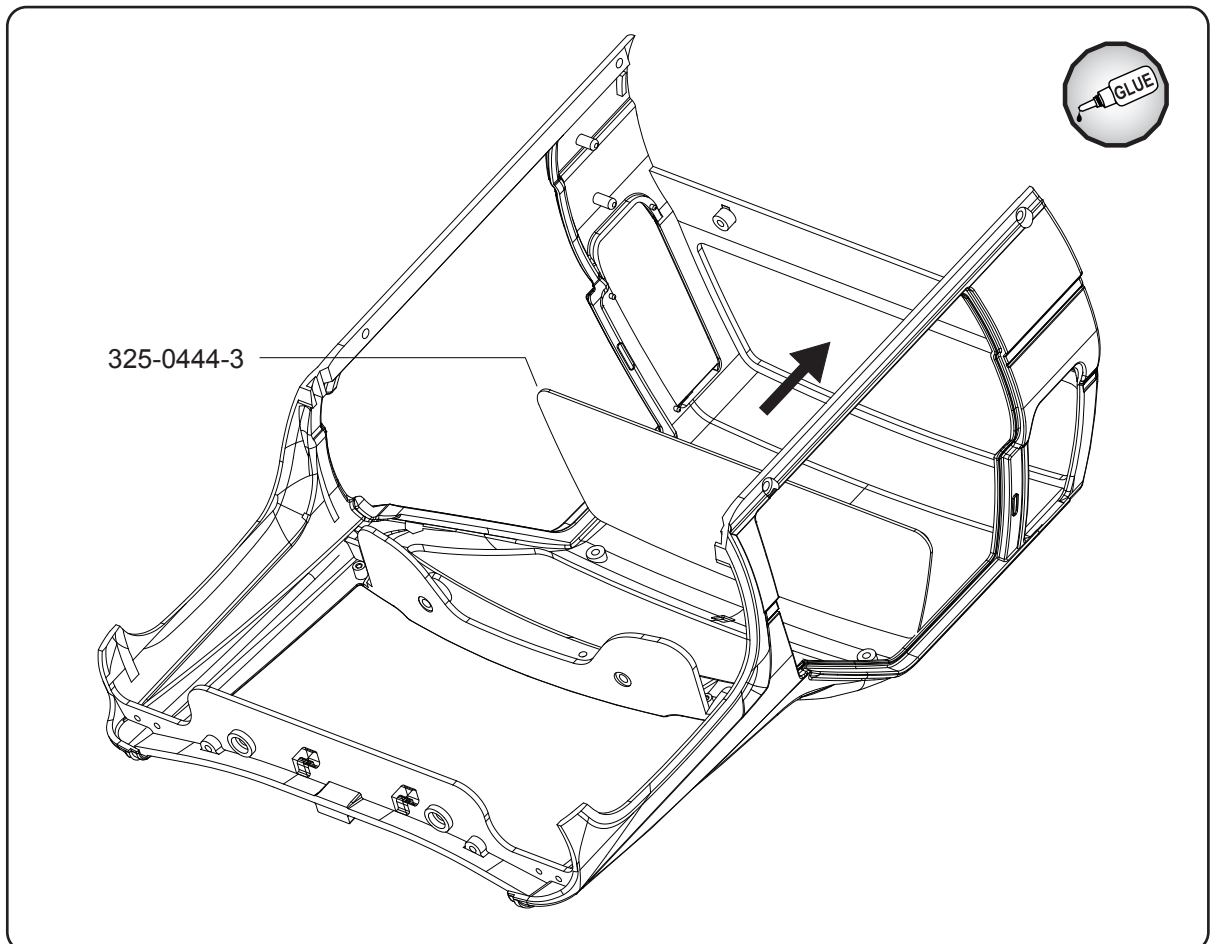
Socket Head
Self Tapping Screws



R4WD

Step 18

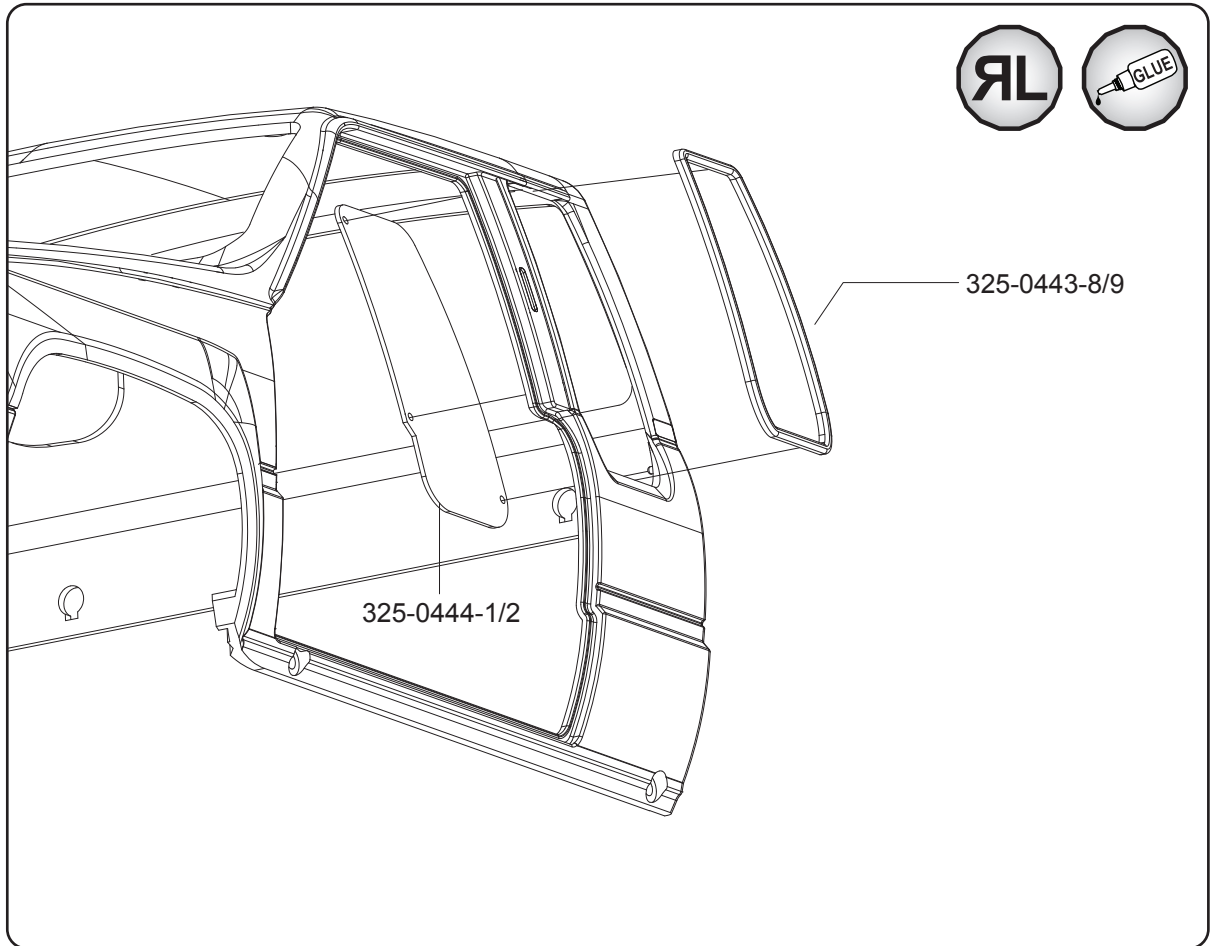
*Use styrene solvent glue or foam safe super glue.



RLWD

Step 19

*Use styrene solvent glue or foam safe super glue.

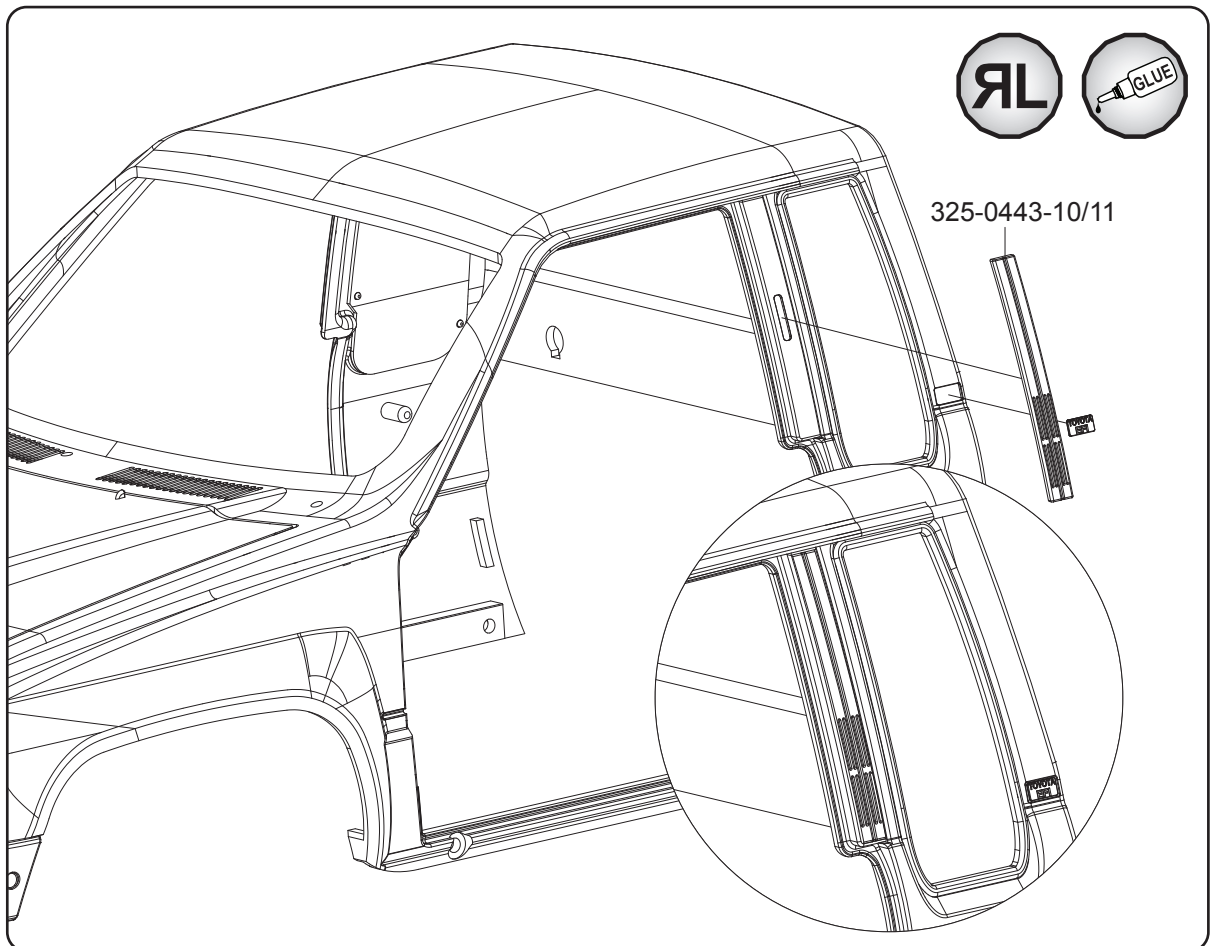


RLWD

Step 20

*Use styrene solvent glue or foam safe super glue.

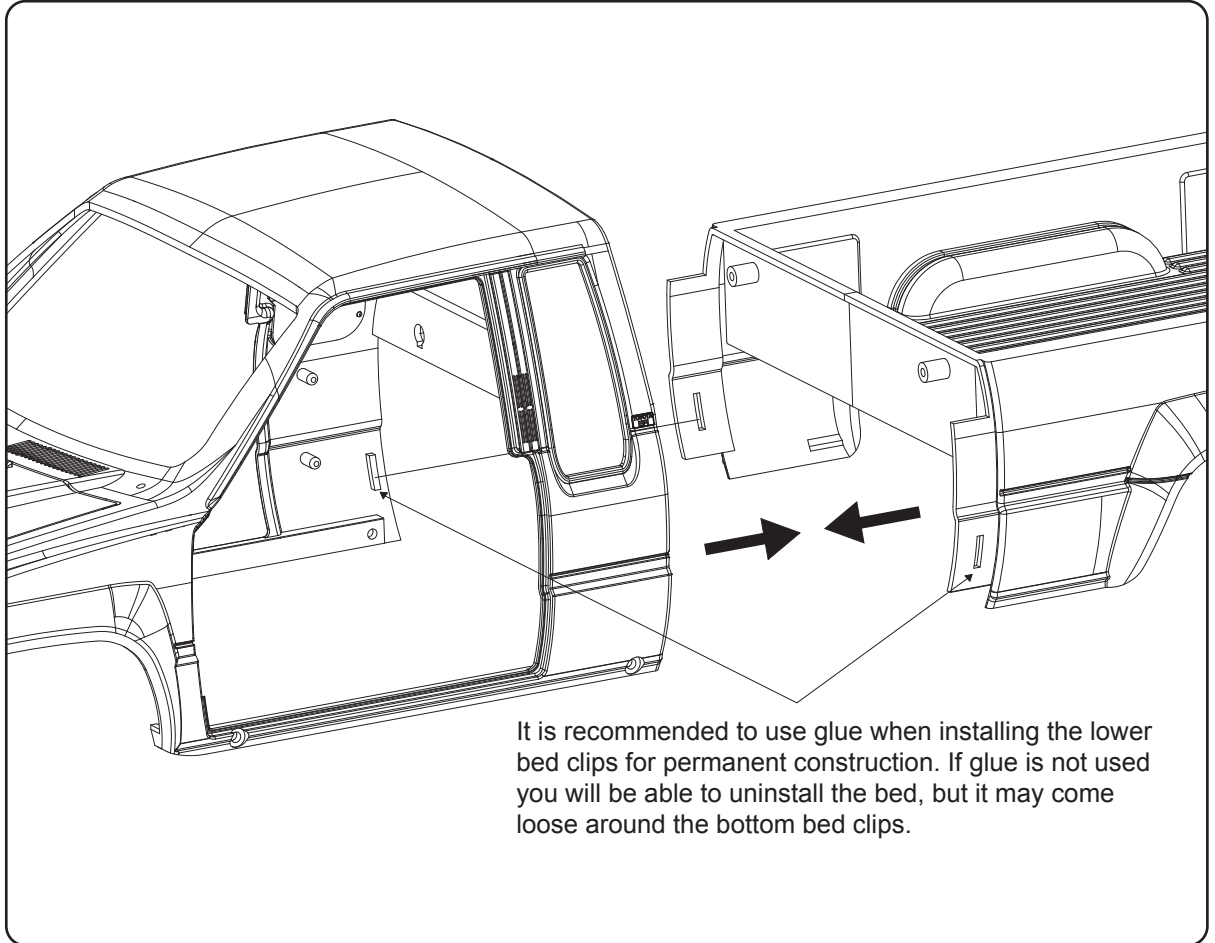
Use shoe goo or E6000 for emblem.



R4WD

Step 21

*Use styrene solvent glue or foam safe super glue.



It is recommended to use glue when installing the lower bed clips for permanent construction. If glue is not used you will be able to uninstall the bed, but it may come loose around the bottom bed clips.

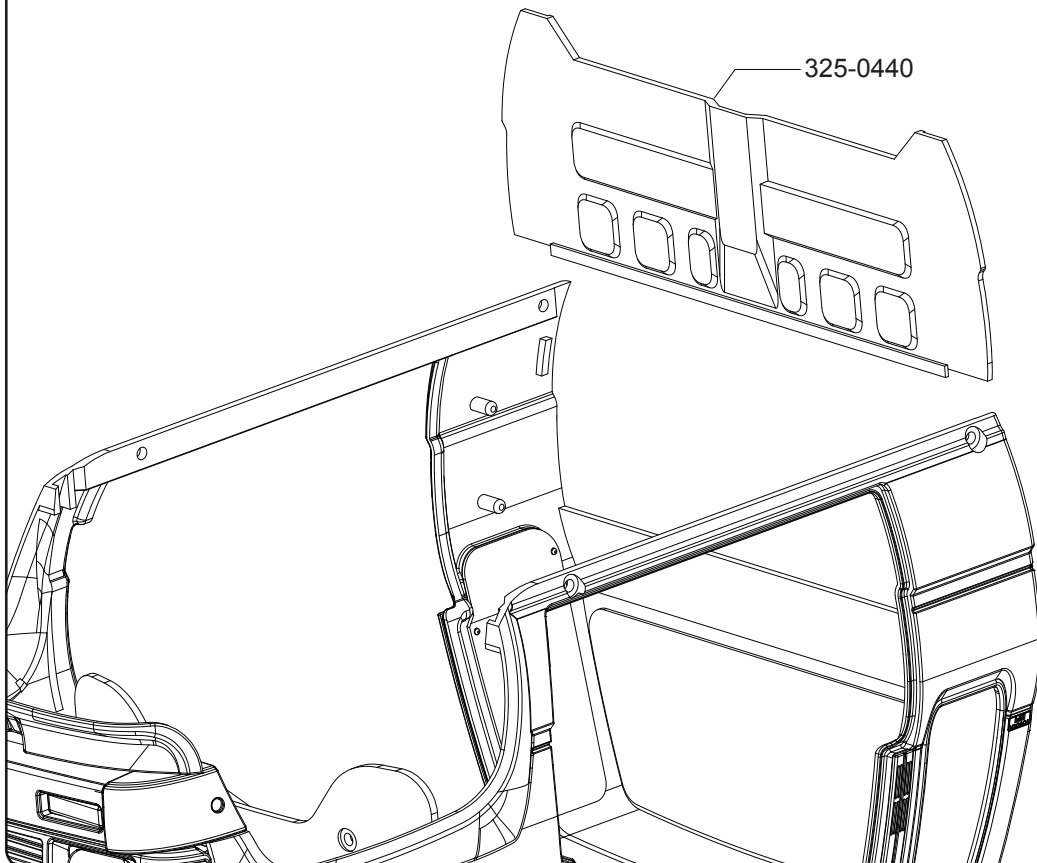
R4WD

Step 22

*Use styrene solvent glue or foam safe super glue.

Install the Cab Back if not using the bed.

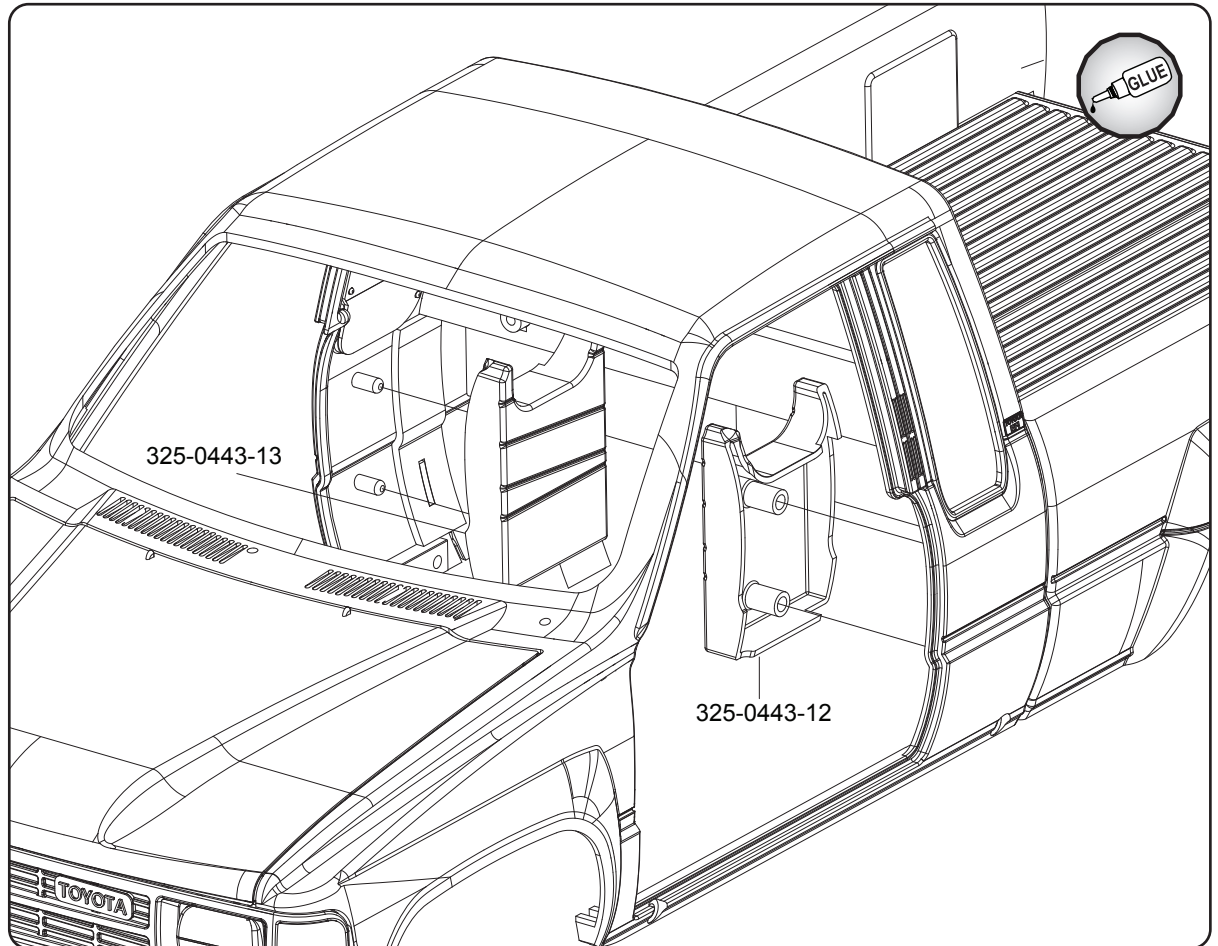
Installing optional Cab Back. Optional Cab Back can't be installed together with rear bed.



R4WD

Step 23

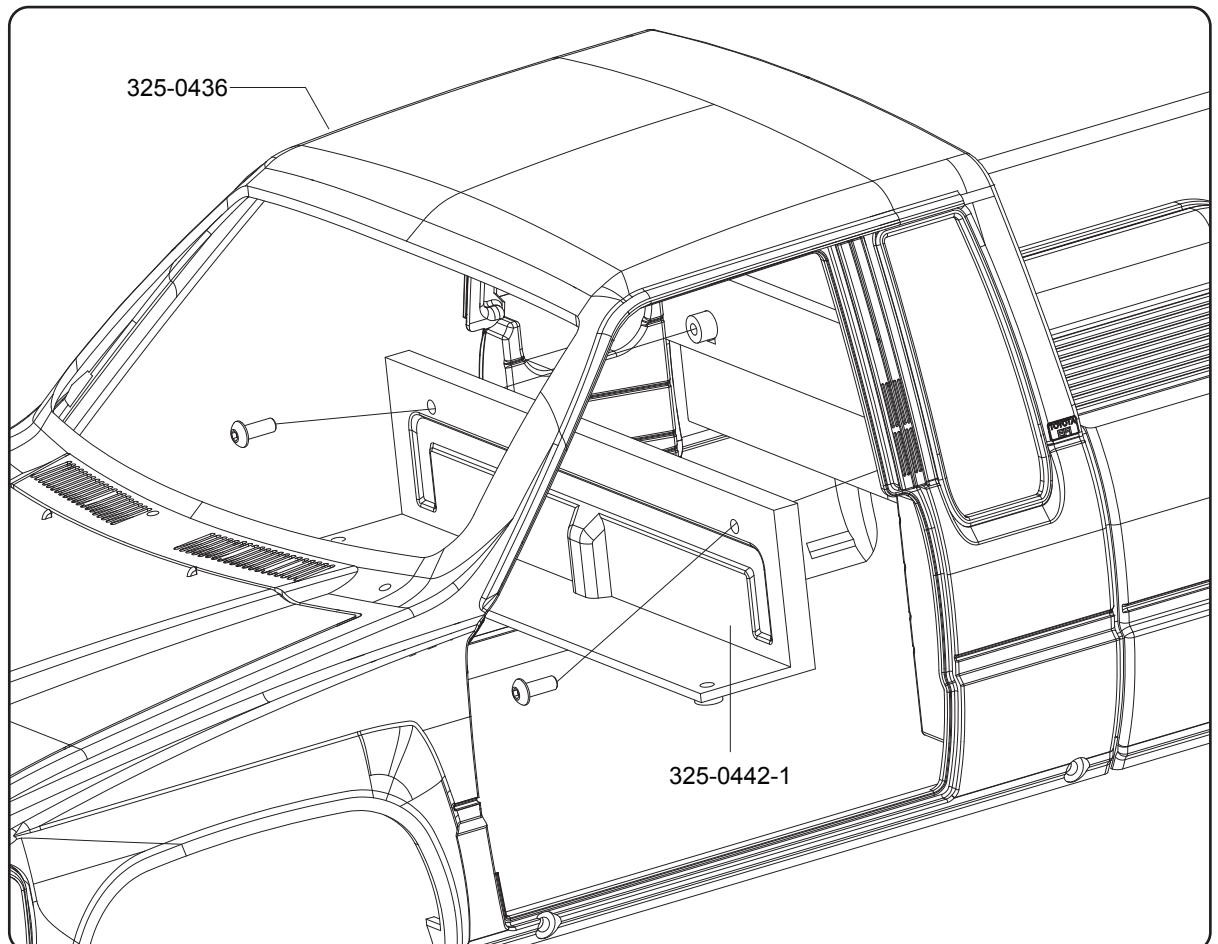
*Use styrene solvent glue or foam safe super glue.



R4WD

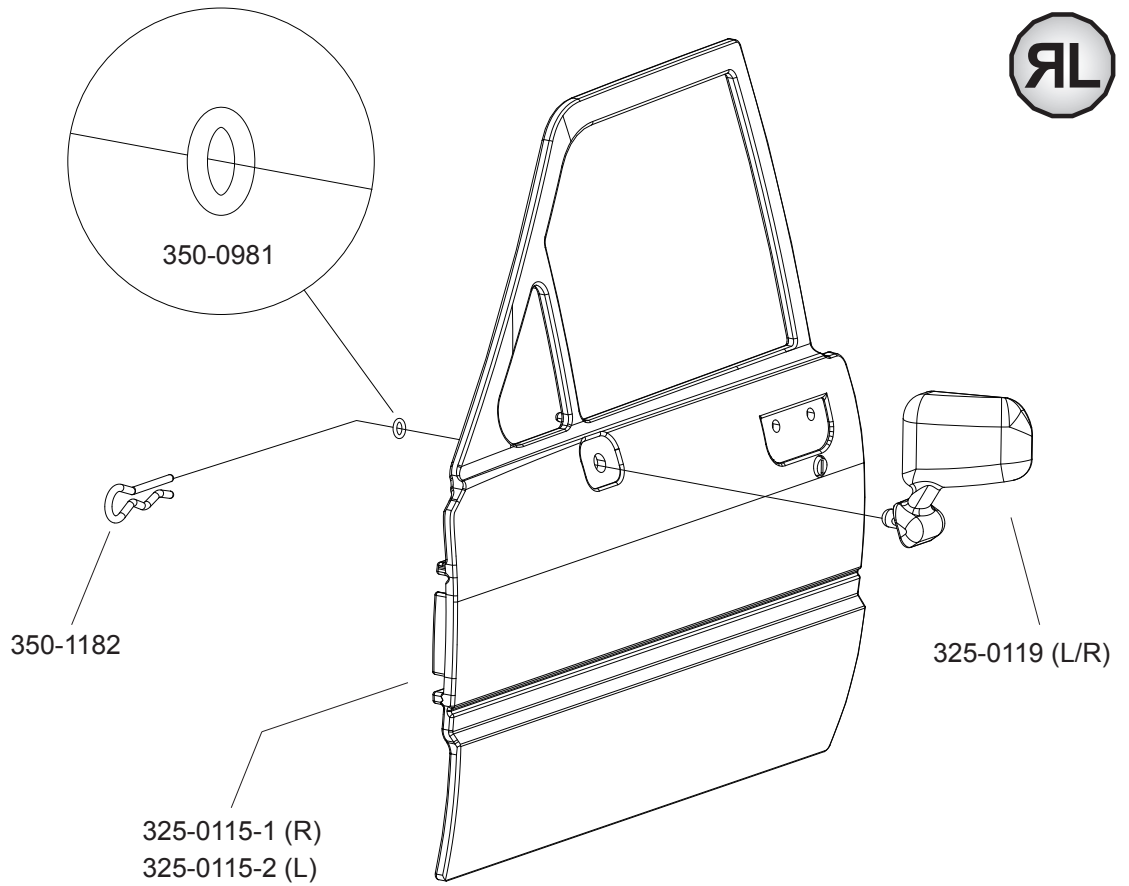
Step 24

 X2
150-0195
M3 x 8mm
Button Head
Self Tapping Screws



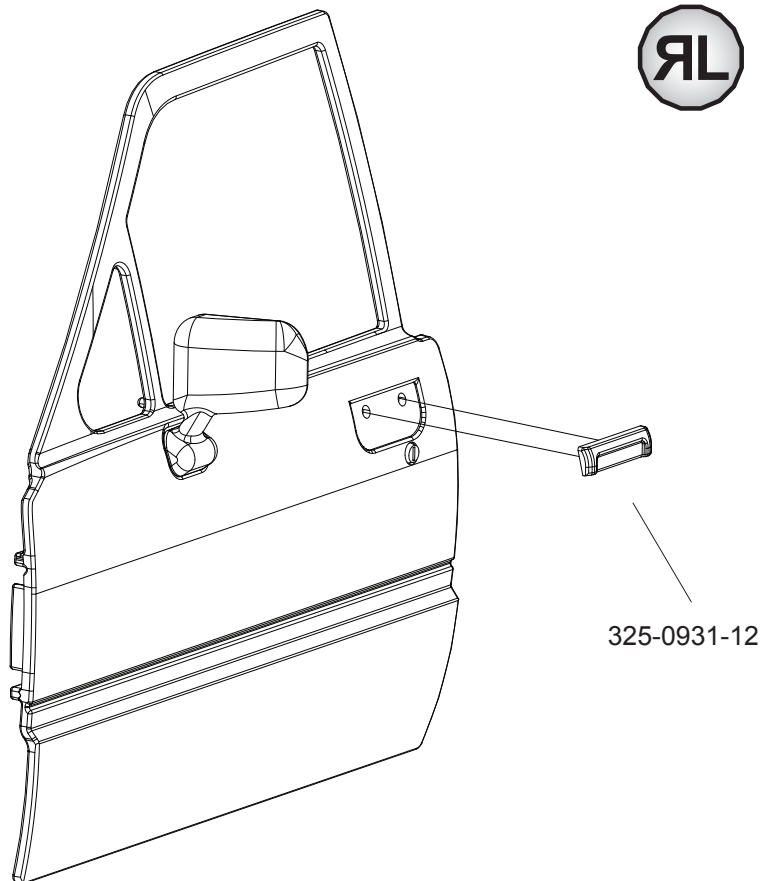
RLWD
Step 25

*Install Chrome
Mirror Stickers
101-0074.



RLWD
Step 26

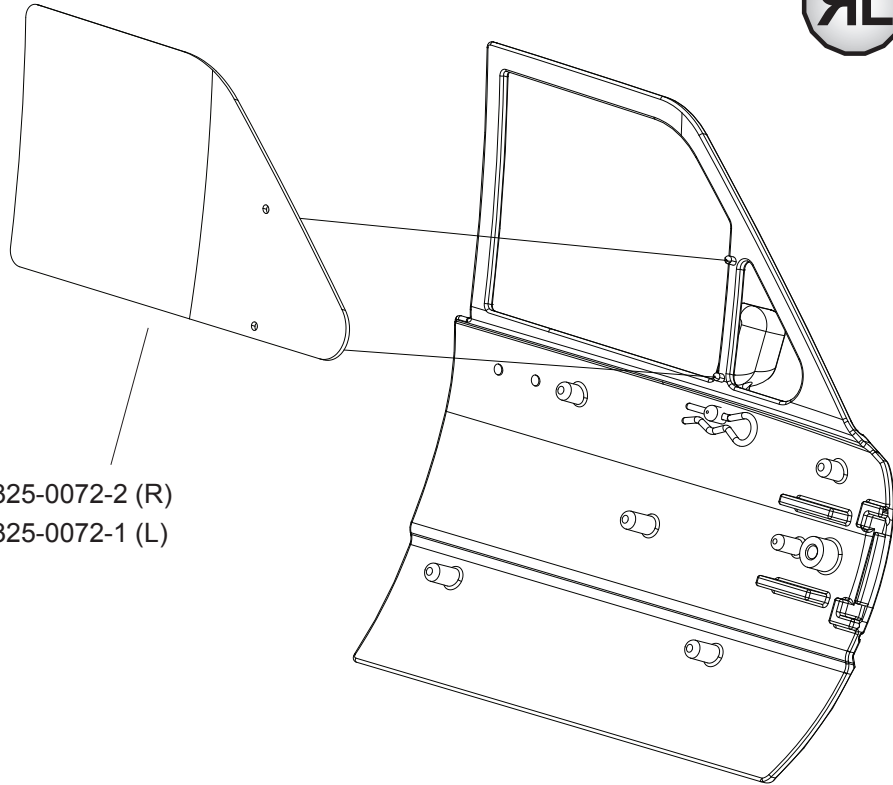
Use styrene solvent
glue or foam safe
super glue.



R4WD

Step 27

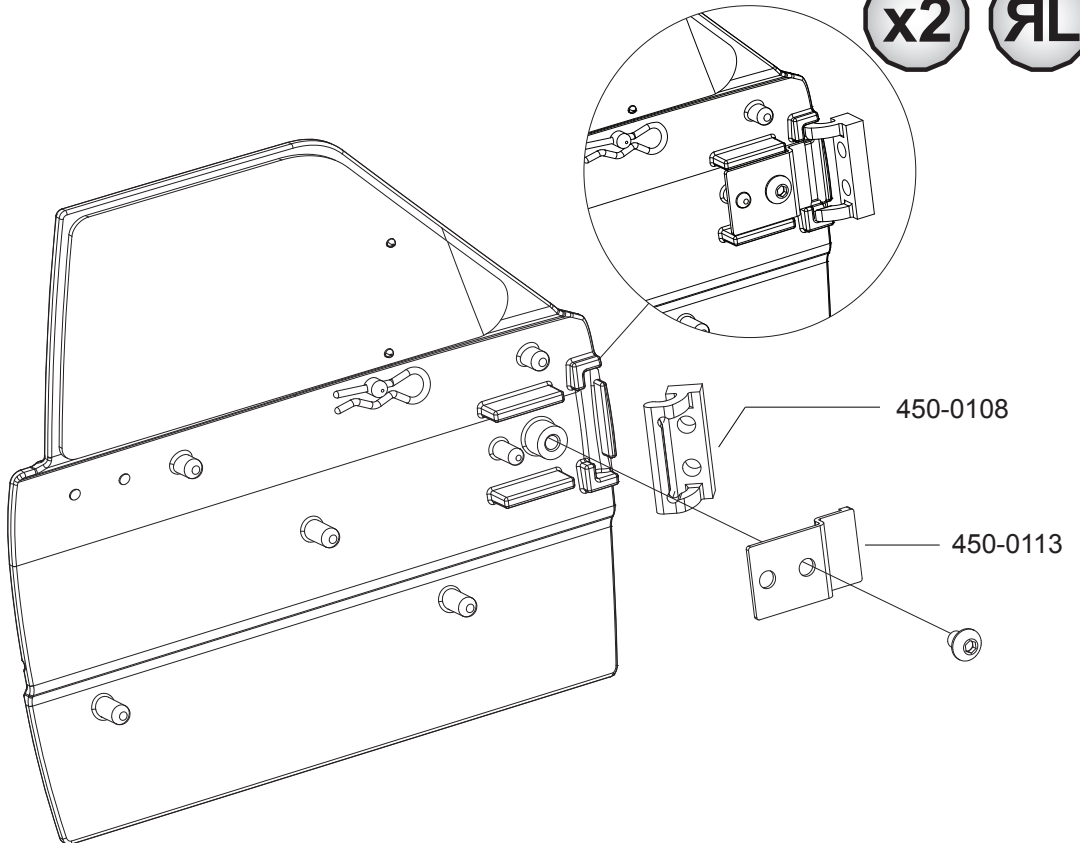
*Use styrene solvent glue or foam safe super glue.



R4WD

Step 28

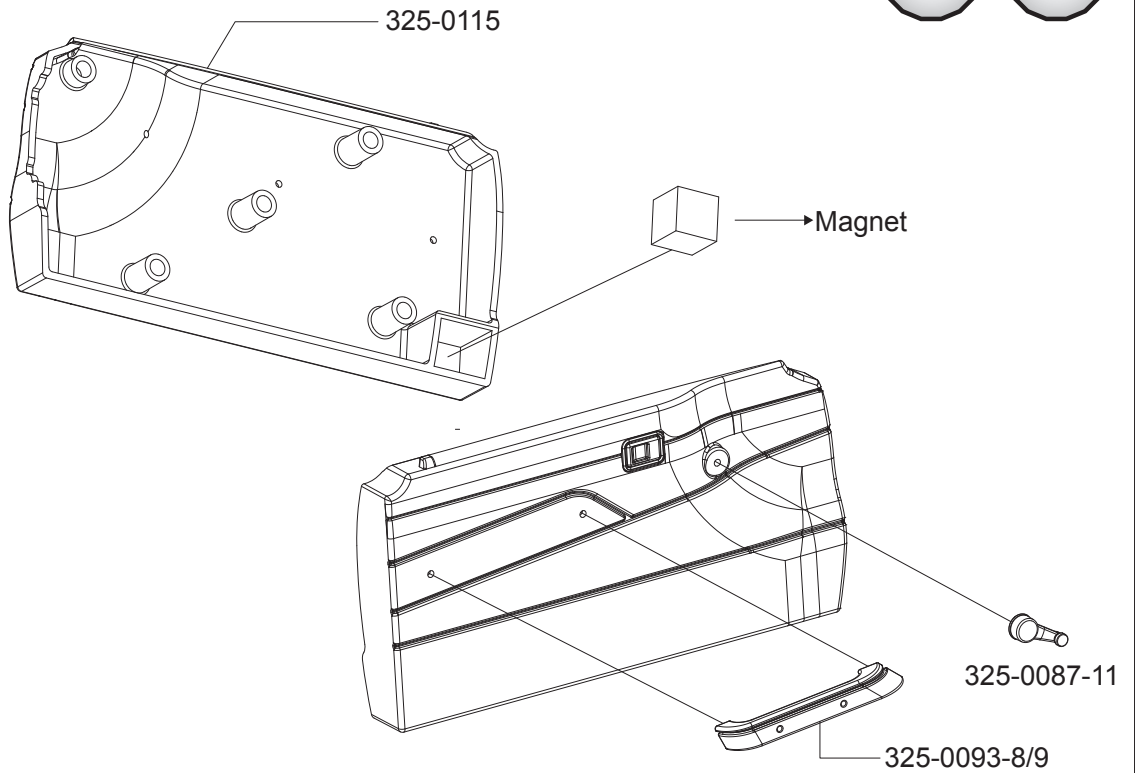
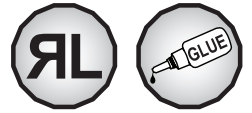
 X2
150-0239
M3 x 4mm
Button ahead
Self Tapping Screws



RLWD
Step 29

*Use styrene solvent glue or foam safe super glue for the door panel details.

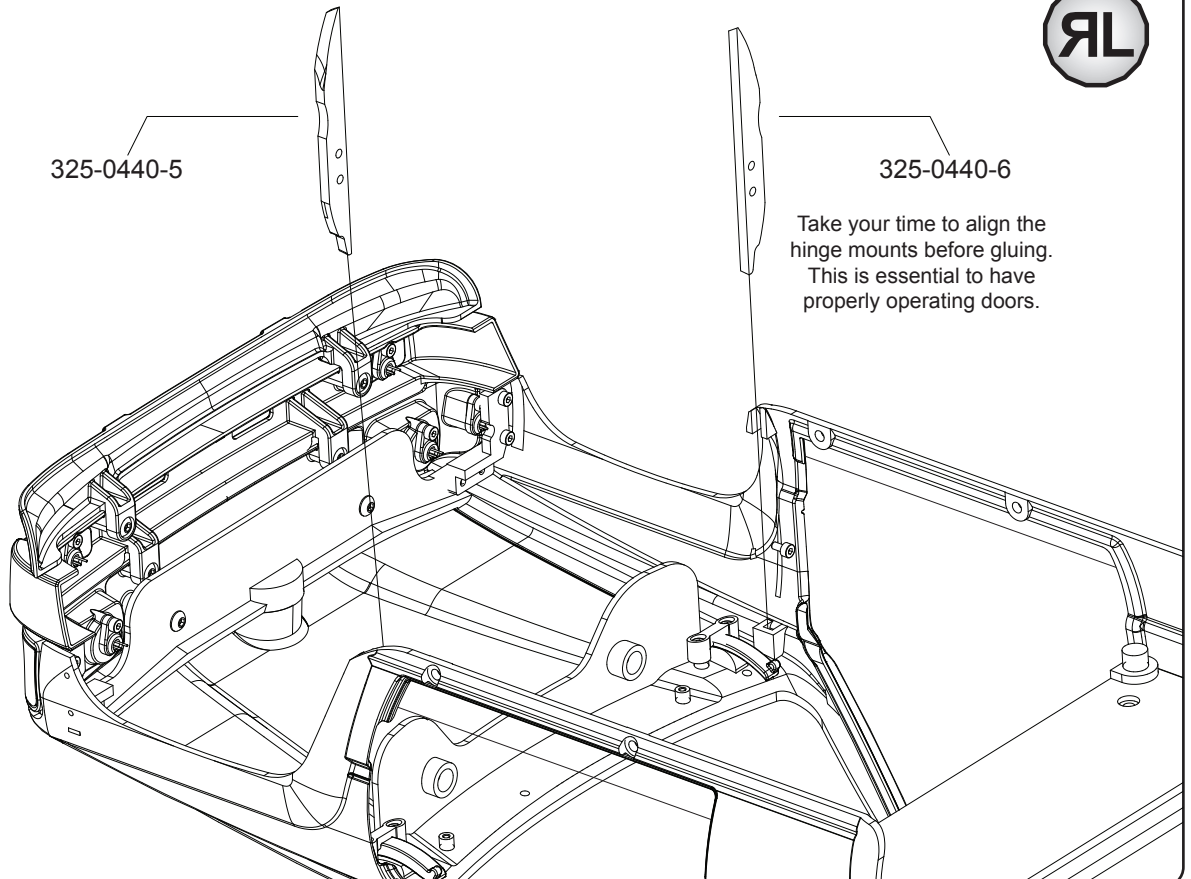
Use shoe goo or E6000 for the magnet.



RLWD
Step 30

*Use 2 part epoxy or E6000 to glue the hinge mounts in place.

*Do not glue until proper alignment is achieved in Step 29.

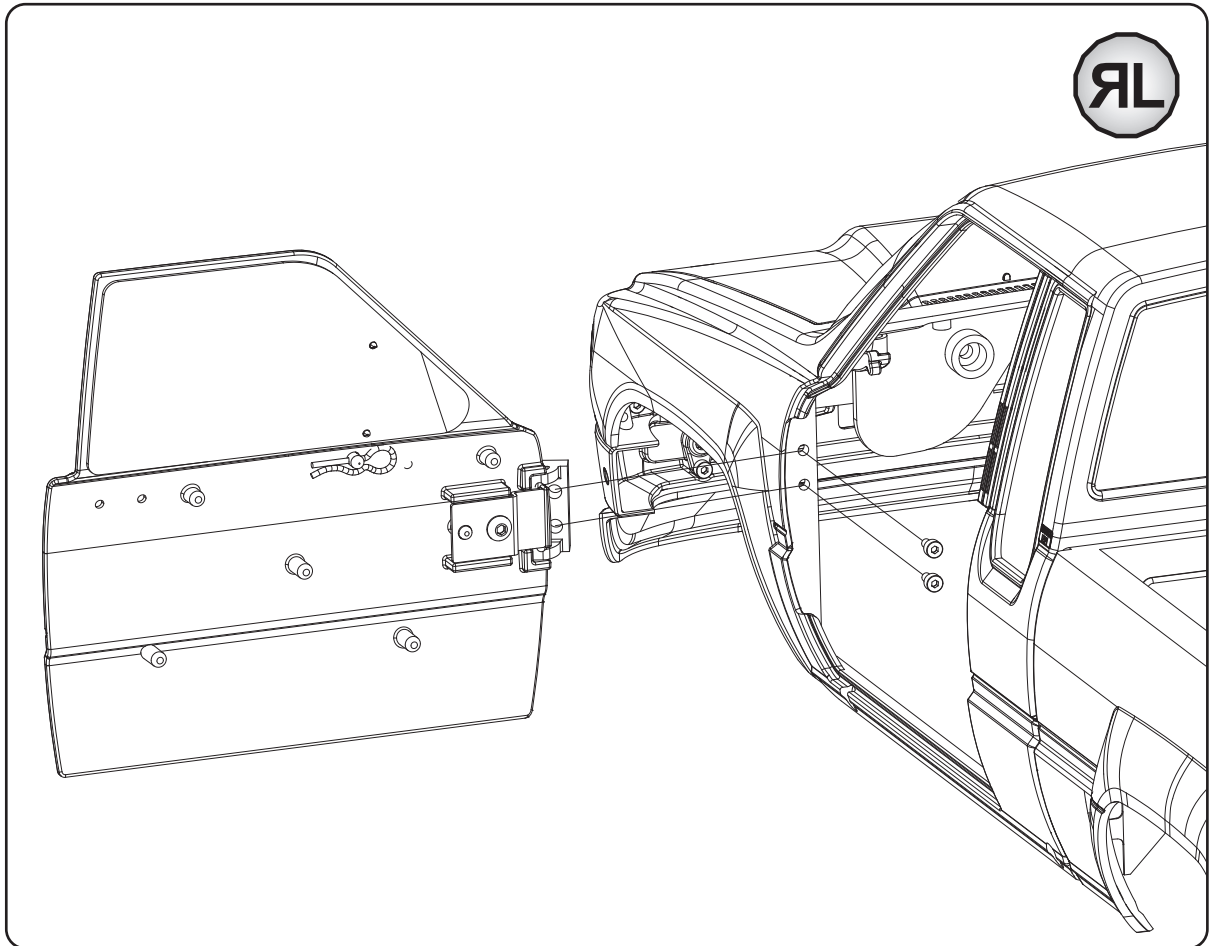


R4WD

Step 31

 X4

150-0195
M3 x 8mm
Cross Head
Self Tapping Screws



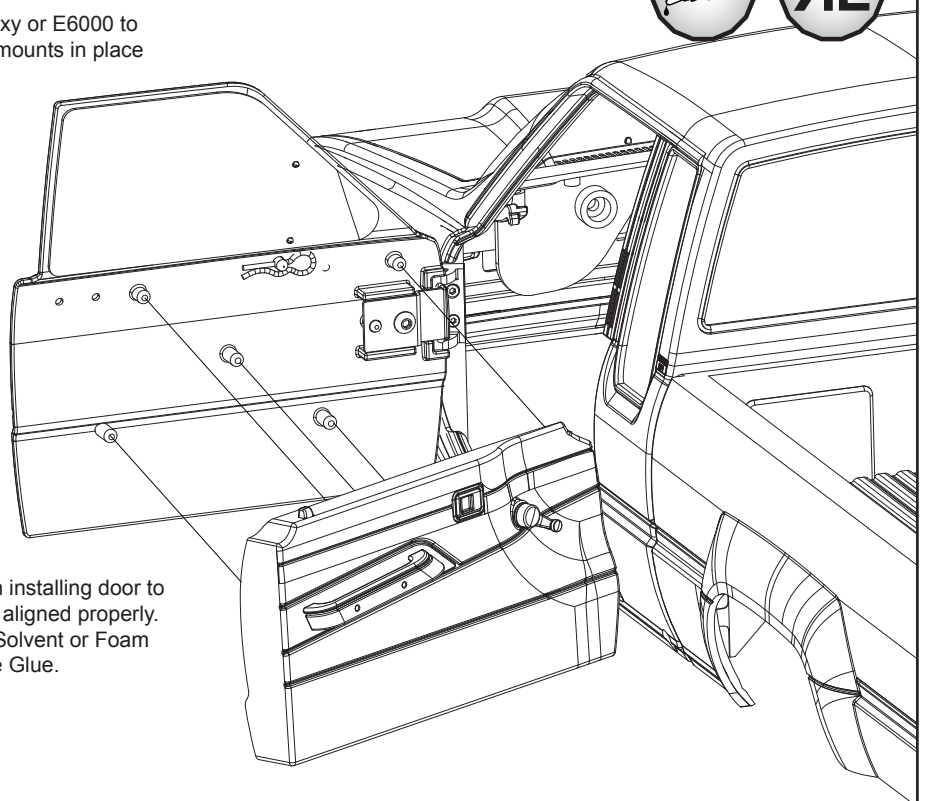
R4WD

Step 32

*Recommend styrene solvent glue or Foam Safe Super Glue for the inner door panels.

*Assure doors are properly aligned and glue piece from Step 28 in place.

Use 2 part epoxy or E6000 to glue the hinge mounts in place



Take care when installing door to make sure it is aligned properly. Use Styrene Solvent or Foam Safe Glue.

R4WD

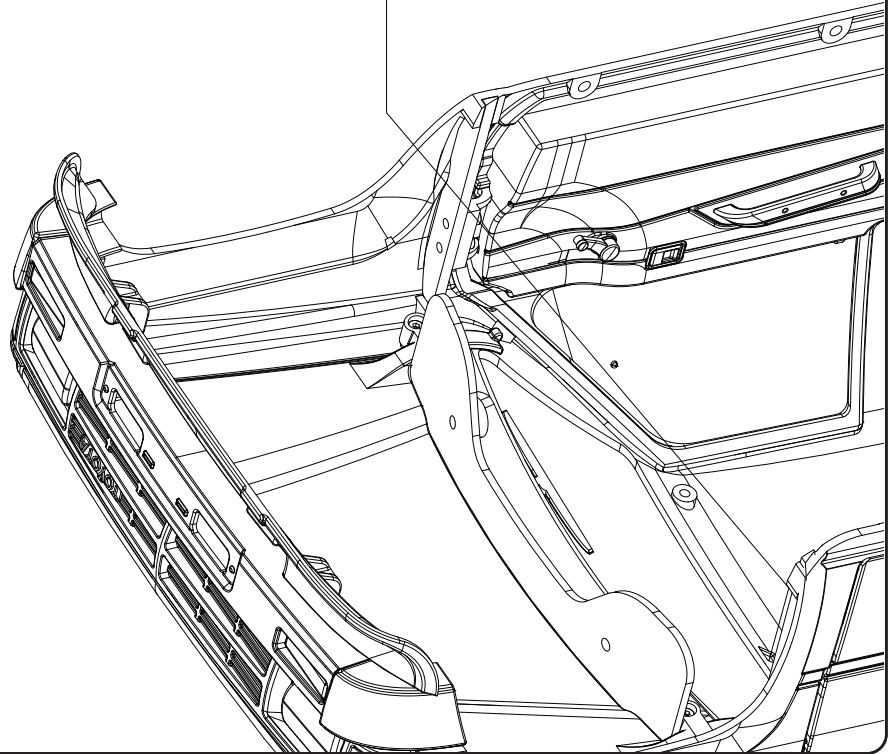
Step 33

*Use styrene solvent glue or foam safe super glue.

*Install Chrome Mirror Stickers 101-0074.


325-0087-3

*Install mirror sticker before gluing in place.



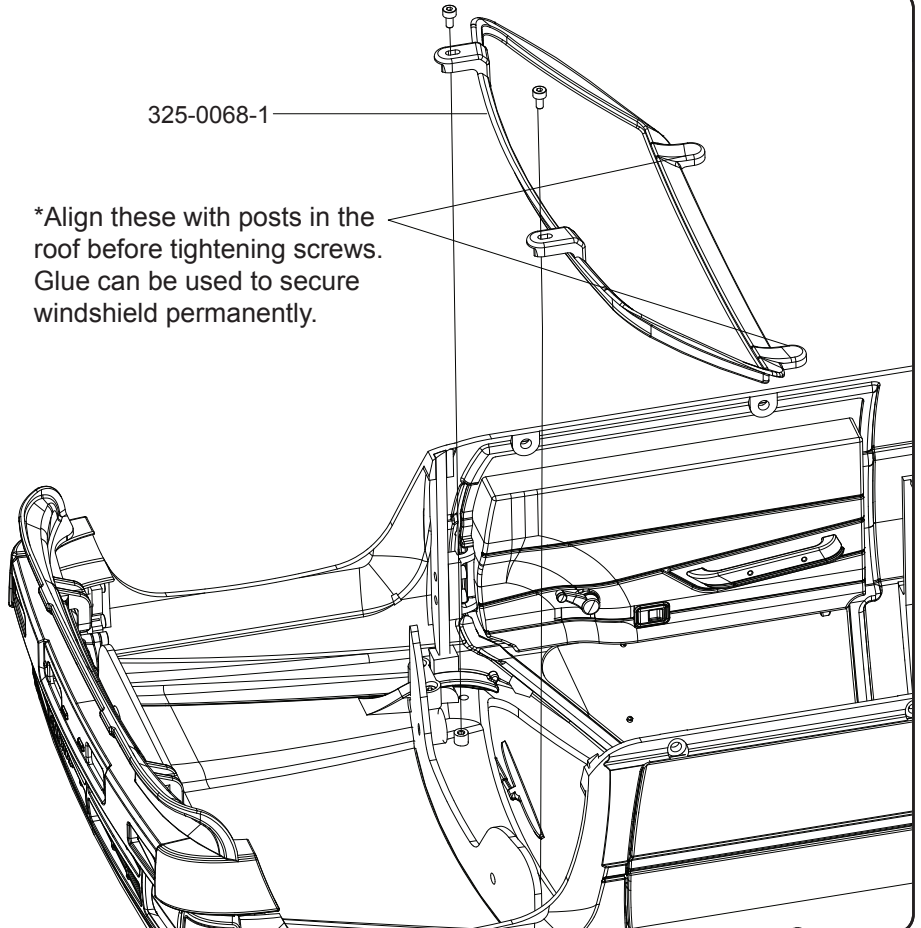
R4WD

Step 34

 X2
150-0002
M2 x 4mm SHCS

325-0068-1

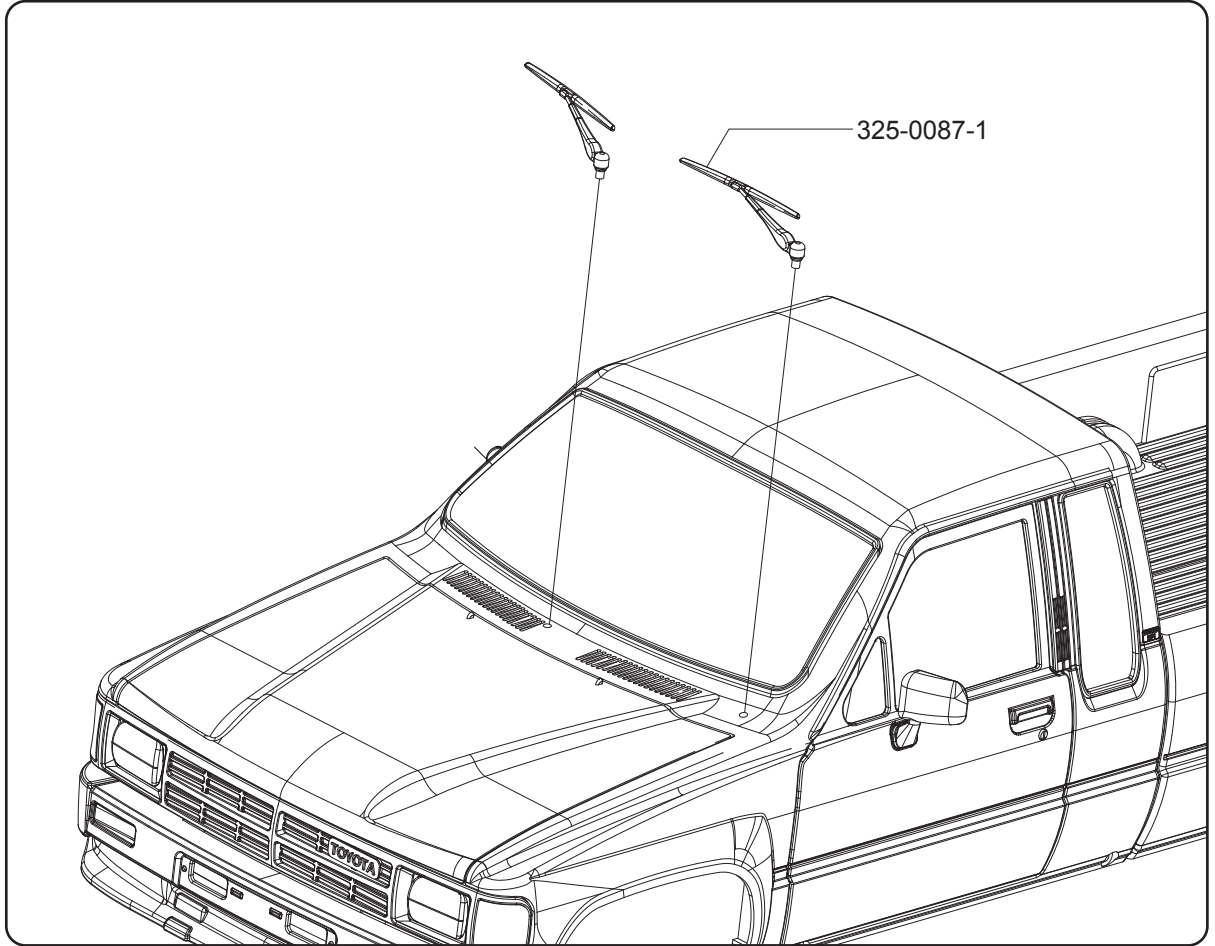
*Align these with posts in the roof before tightening screws.
Glue can be used to secure windshield permanently.



R4WD

Step 35

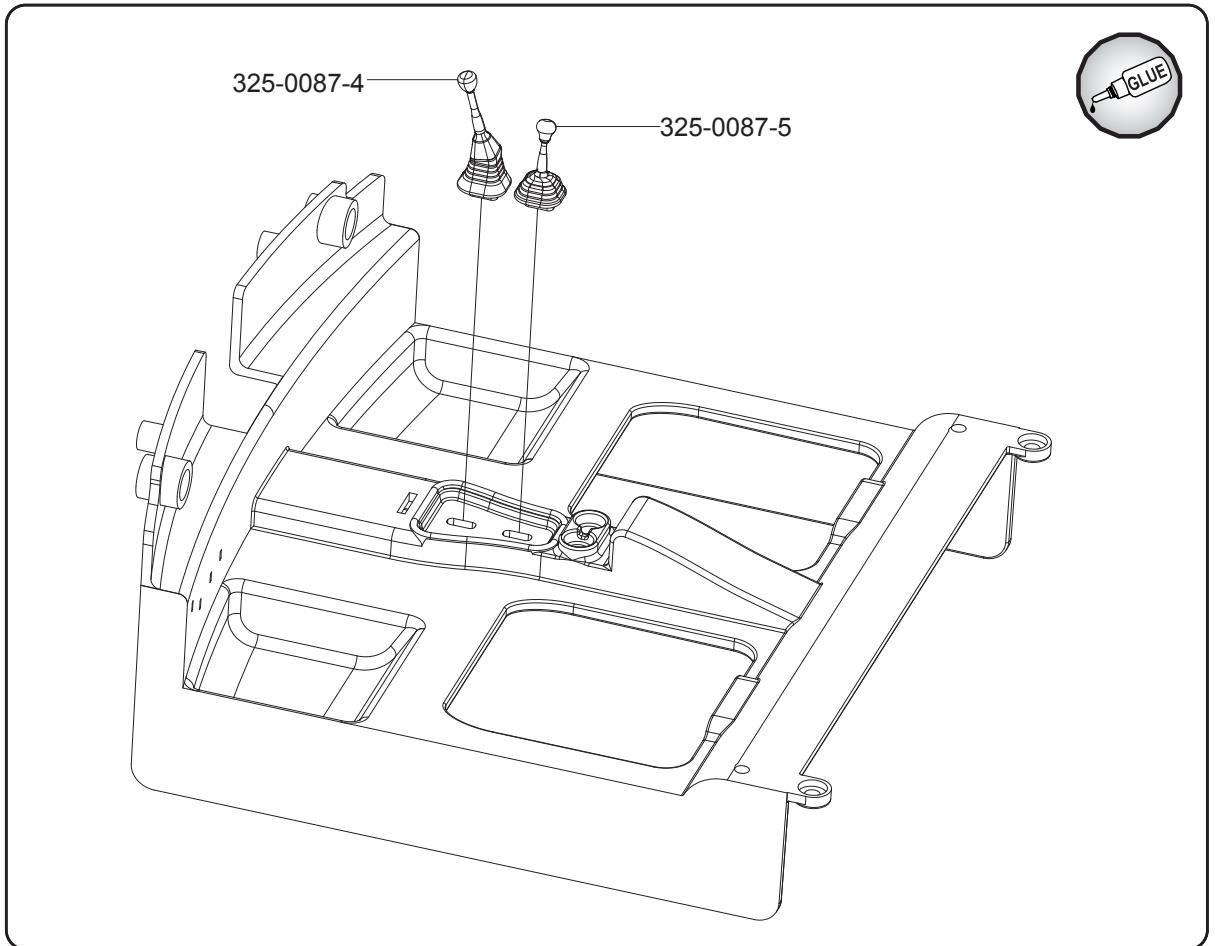
*Use styrene solvent glue or foam safe super glue.



R4WD

Step 36

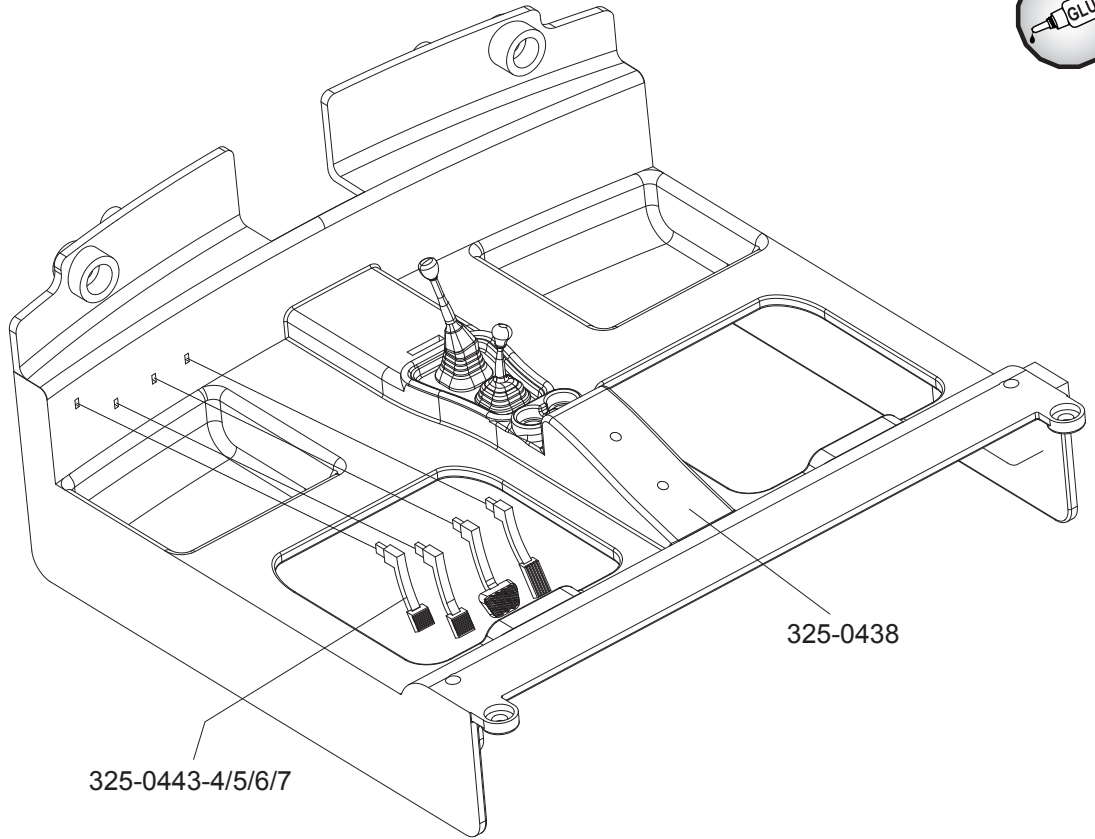
*Use styrene solvent glue or foam safe super glue.



R4WD

Step 37

*Use styrene solvent glue or foam safe super glue.

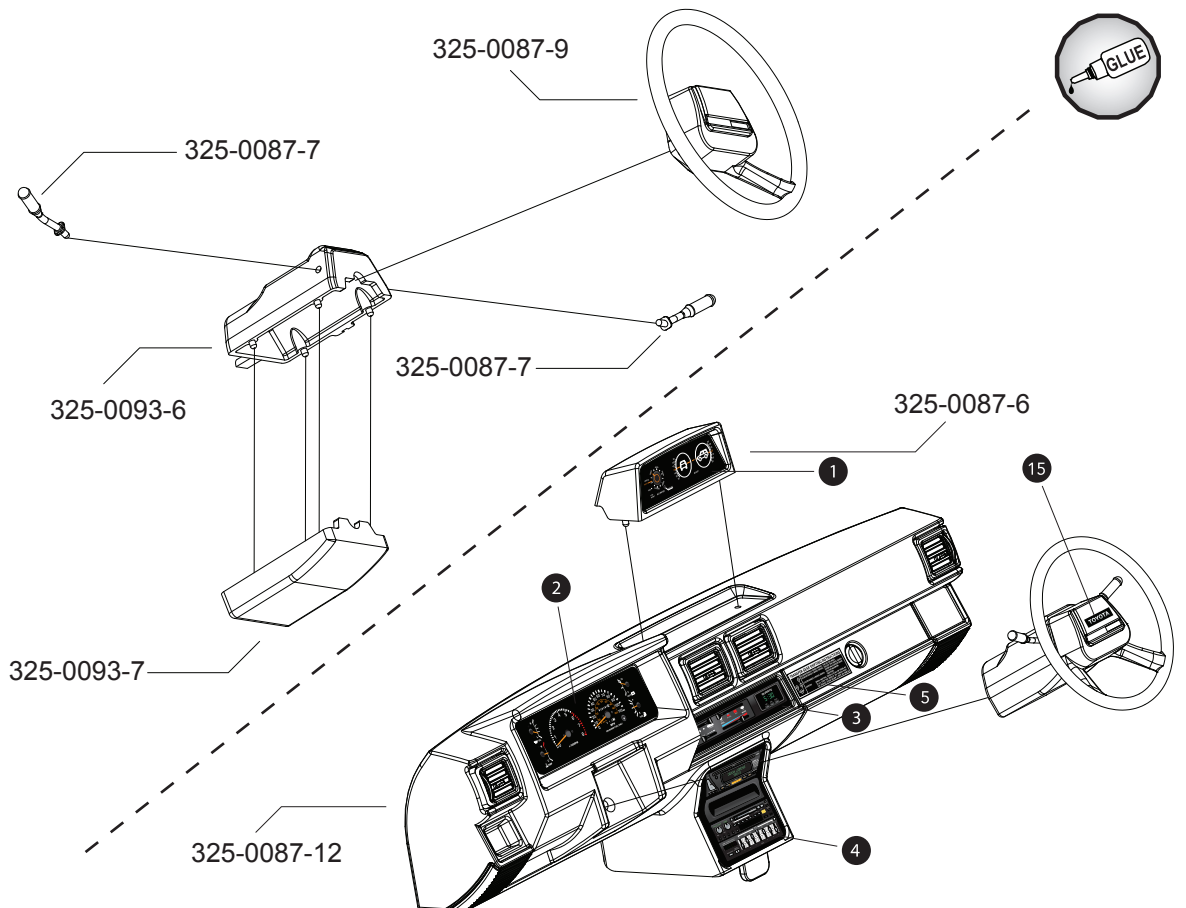


R4WD

Step 38

*Use styrene solvent glue or foam safe super glue.

*Note installation of dashboard stickers

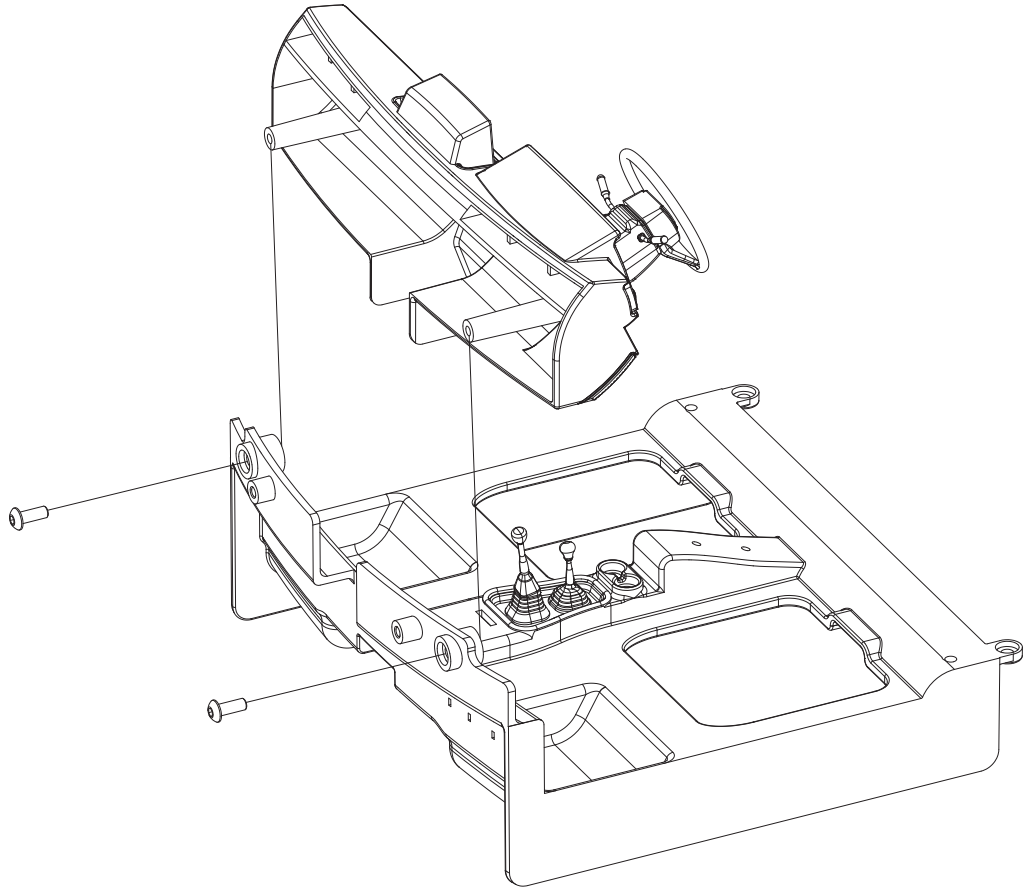


R4WD

Step 39


 X2

150-0195
M3 x 8mm
Cross Head
Self Tapping Screws



R4WD

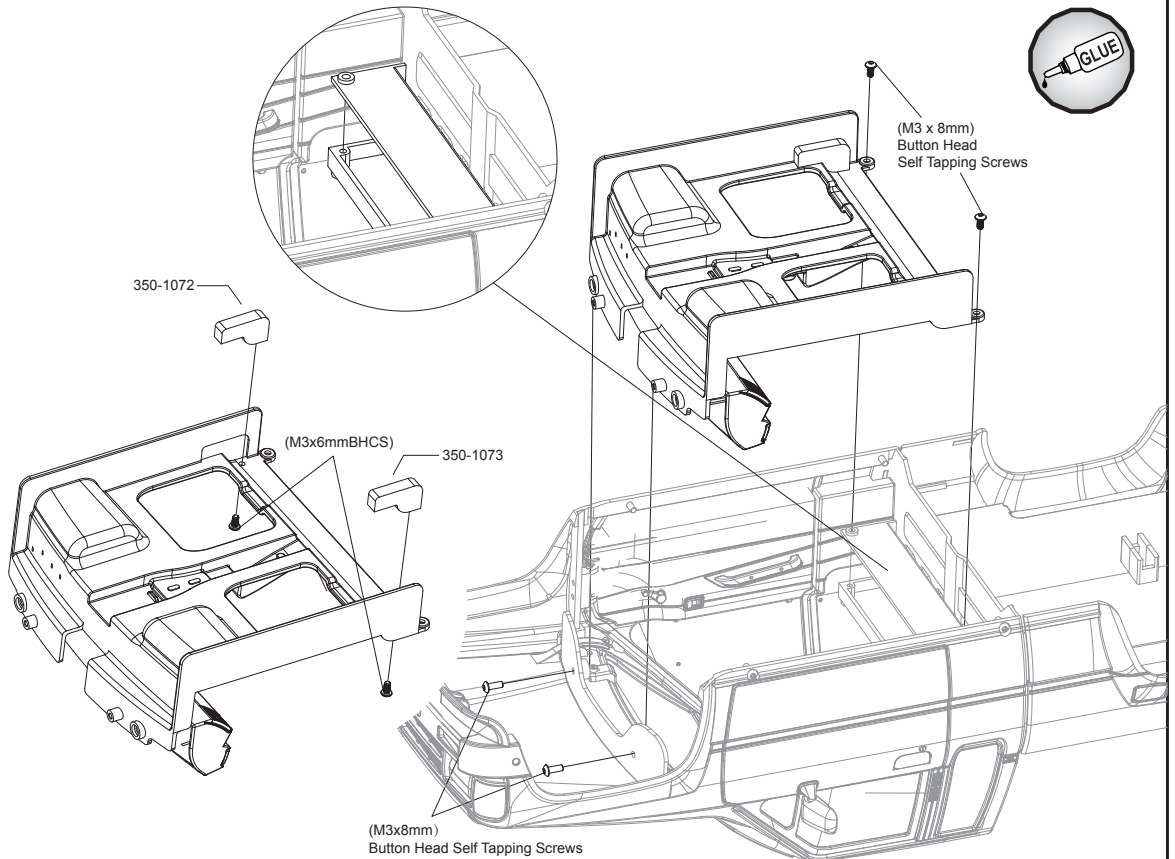
Step 40

 X2

150-0061
M3 x 6mm BHCS

 X4

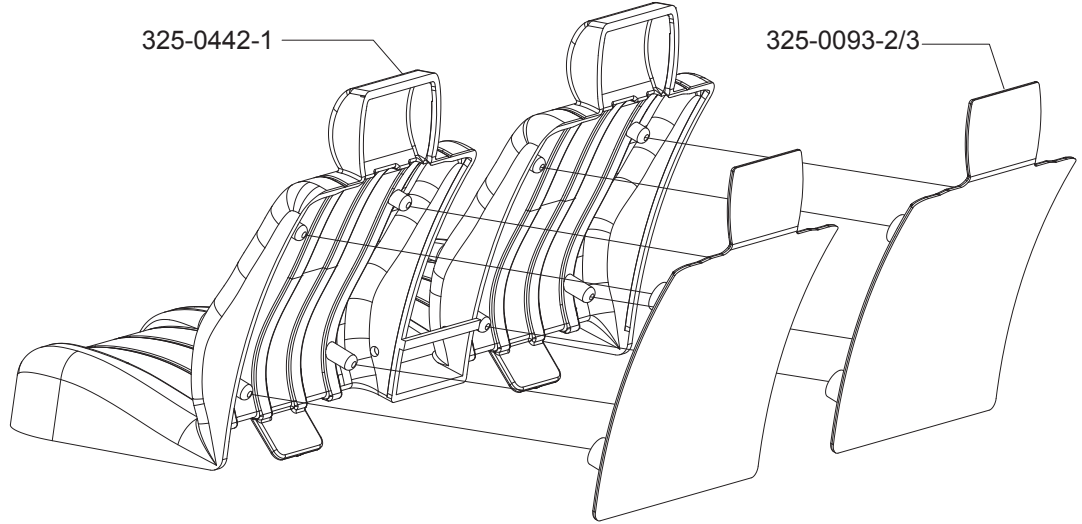
150-0195
M3 x 8mm
Button Head
Self Tapping Screws



R4WD

Step 41

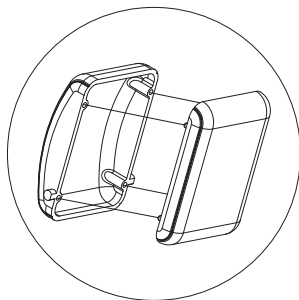
*Use styrene solvent glue or foam safe super glue.



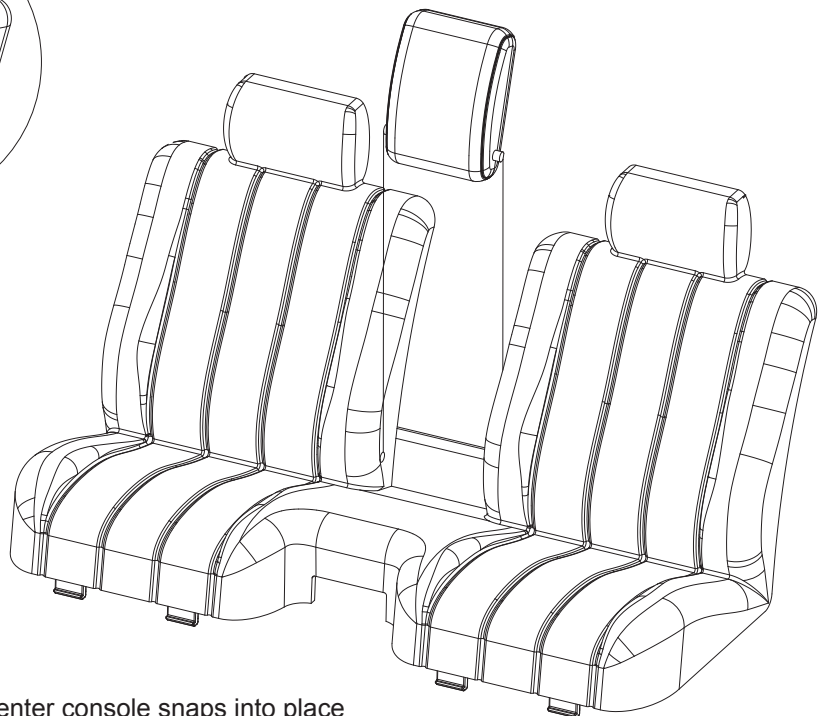
R4WD

Step 42

*Use styrene solvent glue or foam safe super glue.



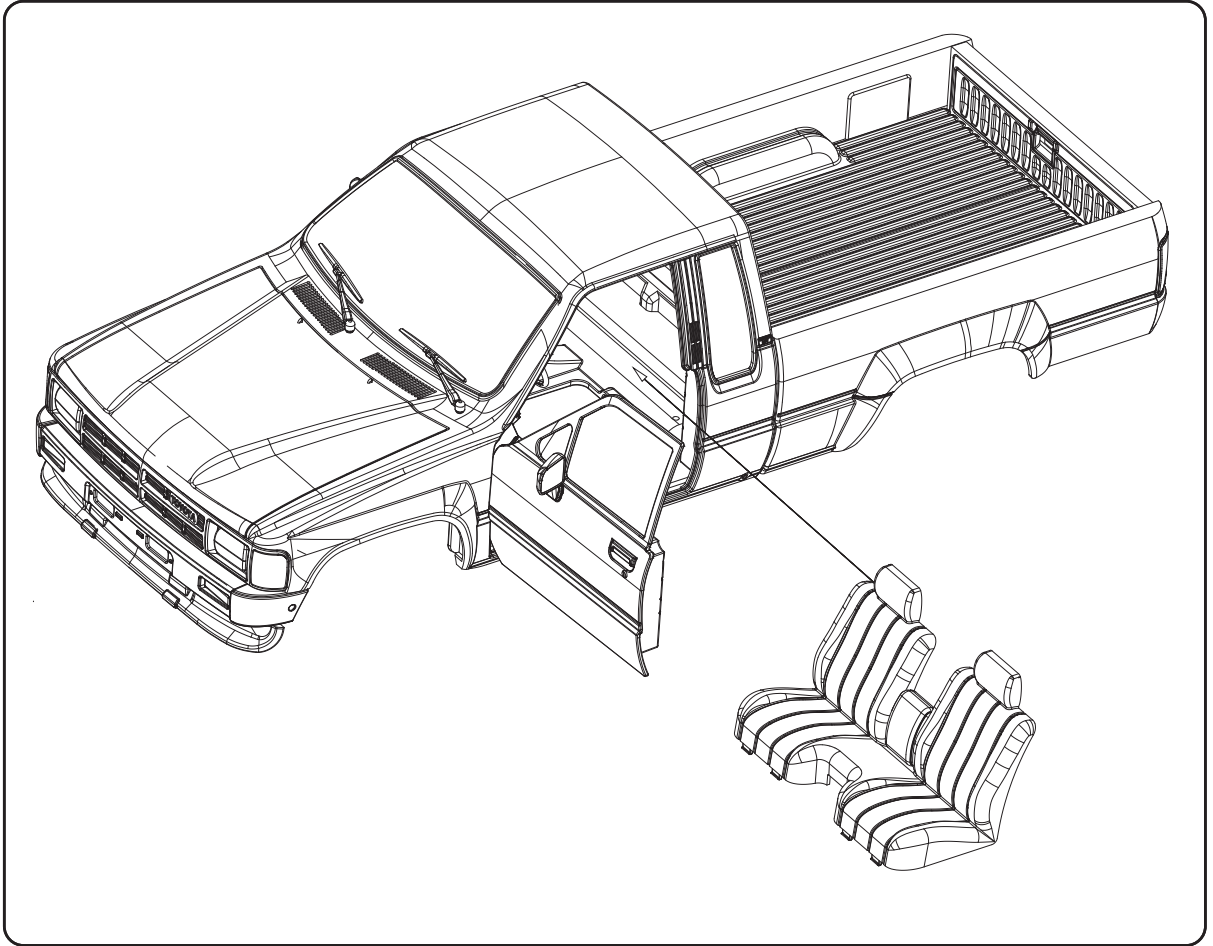
325-0443-1/2



Center console snaps into place

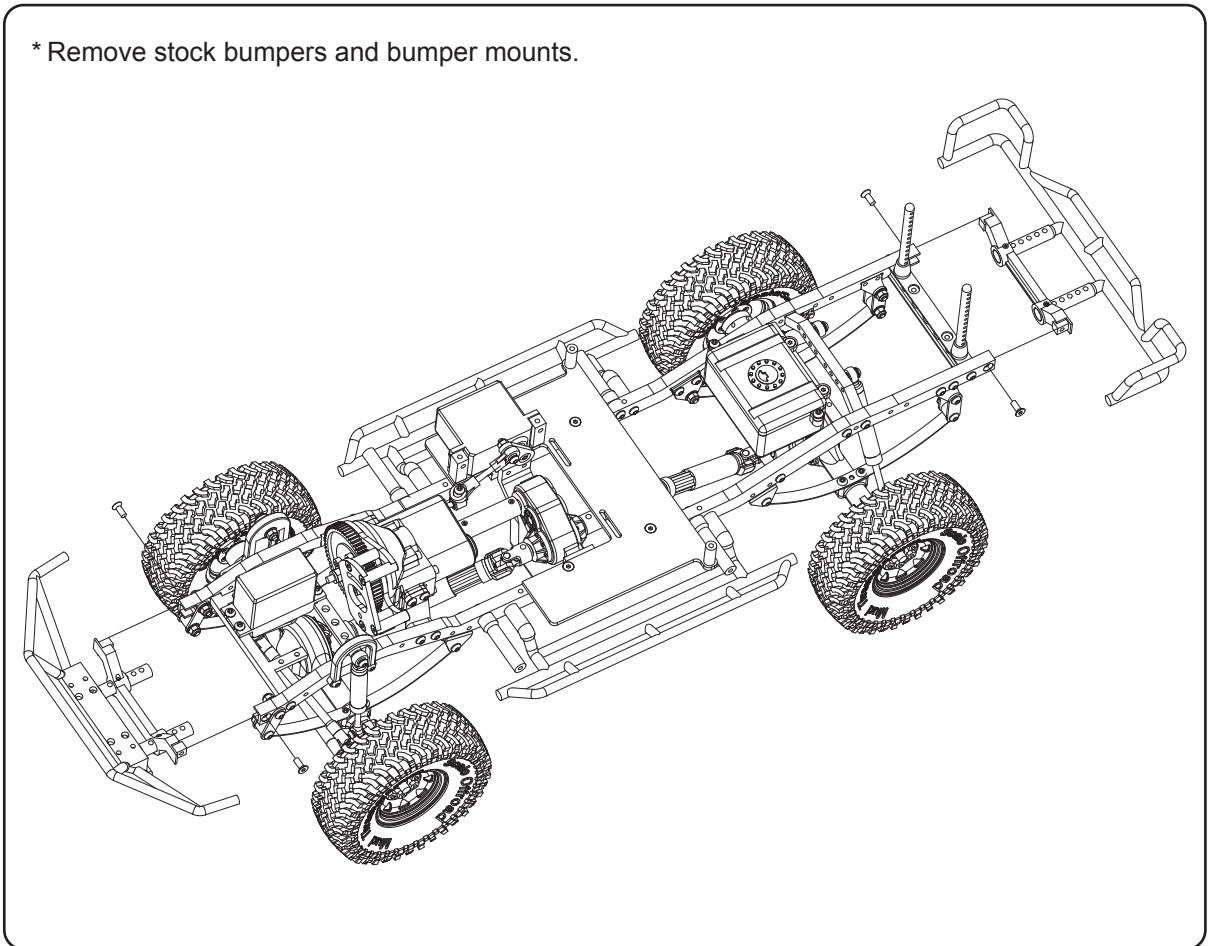
R4WD
Step 43

Seats snap into place.



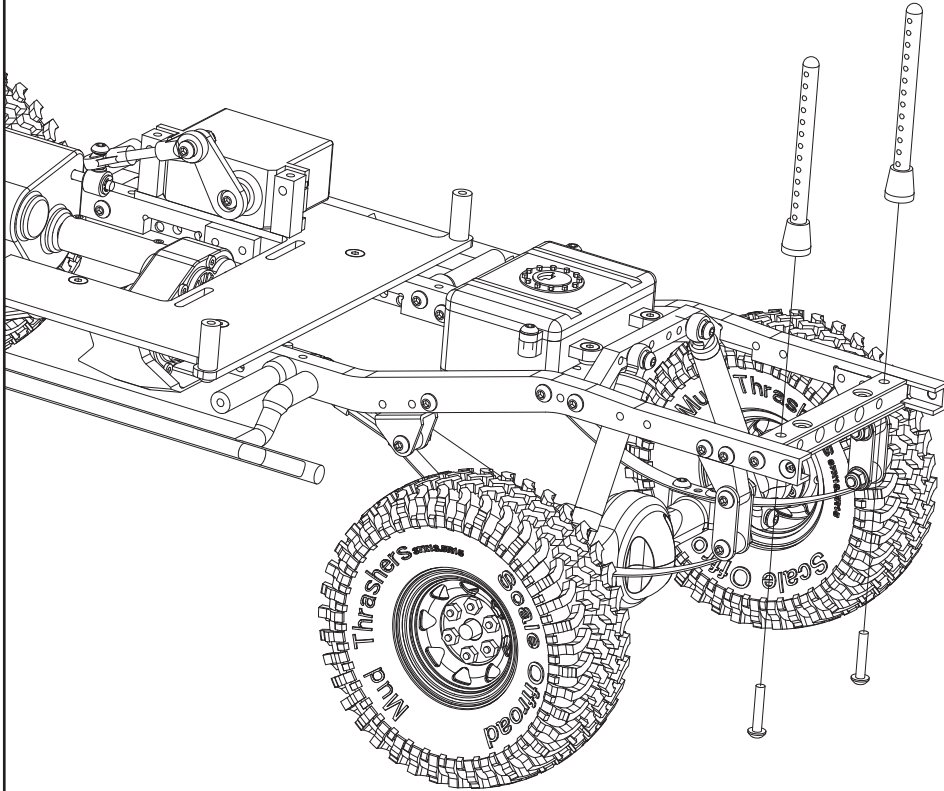
R4WD
Step 44

* Remove stock bumpers and bumper mounts.



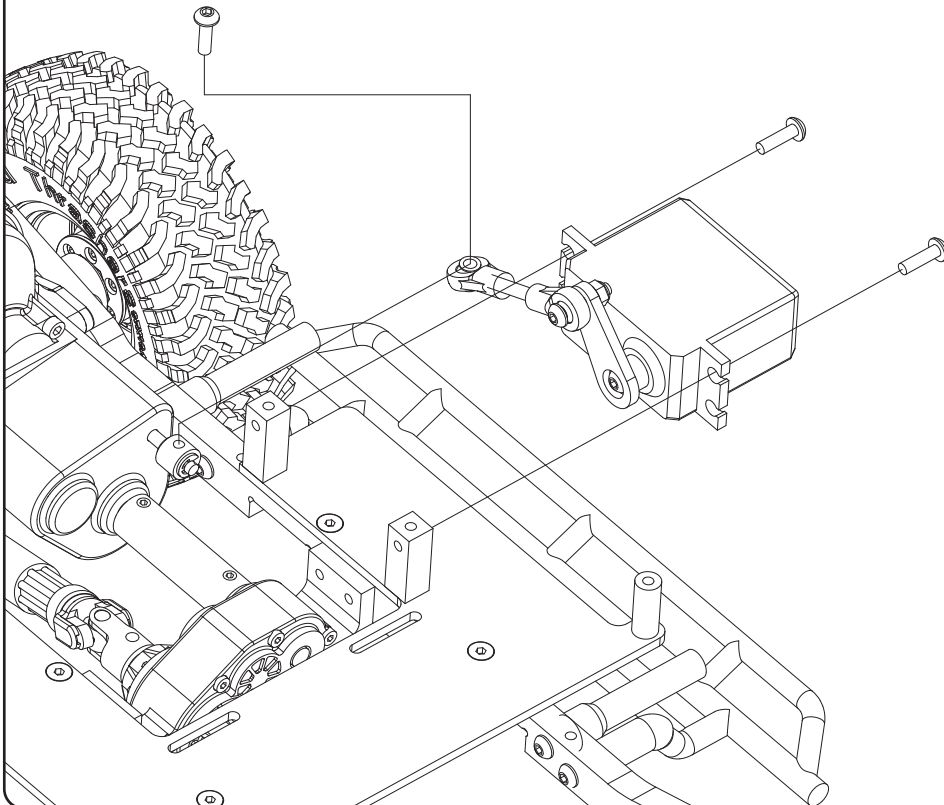
R4WD
Step 45

* Remove.



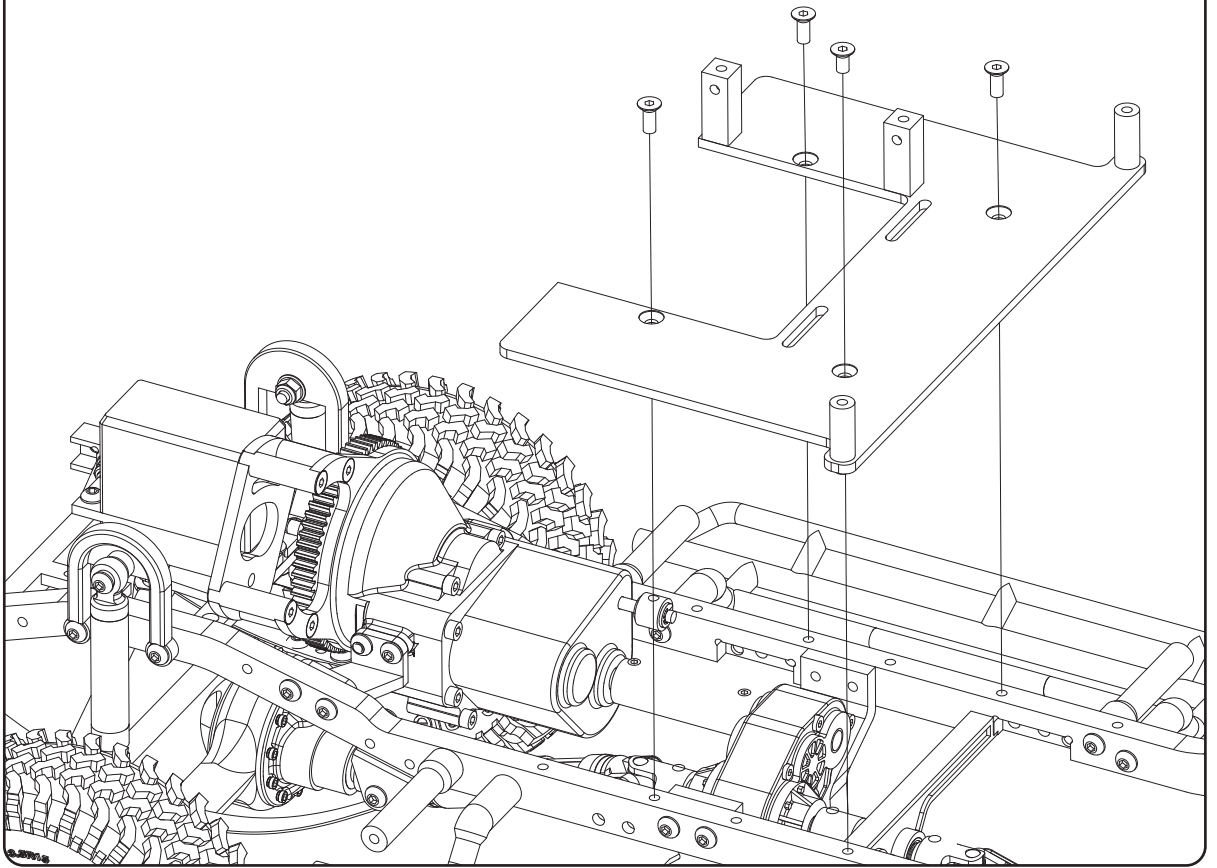
R4WD
Step 46

* Remove.

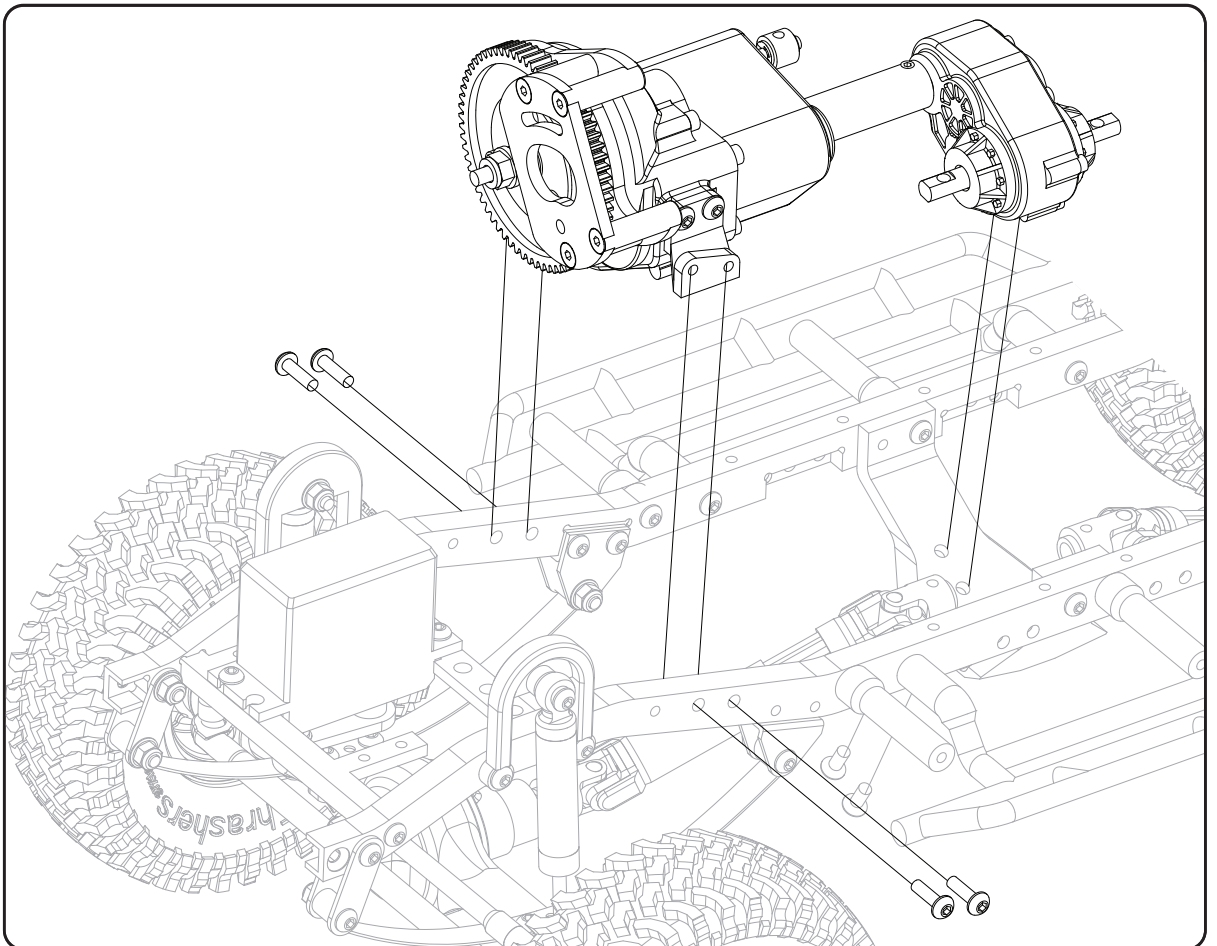


R4WD
Step 47

* Remove.

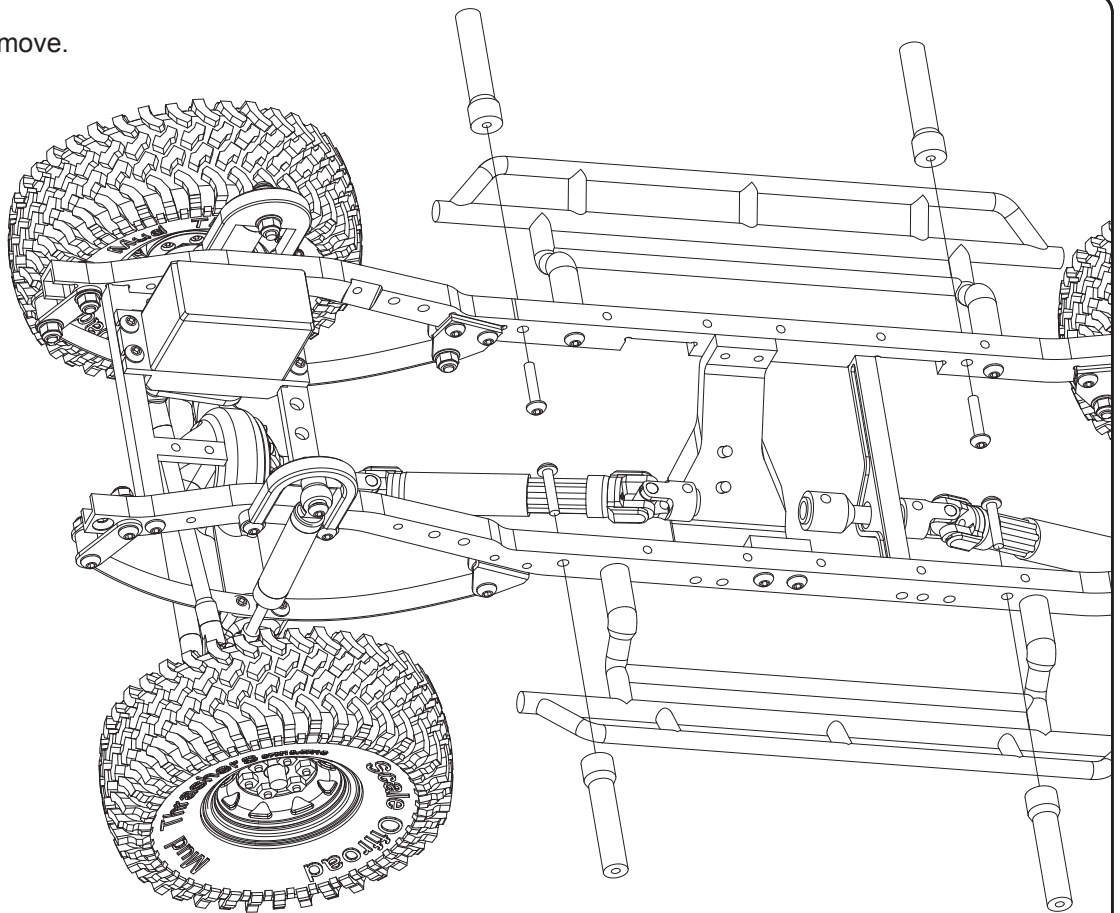


R4WD
Step 48




R4WD
Step 49

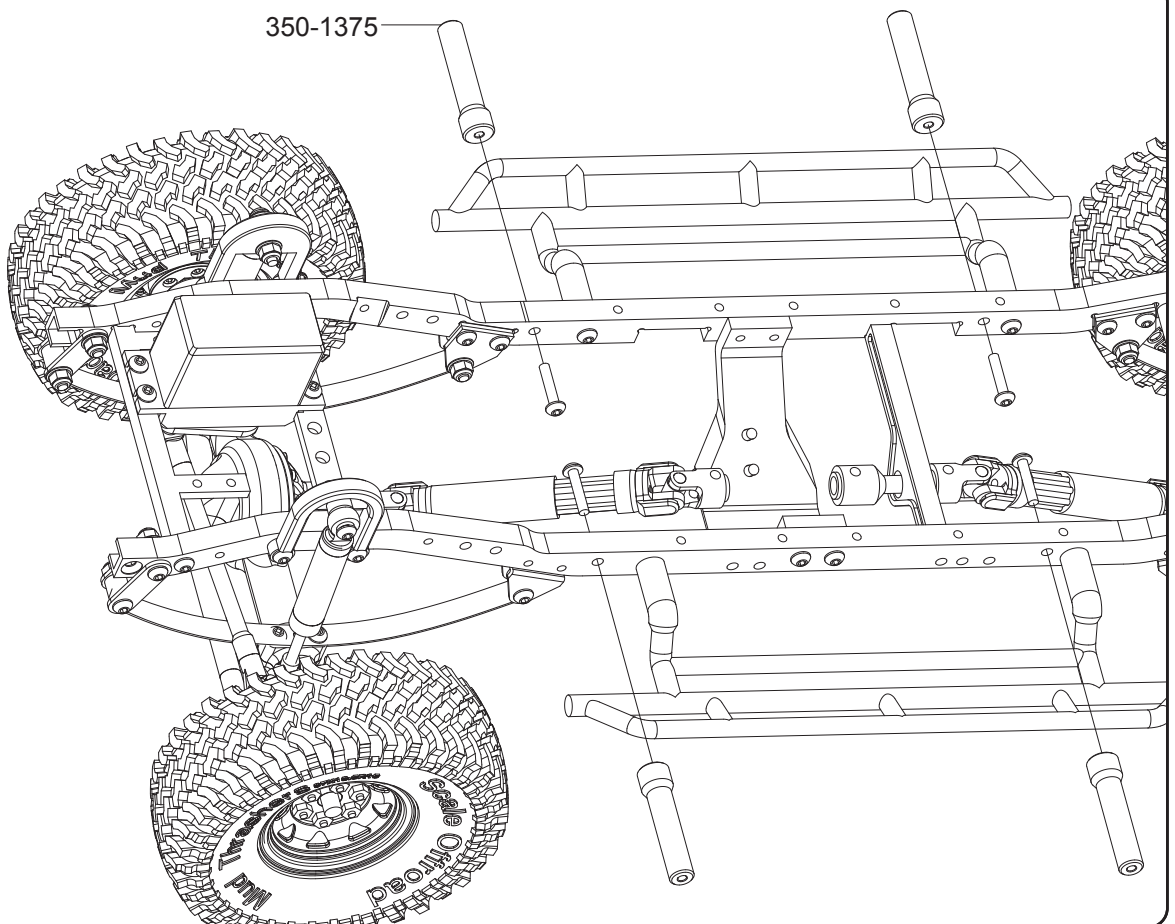
* Remove.



R4WD
Step 50

 X4
150-0064
M3 x 12mm BHCS

350-1375



R4WD

Step 51



X2

150-0099

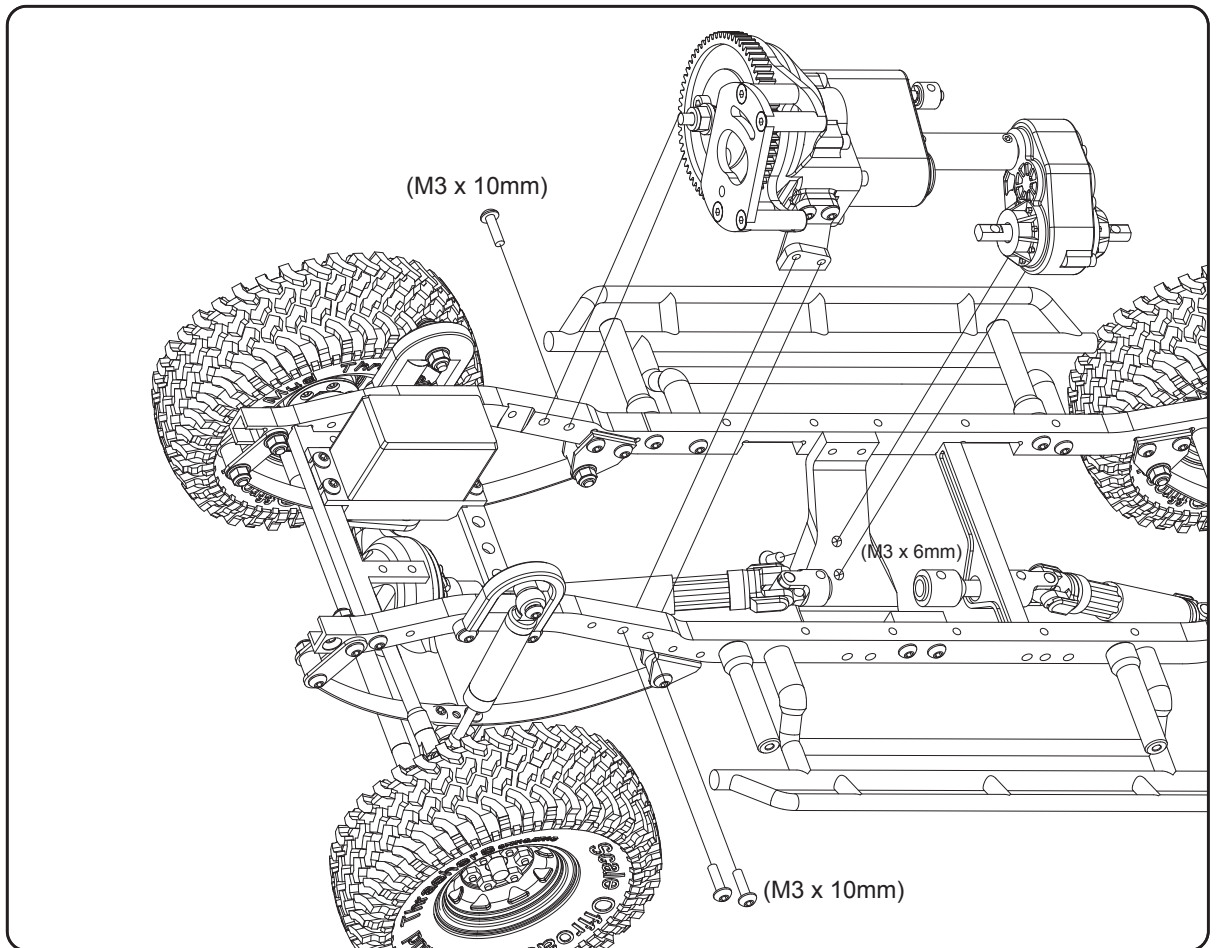
M3 x 6mm FHCS



X3

150-0196

M3 x 10mm BHCS



R4WD

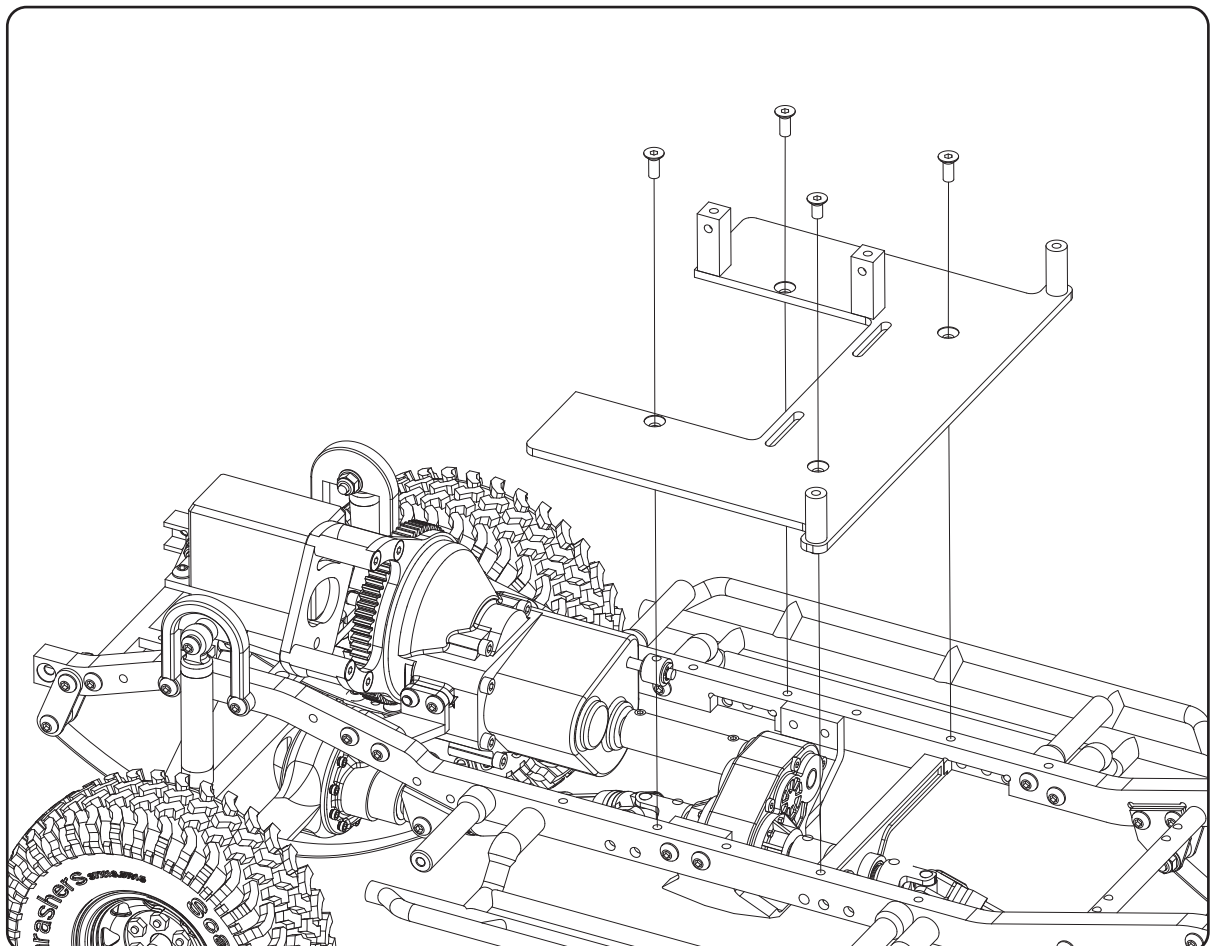
Step 52



X4

150-0099

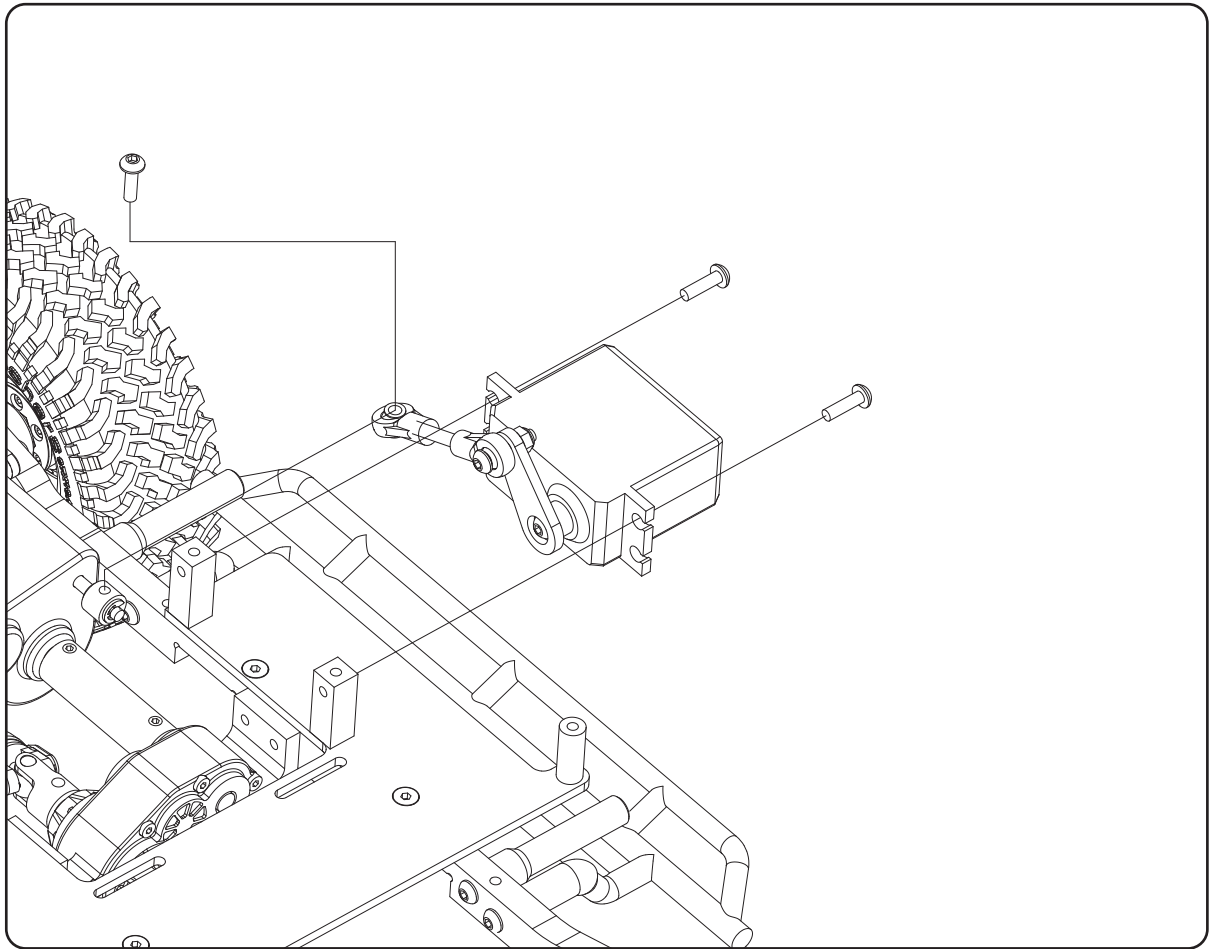
M3 x 6mm FHCS



R4WD

Step 53

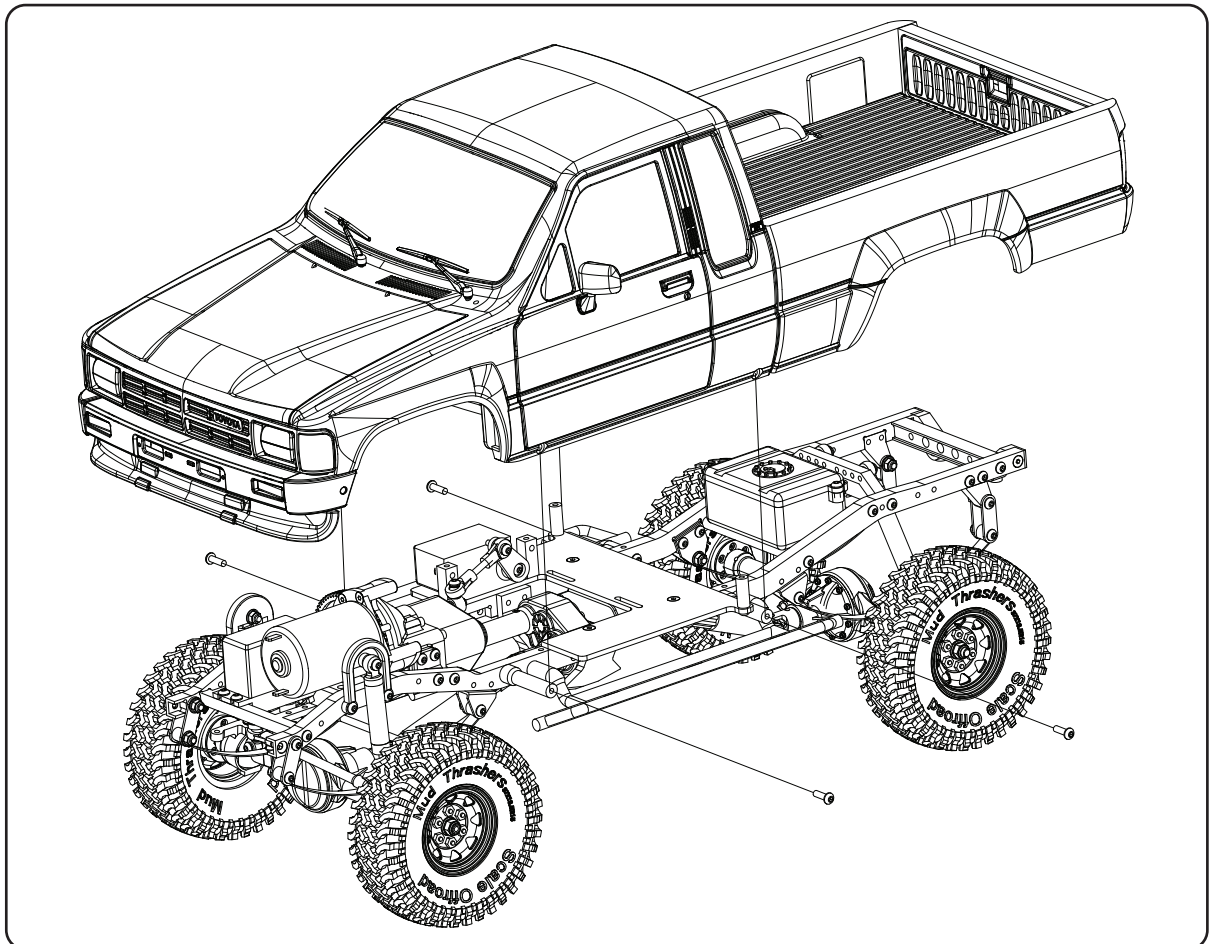
 X3
150-0196
M3 x 10mm BHCS



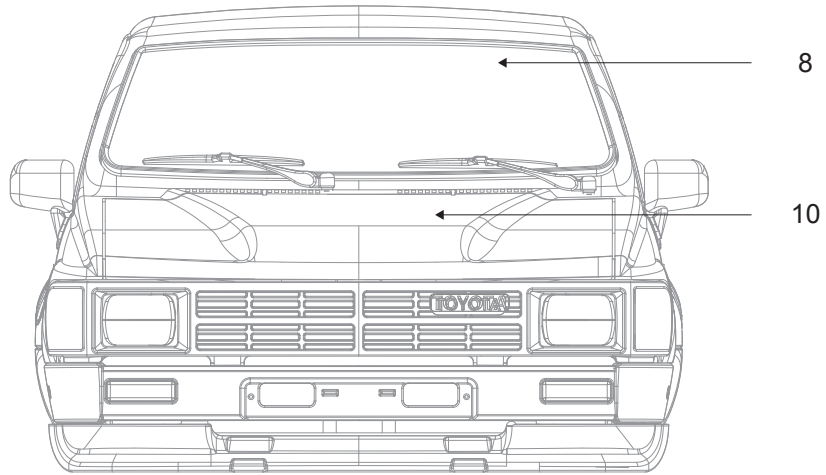
R4WD

Step 54

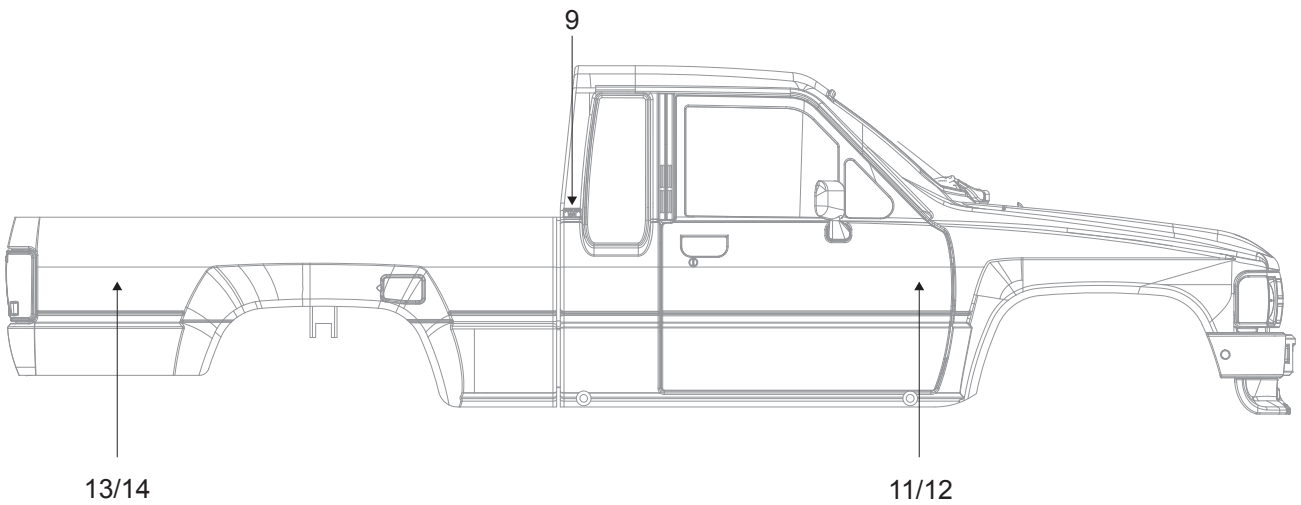
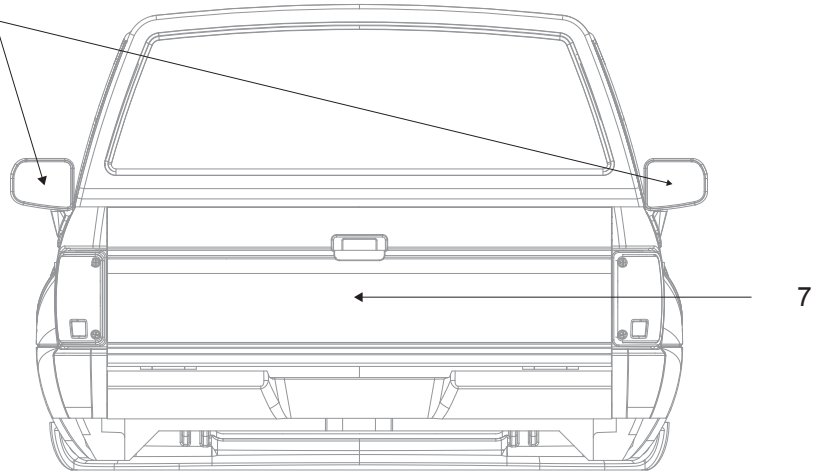
 X4
150-0195
M3 x 8mm
Button Head
Self Tapping Screws



How to Install Body Decals



Chrome
Mirror Decals
100-0074



* Can use stickers in place of metal emblem

Certain decal sheets are supplied with multiple styles, giving you the option to choose whichever best fits your personal style! Many of the decals supplied can be freely applied in any location.



www.rc4wd.com



RC4WD

720 N. Gateway St.
Visalia, CA 93291

Web: www.rc4wd.com - Email: support@rc4wd.com