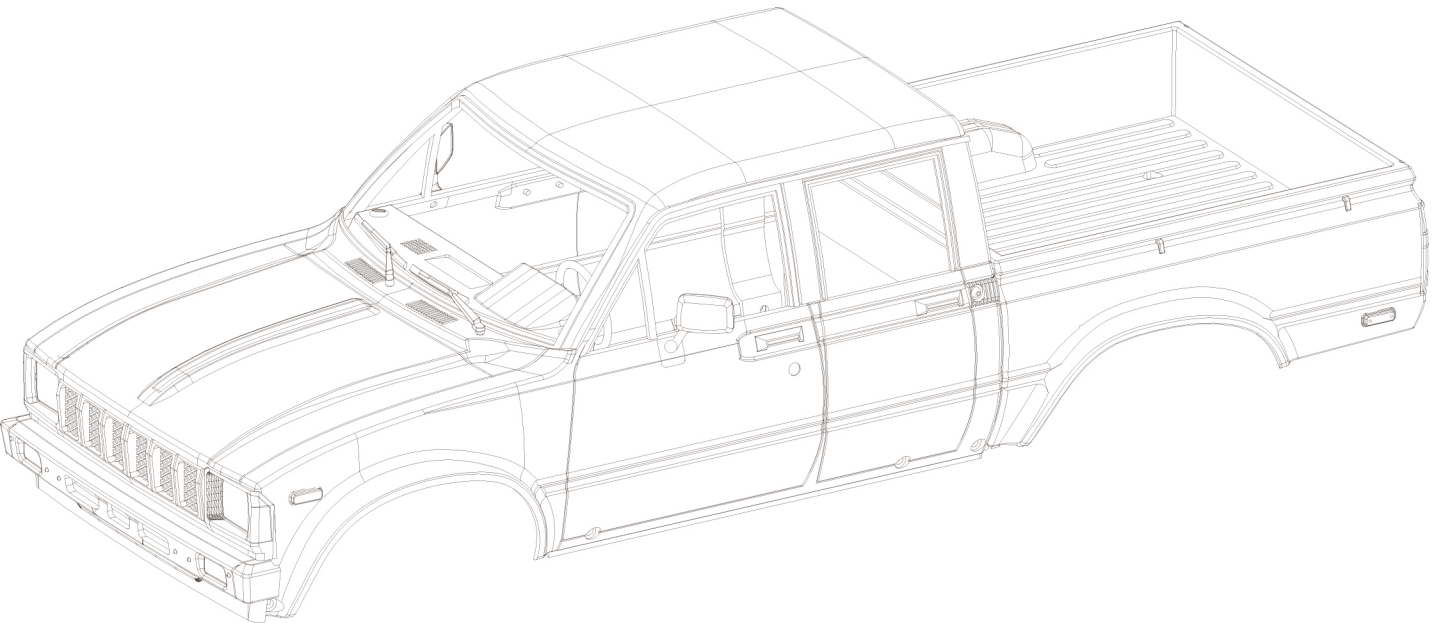
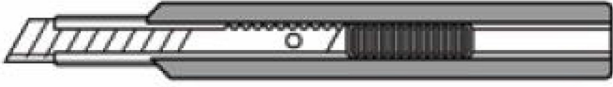


Mojave II Four Door Complete Body Set

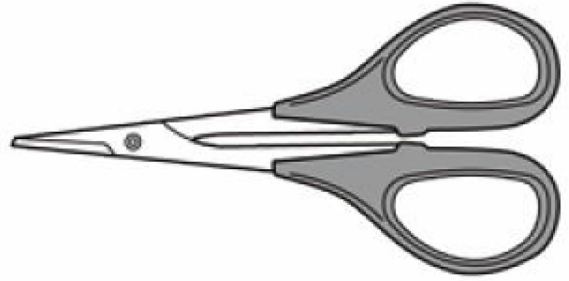
1/10 SCALE TRUCK BODY



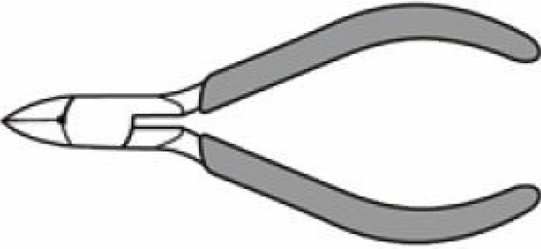
Recommended Tools



Modeling/Craft Knife



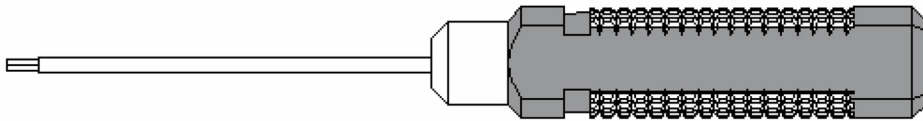
Curved Scissors



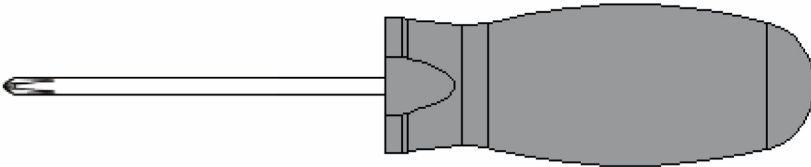
Side Cutters



Instant Glue/Plastic Cement



Hex Drivers (1.5mm, 2mm)



Cross Head Screwdriver (Small)

Tips for Assembly

It is recommended that body parts are painted with acrylic paint after removing the parts from the parts trees before assembly.

Test fit parts before applying glue and use glue sparingly.

It is best to use non-whiting CA glue.



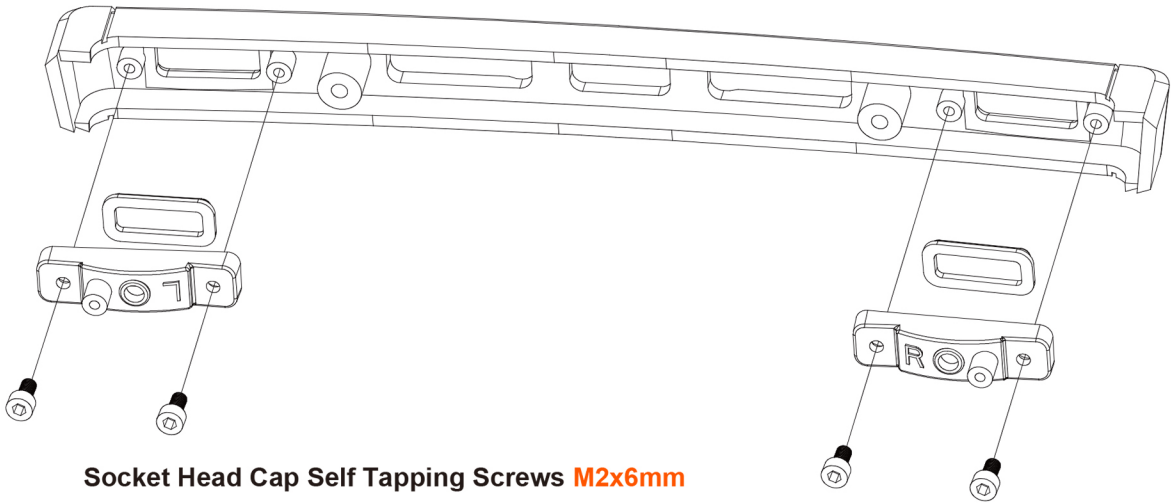
RC4WD Limited Warranty

All RC4WD products are warranted to be free of defects in materials and workmanship when new. Our limited warranty does not cover damages due to normal wear and tear, user error of assembly or installation, user modifications, user's failure to perform routine maintenance, addition of aftermarket parts or option parts. This warranty lasts as long as the original purchaser owns the product. In the event of a defect under this warranty, RC4WD will, at our discretion, replace the product, provided our inspection indicates that an original defect exists. RC4WD reserves the right to replace any product which is no longer available with a product of comparable value and function. If RC4WD determines the repair is not covered under warranty guidelines, we will contact you to discuss your options. If you have any questions, please contact us via email at support@rc4wd.com.

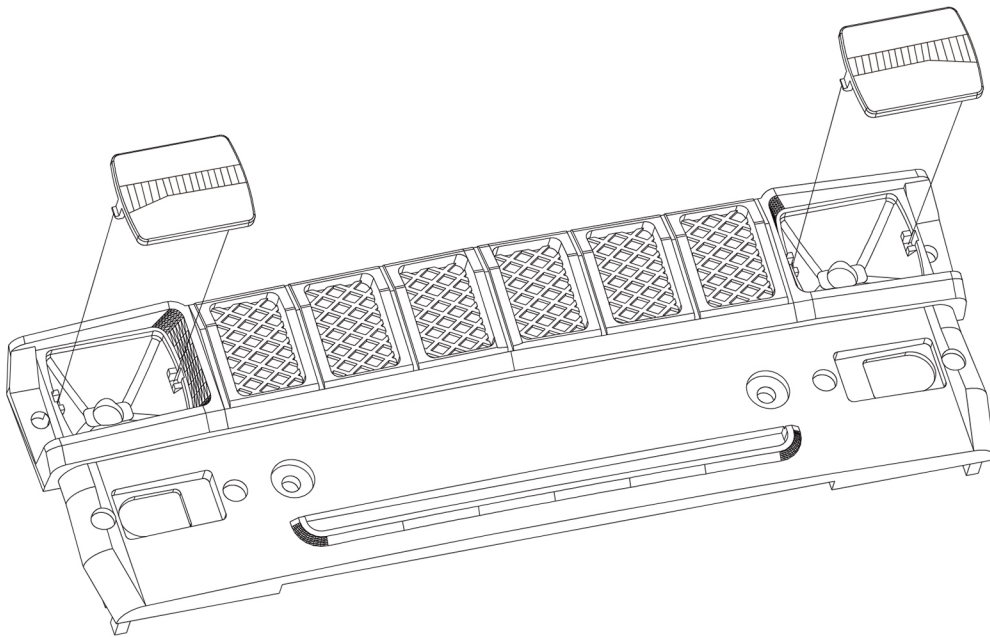


All hardware should be taken from Bag B

●1



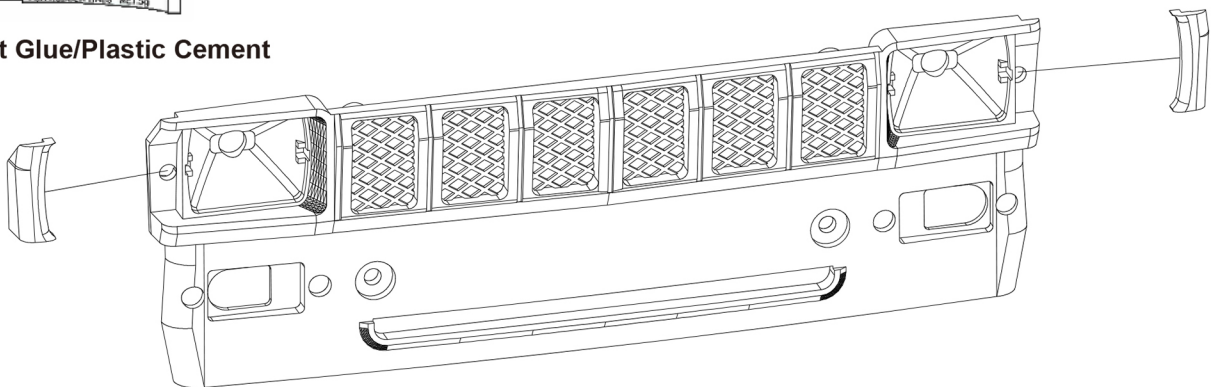
●2



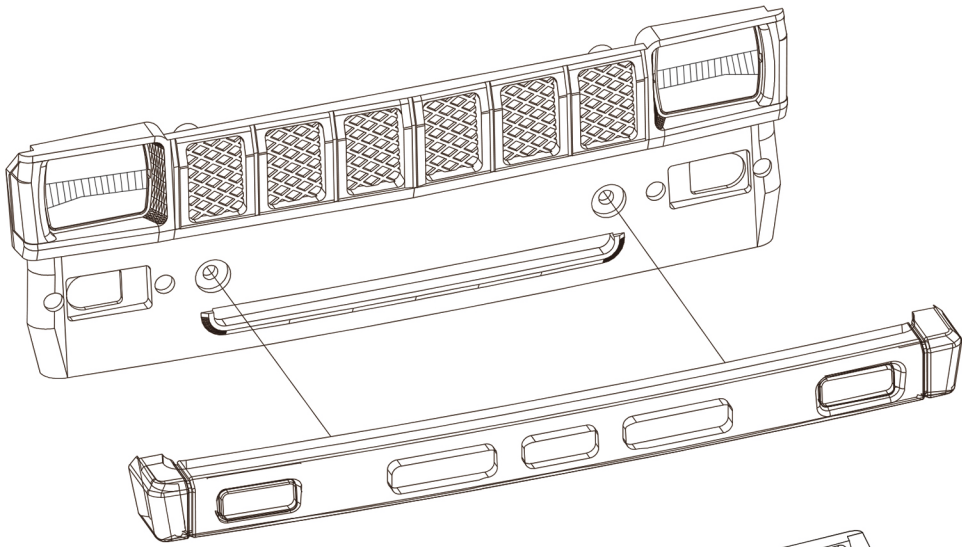
●3 Glue required



Instant Glue/Plastic Cement

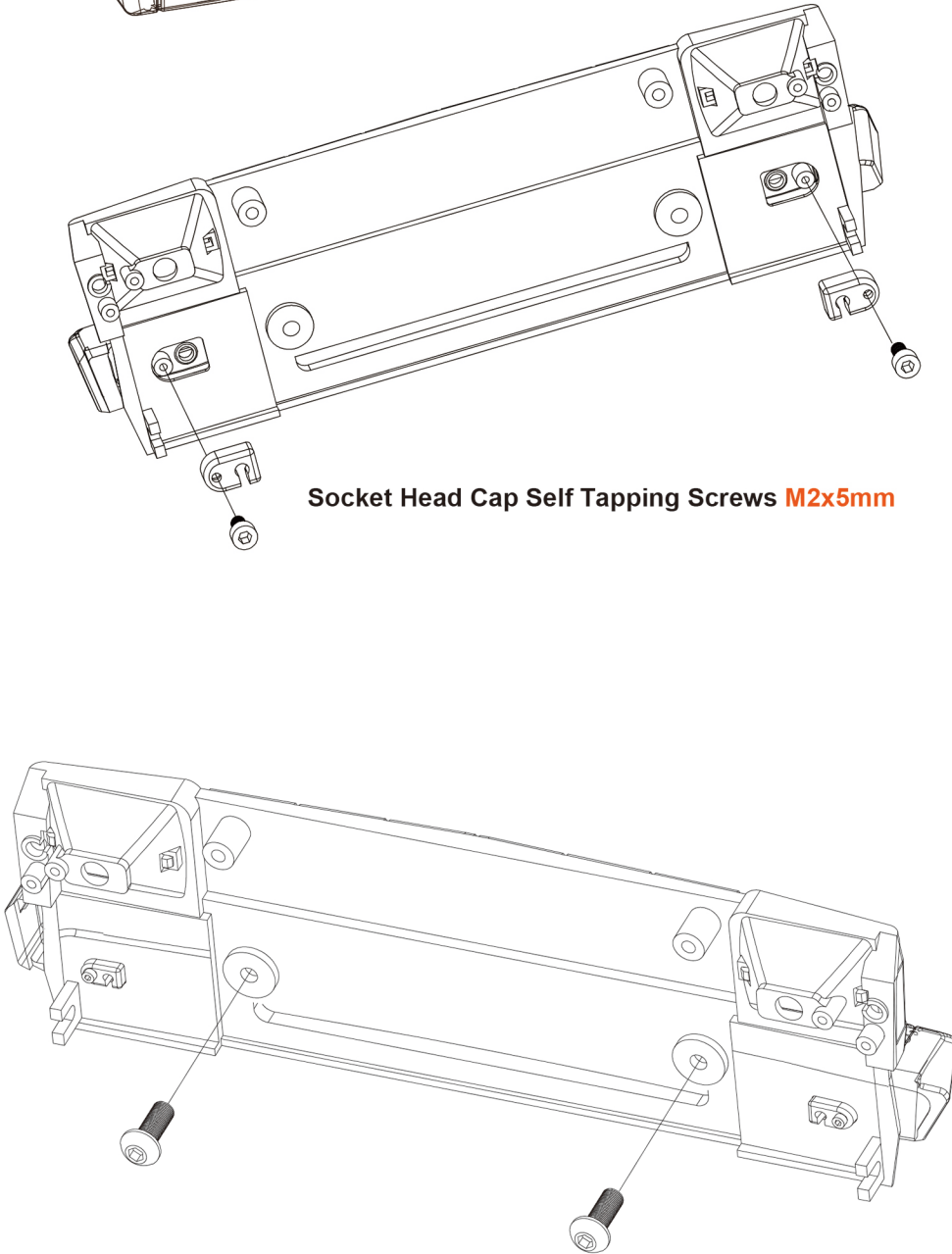


●4



Socket Head Cap Self Tapping Screws **M2x5mm**

●5



Button Head Cap Self Tapping Screws **M3x6mm**

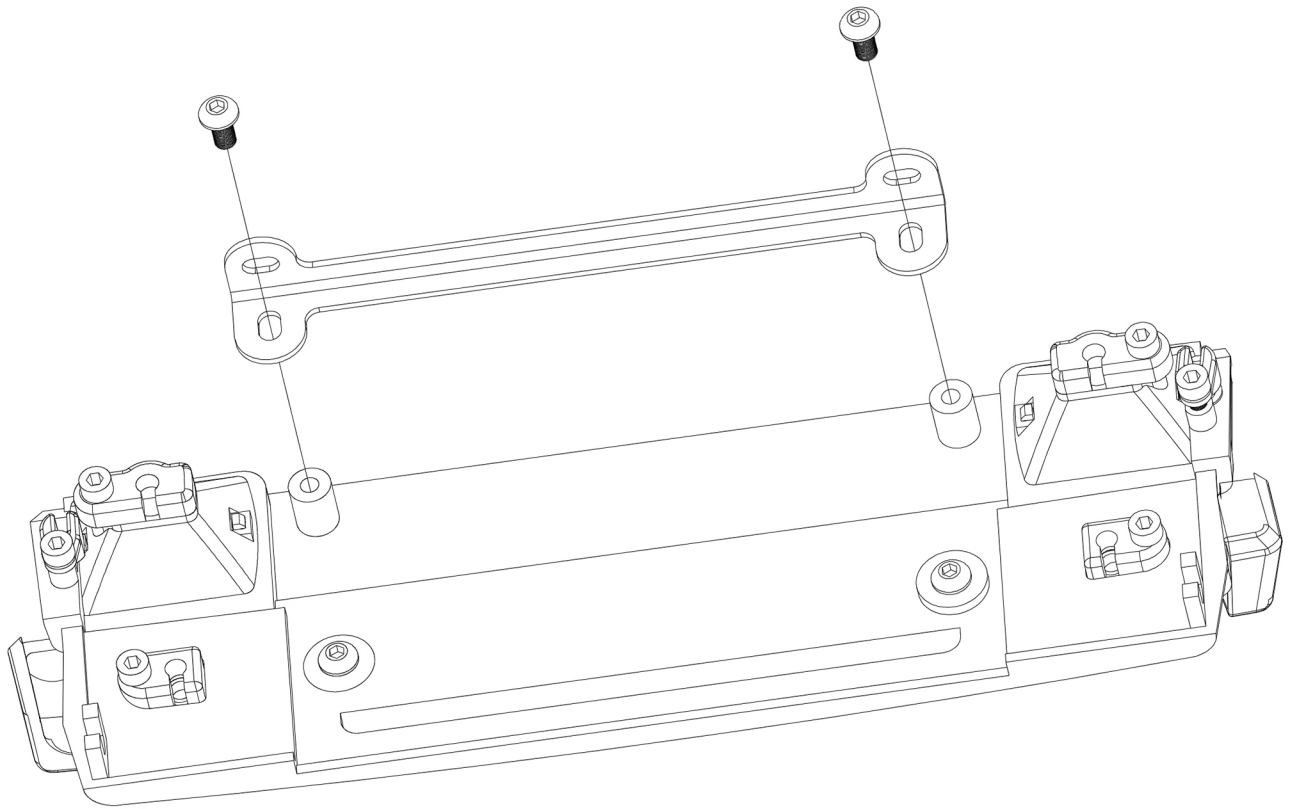


●6



Socket Head Cap Self Tapping Screws **M2x5mm**

●7



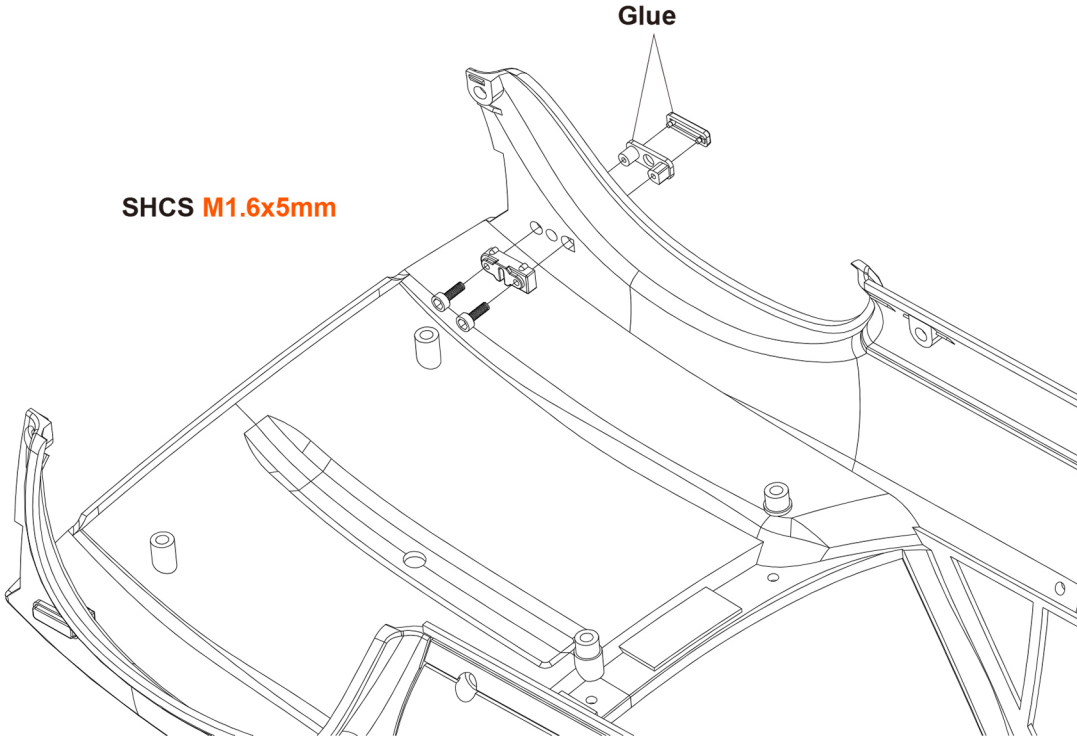
Button Head Cap Self Tapping Screws **M3x6mm**



●8 Glue required



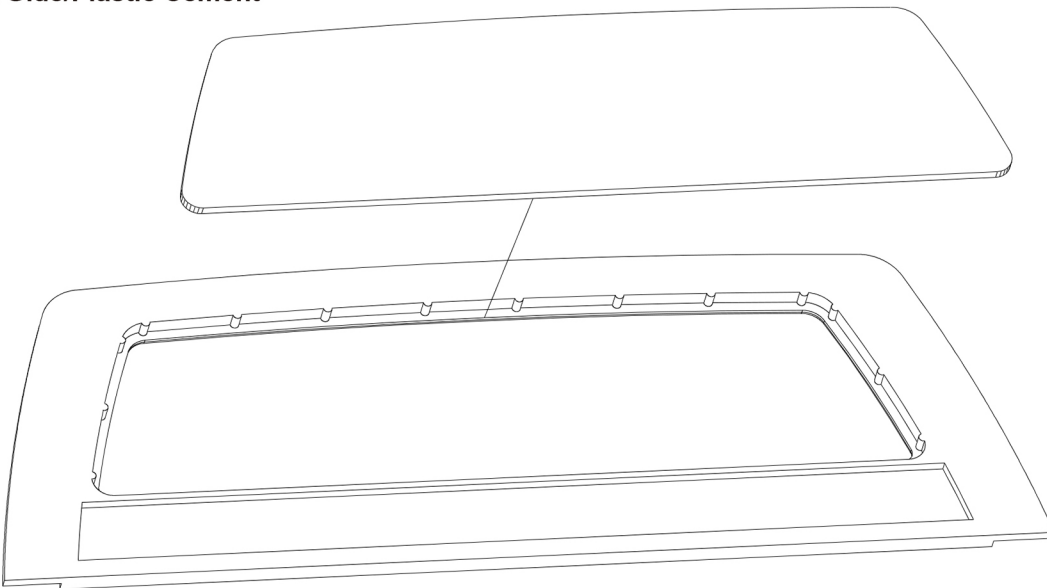
Instant Glue/Plastic Cement



●9 Glue required



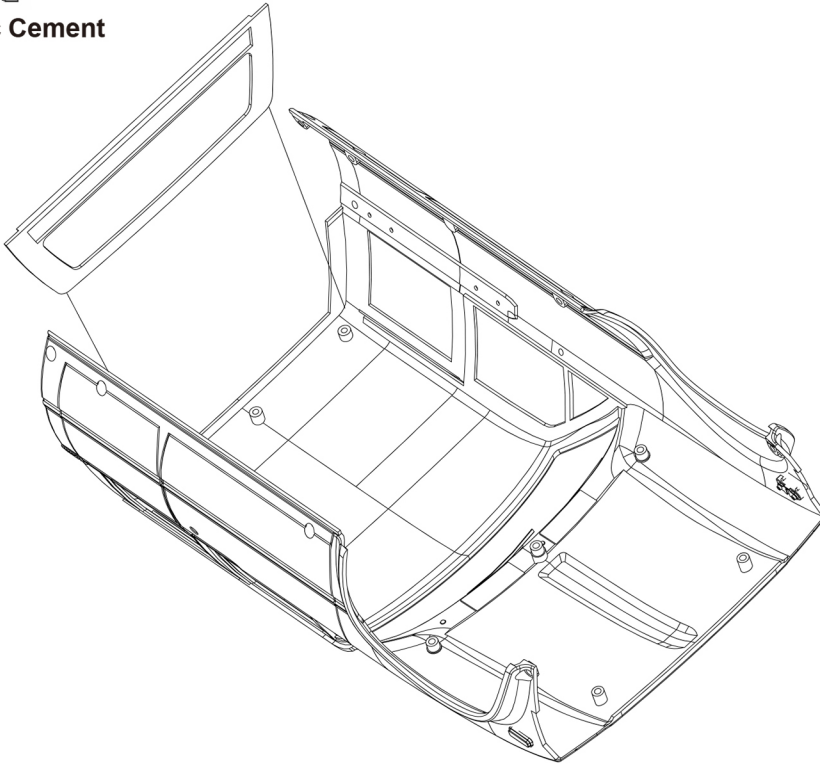
Instant Glue/Plastic Cement



●10 Glue required



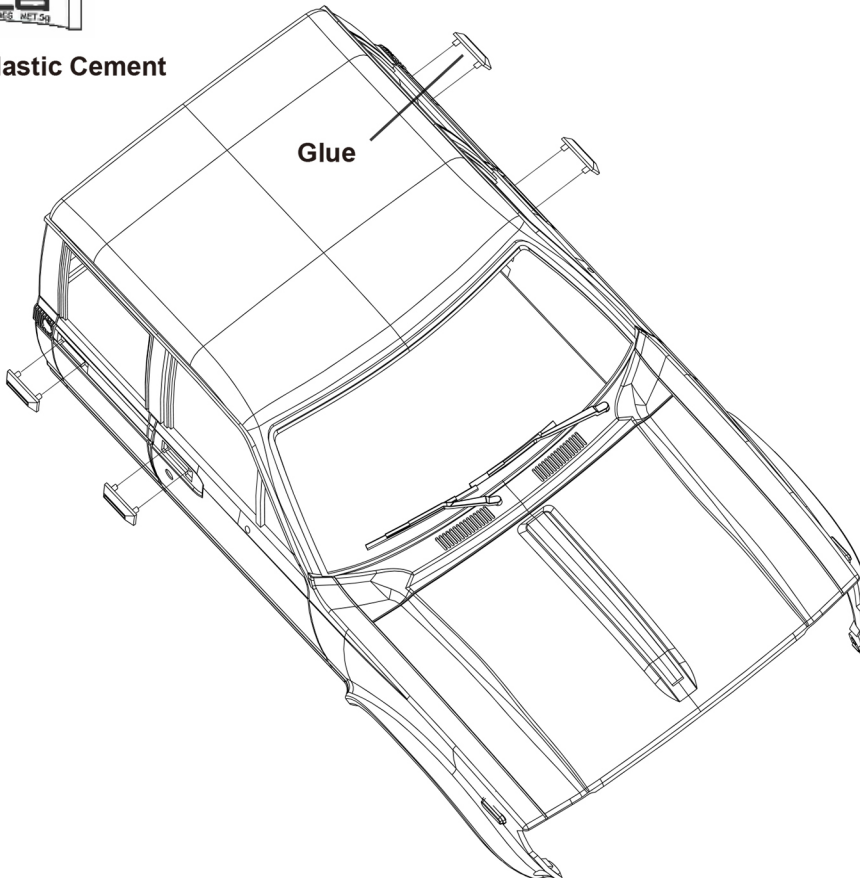
Instant Glue/Plastic Cement

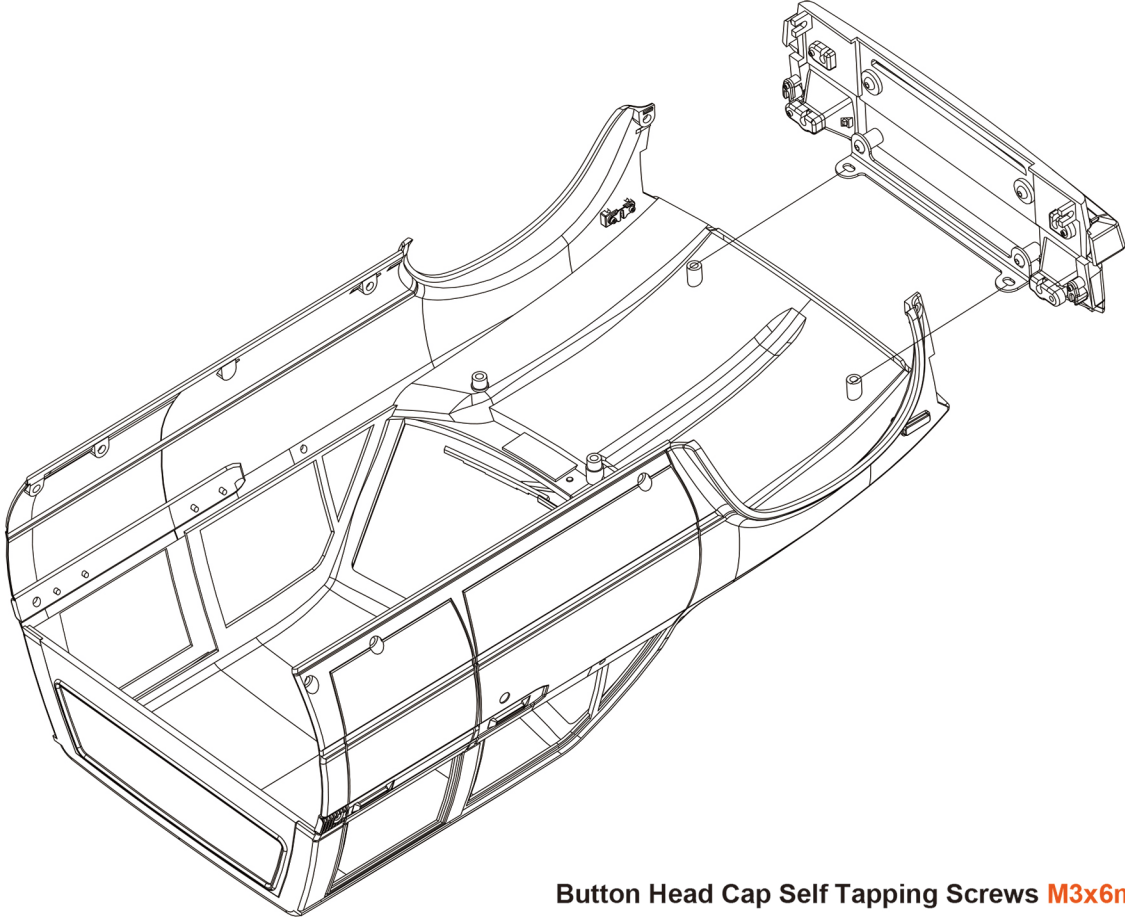


●11 Glue required

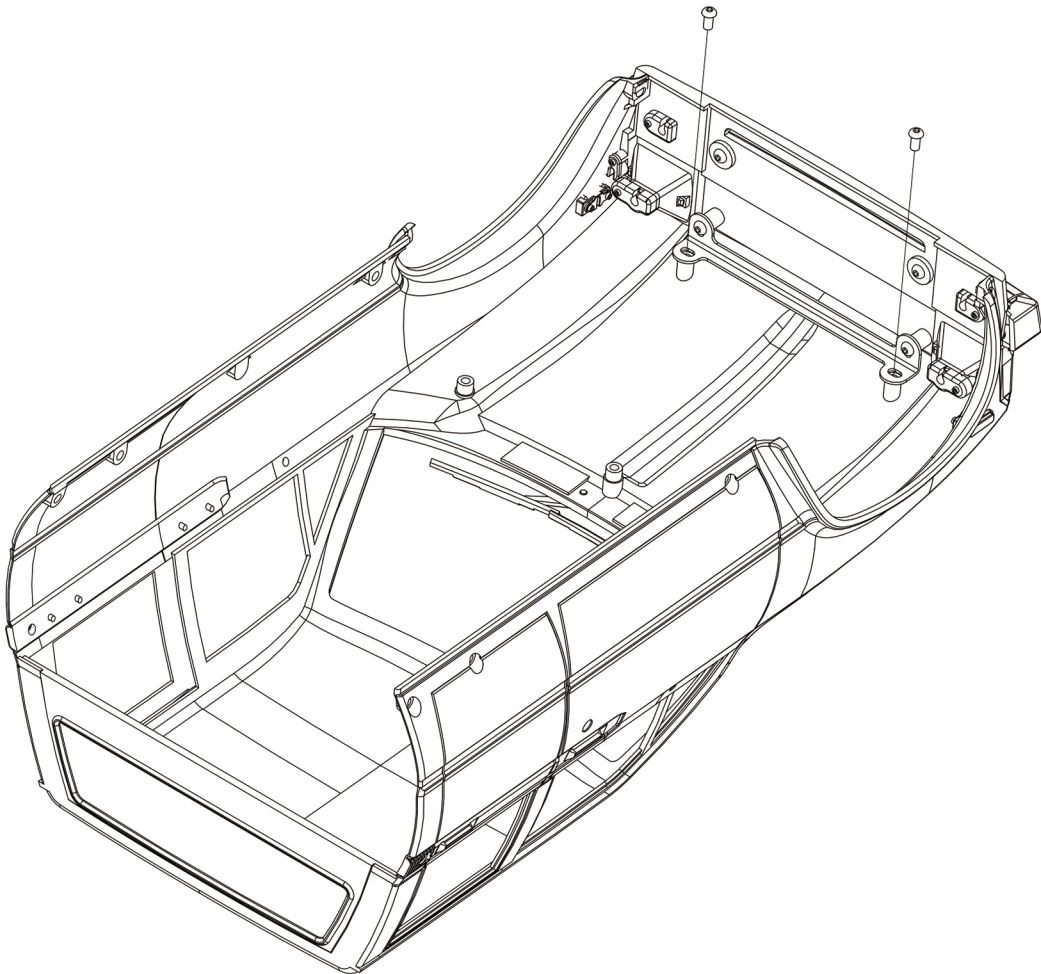


Instant Glue/Plastic Cement



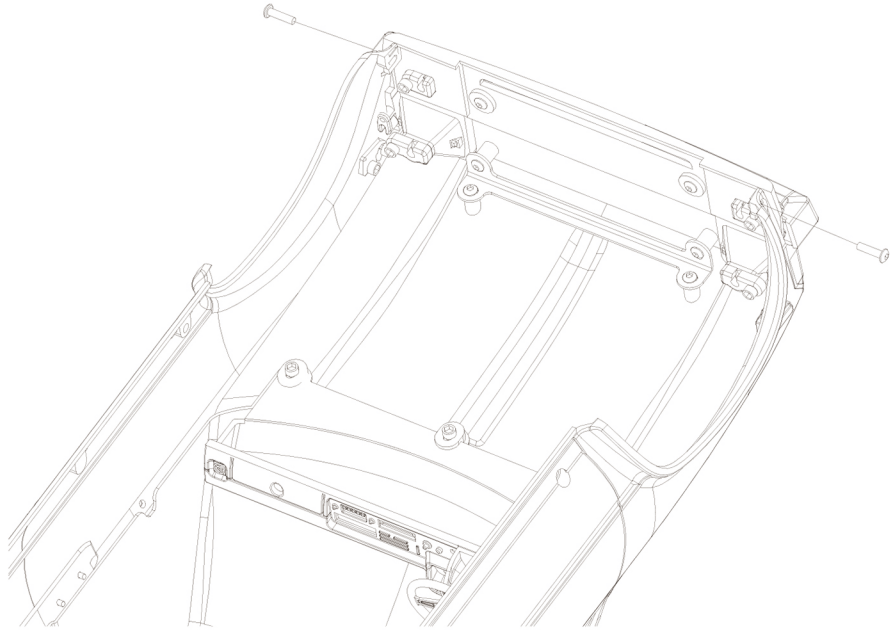


Button Head Cap Self Tapping Screws **M3x6mm**

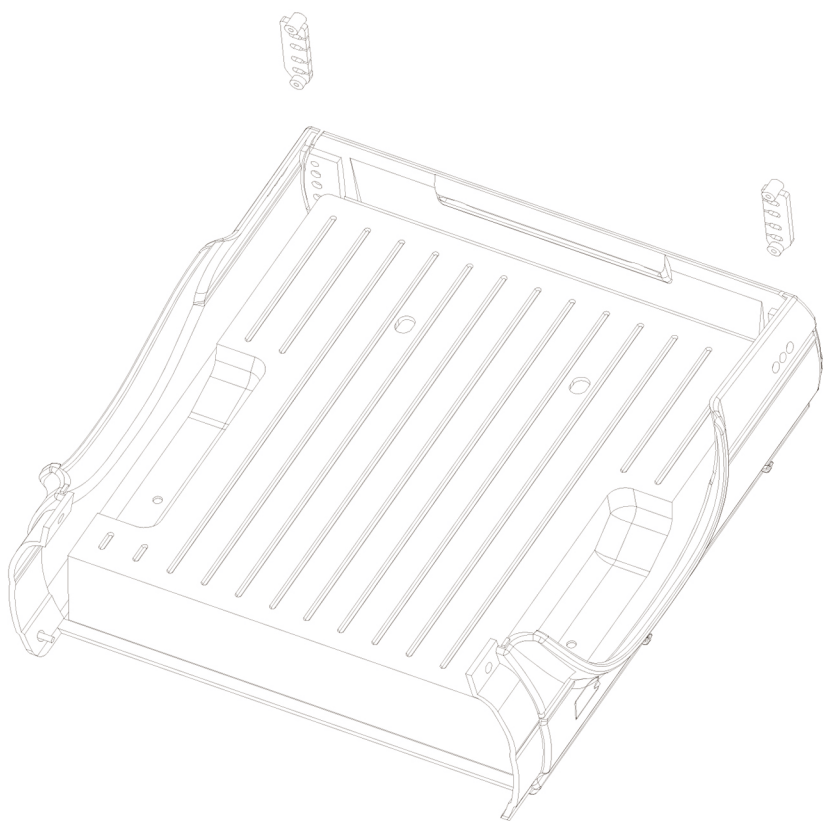


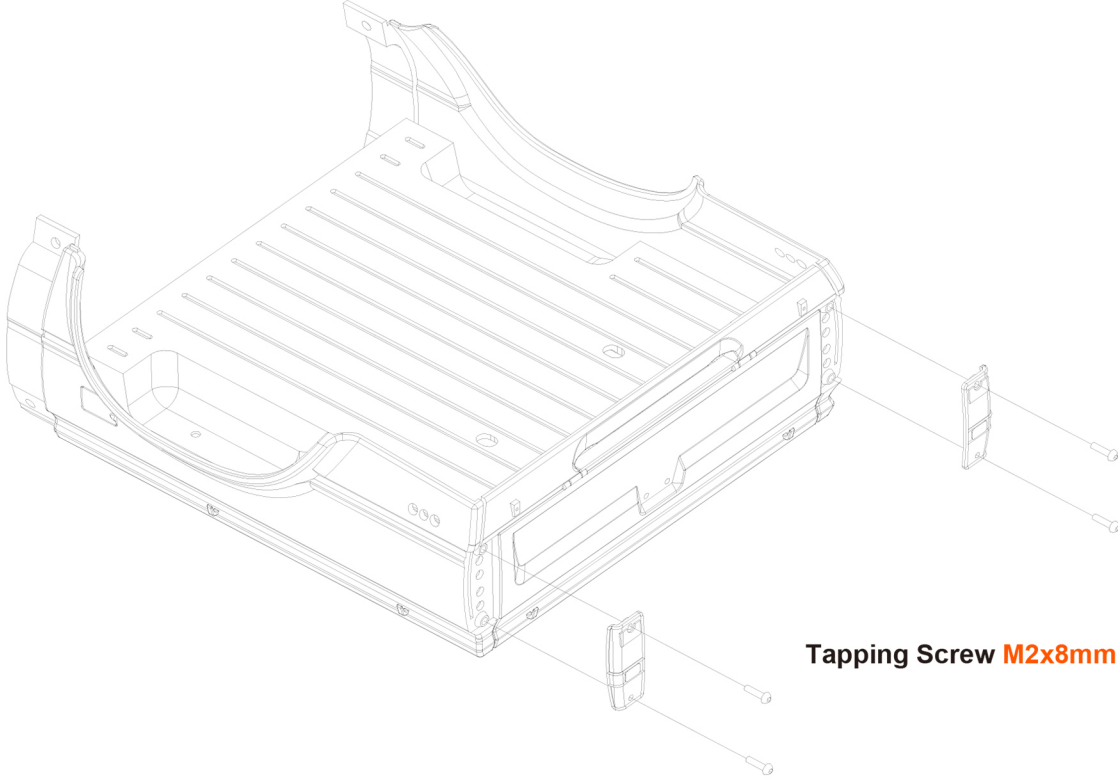
●13

BHCS M3x10mm
Locknut M3



●14 Install rear light cover



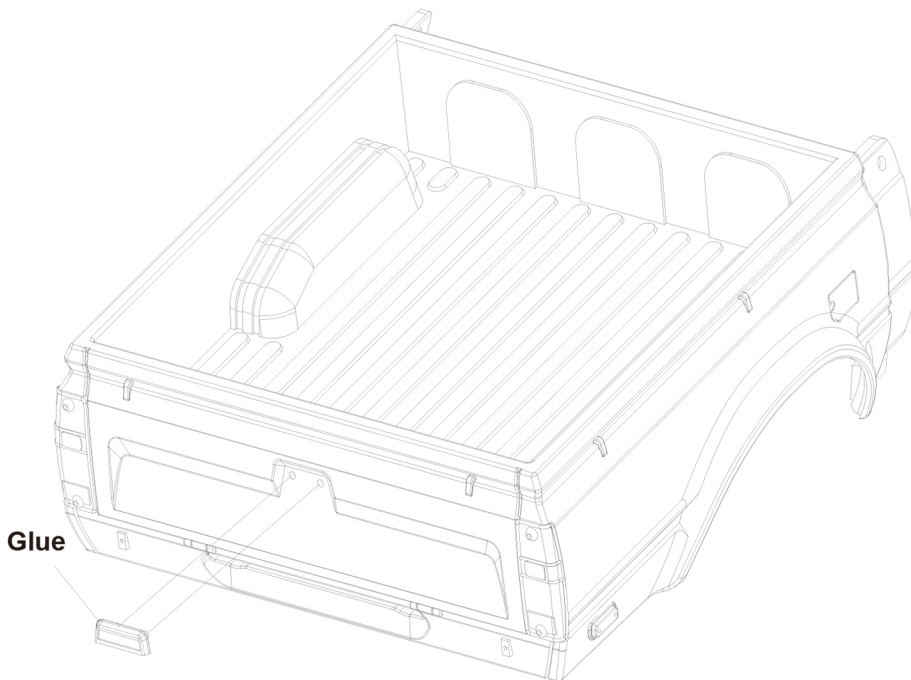


Tapping Screw **M2x8mm**

● 15 Glue required



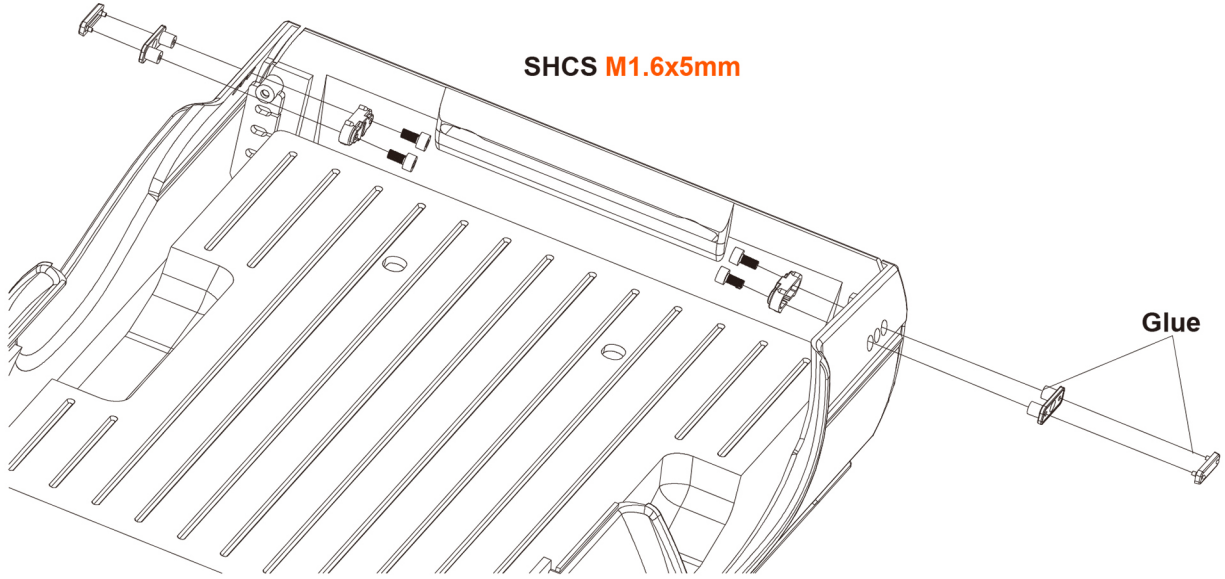
Instant Glue/Plastic Cement



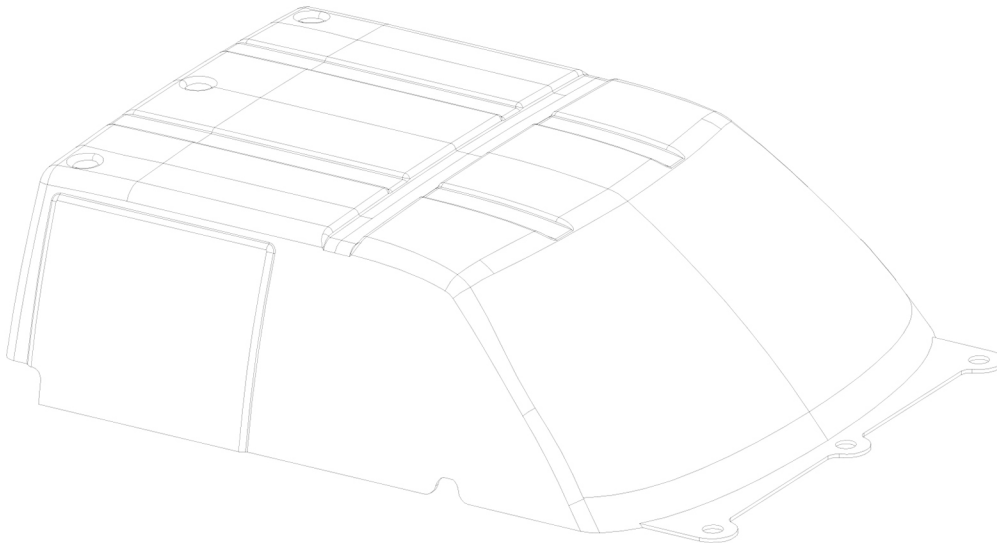
●16 Glue required



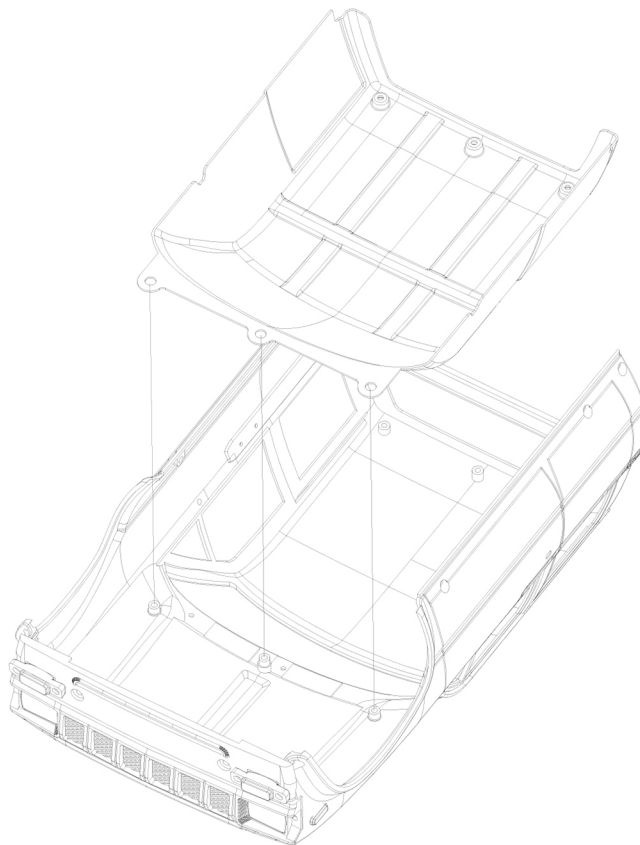
Instant Glue/Plastic Cement



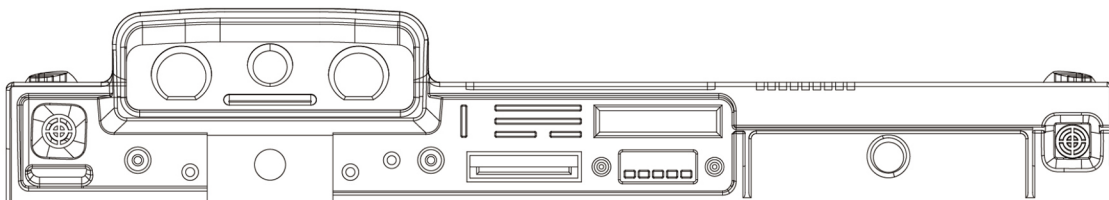
●17 Please trim windshield before installing



●18 Truck window installation



●19 Installation of dashboard sticker

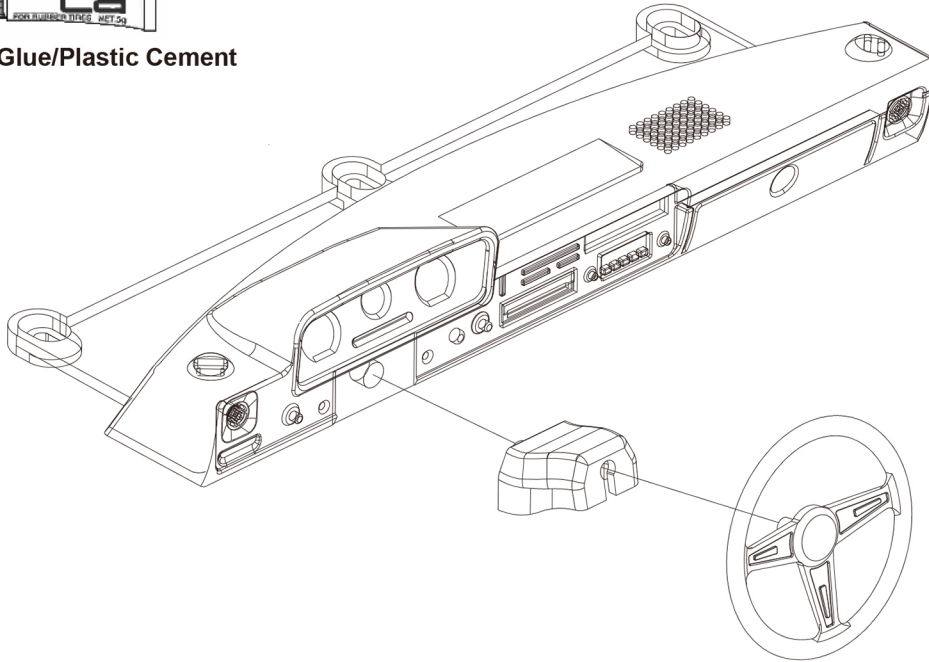


●20 Installation of steering wheel and the mount

Glue required

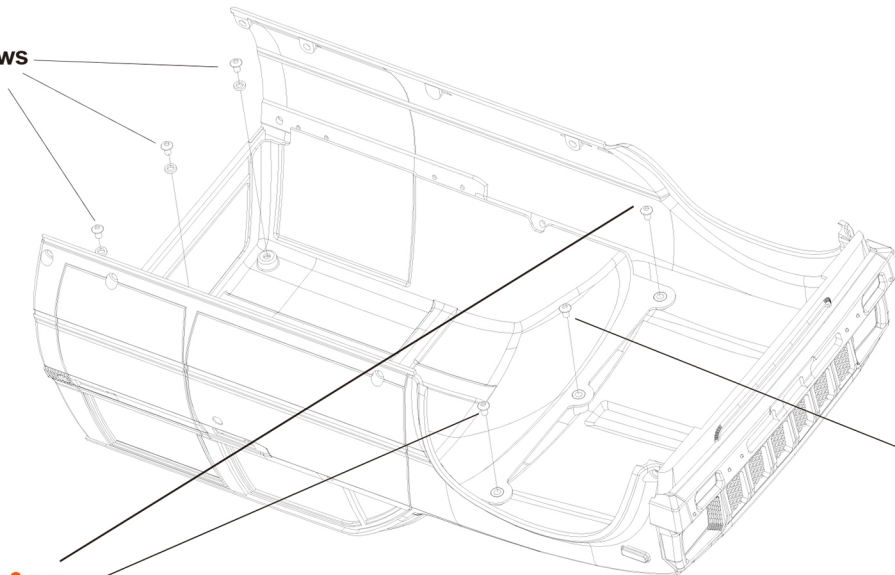


Instant Glue/Plastic Cement



●21 Windows and instrument panel installation

Bottom Head Cap
Self Tapping Screws
M3x4mm
Spacer **M3x1mm**



Bottom Head Cap
Self Tapping Screws
M3x8mm

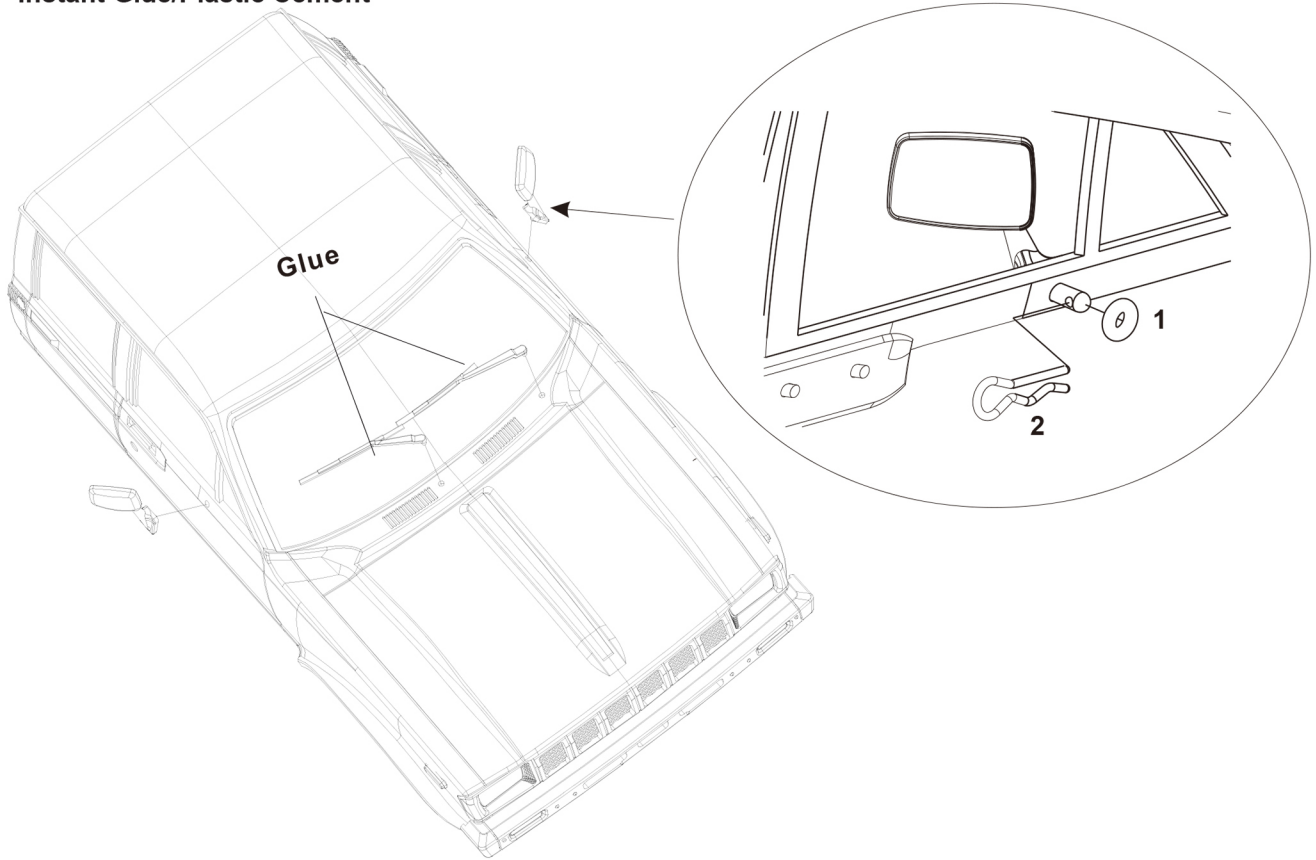
BHCS **M3x6mm**



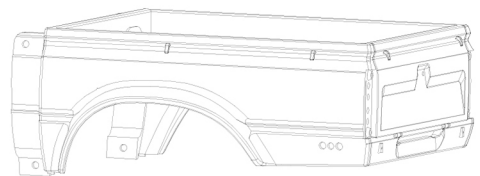
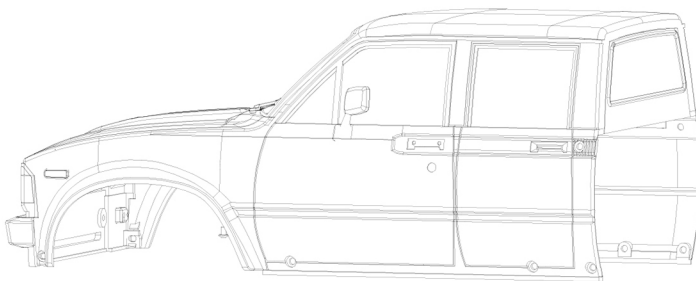
22 Glue required

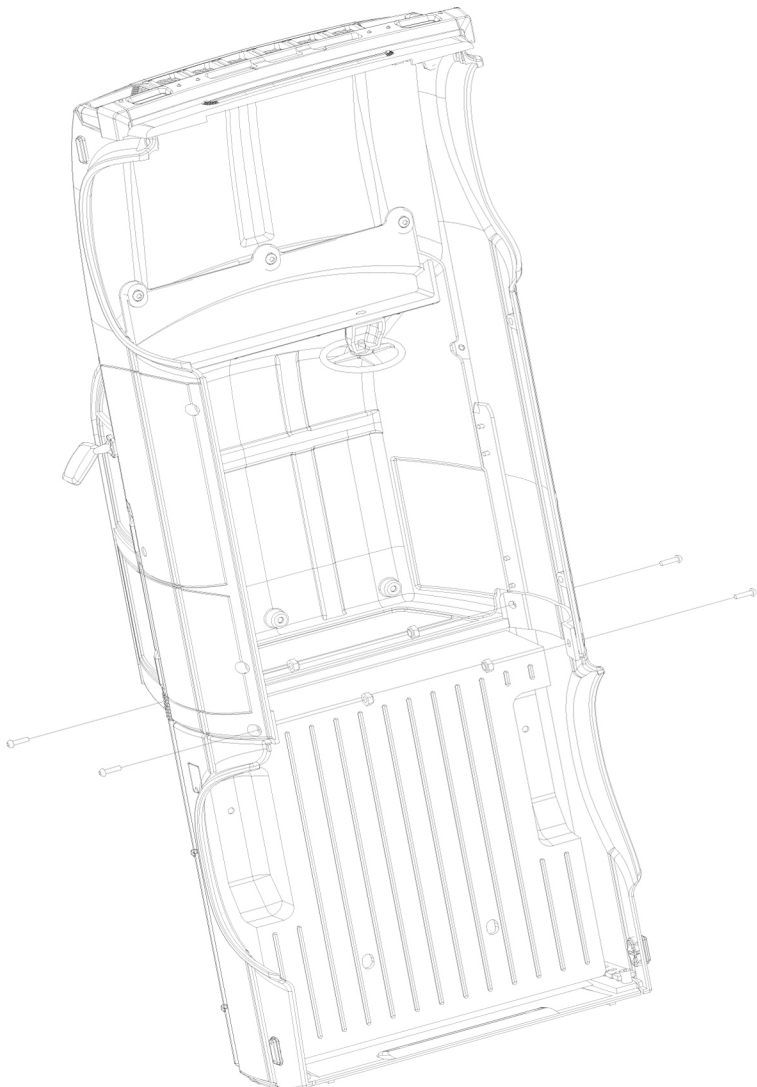


Instant Glue/Plastic Cement



23



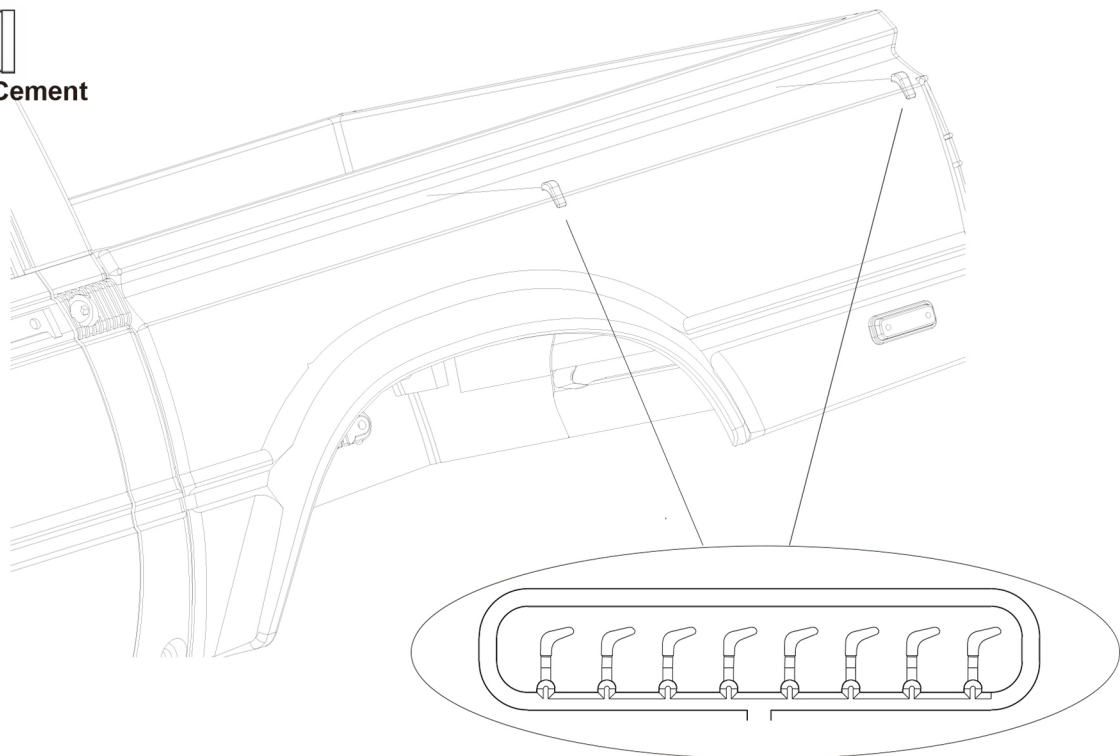


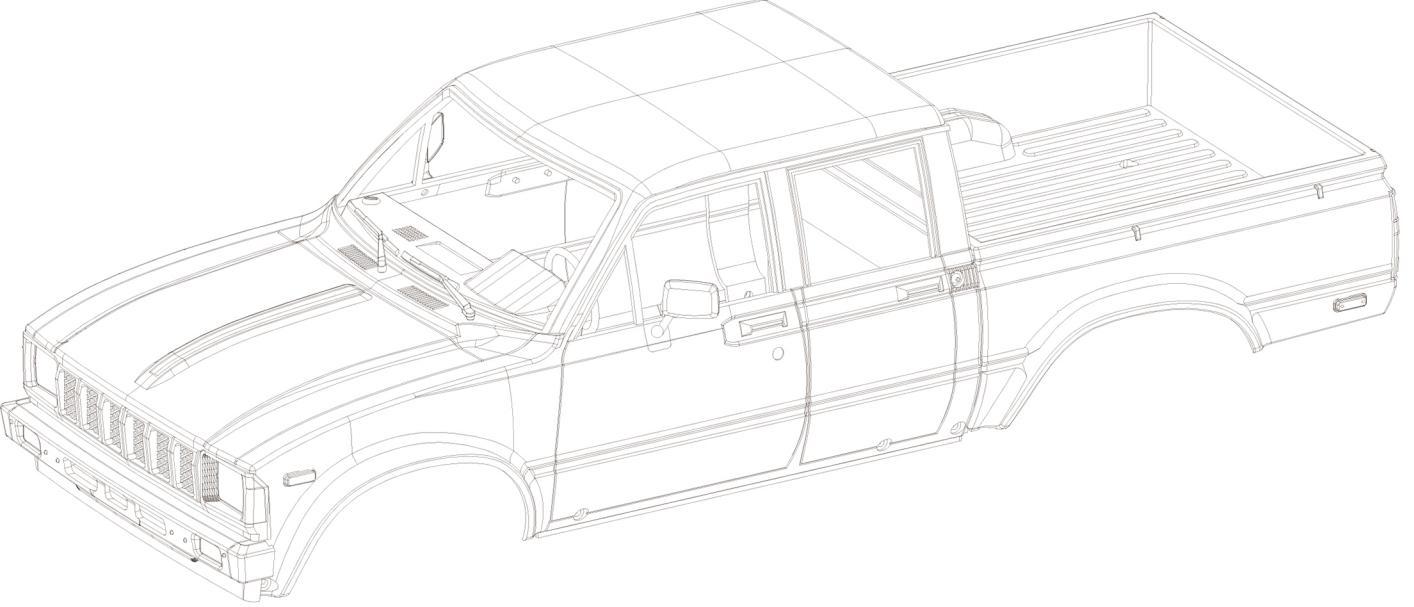
BHCS M3x10mm
Locknut M3

●25 Glue required



Instant Glue/Plastic Cement





Mojave II LWB

Included Parts

Z-B0120	RC4WD Mojave II 4 Door Front Cab (Primer Gray)
Z-B0122	RC4WD Mojave II 4 Door Rear Bed (Primer Gray)
Z-B0074	RC4WD Mojave II Cab Back Panels and Grill Parts Tree (Primer Gray)
Z-B0076	RC4WD Mojave II Chrome Bumper and Parts Tree
Z-B0078	RC4WD Mojave II Clear Parts Tree
Z-B0080	RC4WD Mojave II Dash and Wiper Parts Tree (Black)
Z-B0082	RC4WD Mojave II Rubber Mirror
Z-B0121	RC4WD Mojave II 4 Door Clear Lexan Windshield
Z-S1535	RC4WD Mojave II Body Hardware KIT

Optional Parts

Z-S1192	Front Inner Fender Set for Mojave / Hilux Body
Z-B0039	Mojave Body Bumper and Parts Tree (Black)
Z-B0040	Mojave Mirror and Wiper Parts Tree (Chrome)
Z-S1129	RC4WD 1/10 327 Emblem Set
Z-S1130	RC4WD 1/10 4 Wheel Drive Emblem Set
Z-S1136	RC4WD 1/10 454 Emblem Set
Z-S1138	RC4WD 1/10 Super Charged Emblem Set
Z-S1132	RC4WD 1/10 Turbo Diesel Emblem Set
VVV-C0103	Rear Detailed Lenses for Tamiya Hilux, Bruiser and RC4WD Mojave
VVV-C0055	Rear View Mirror for Hilux, Bruiser and Mojave
VVV-C0105	Rear Window Guard for Hilux & Bruiser & Mojave

RC4WD

618 Blossom Hill Rd. Ste 201

San Jose, CA 95123

Web: www.RC4WD.com - Email: support@rc4wd.com

