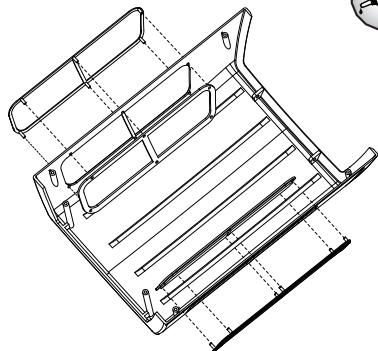


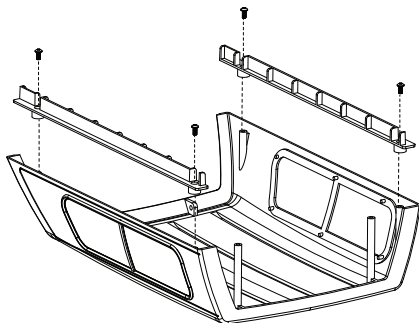


RC4WD Tightfit Truck Topper for the Mojave and Hilux Bodies

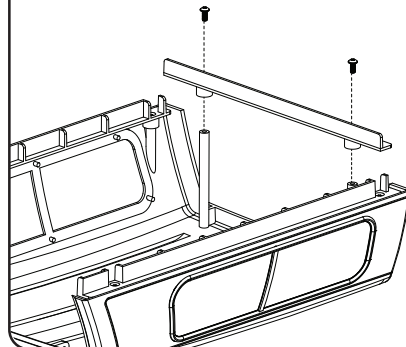
1 Glue is required



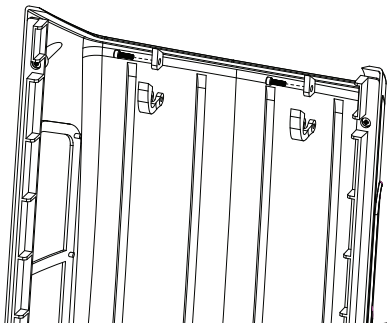
2 M2.3 x 5mm self tapping screws



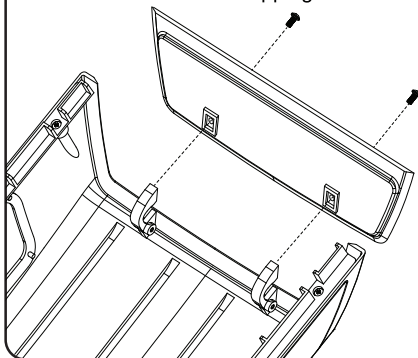
3 M2.3 x 5mm self tapping screws



4 M2 x 6mm self tapping screws



5 M2.5 x 8mm self tapping screws



6 Glue to the rear body

