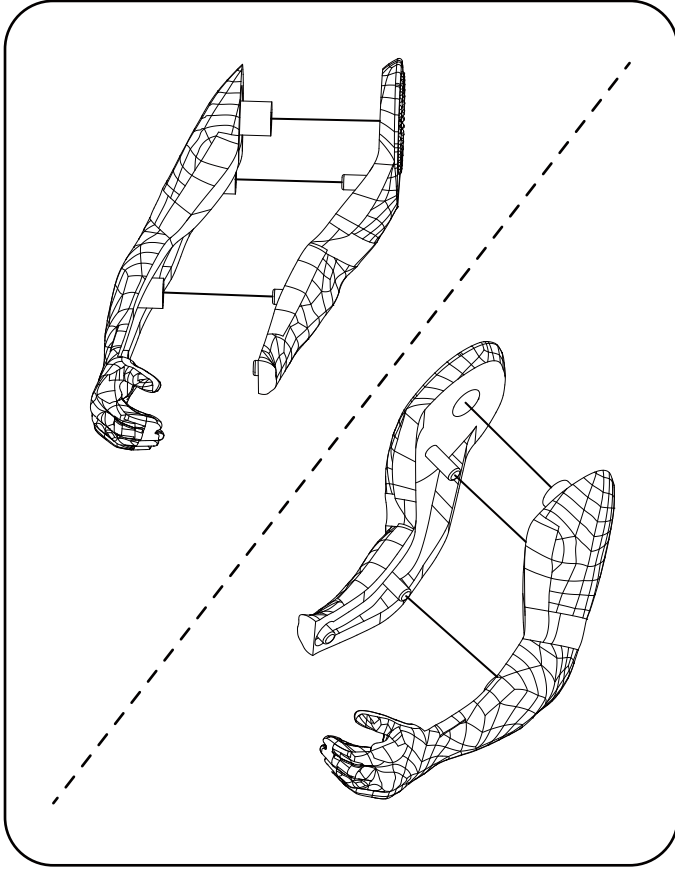


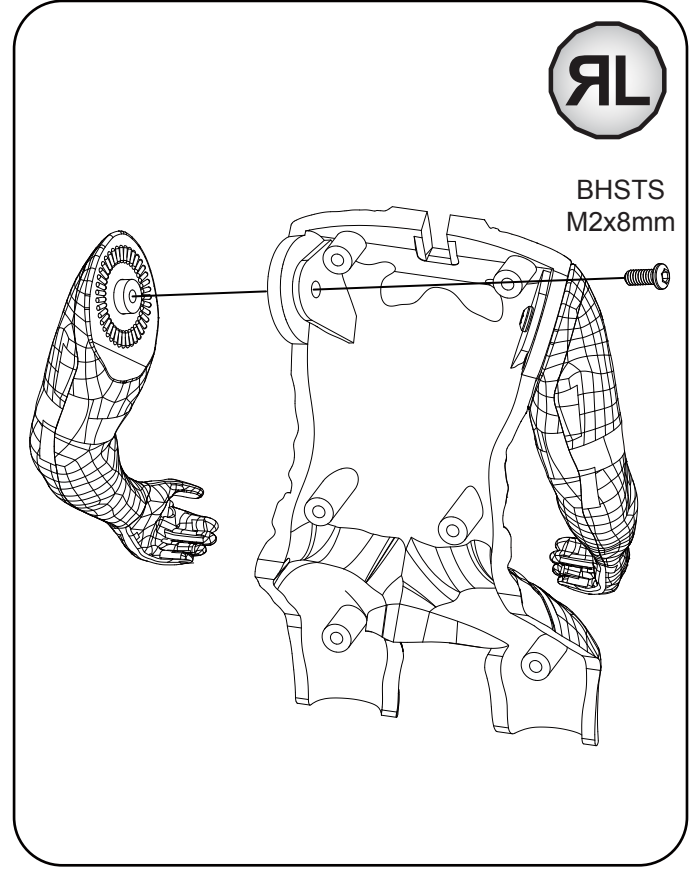


RC4WD Driver Figure Molded Parts Tree

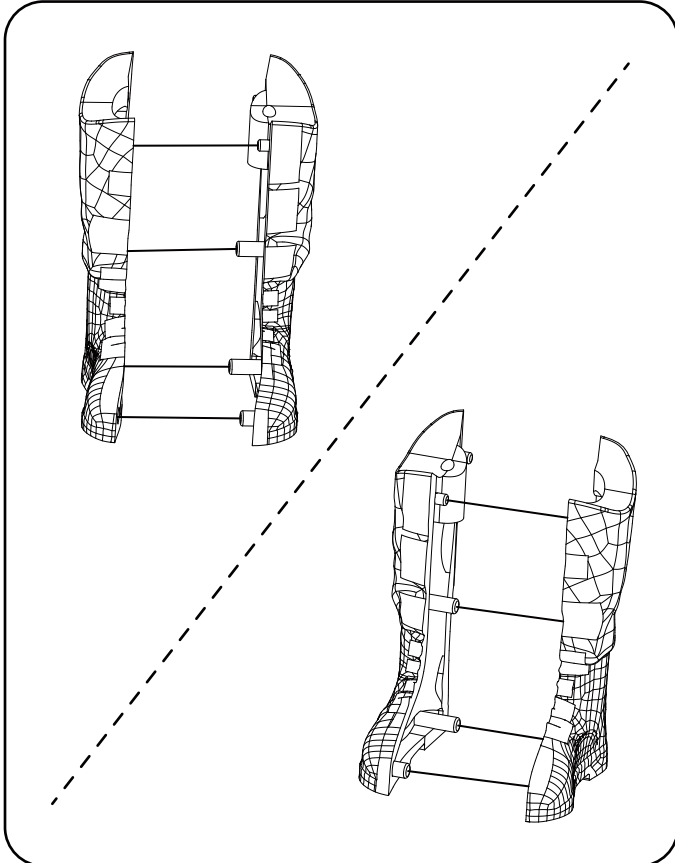
Step 1.



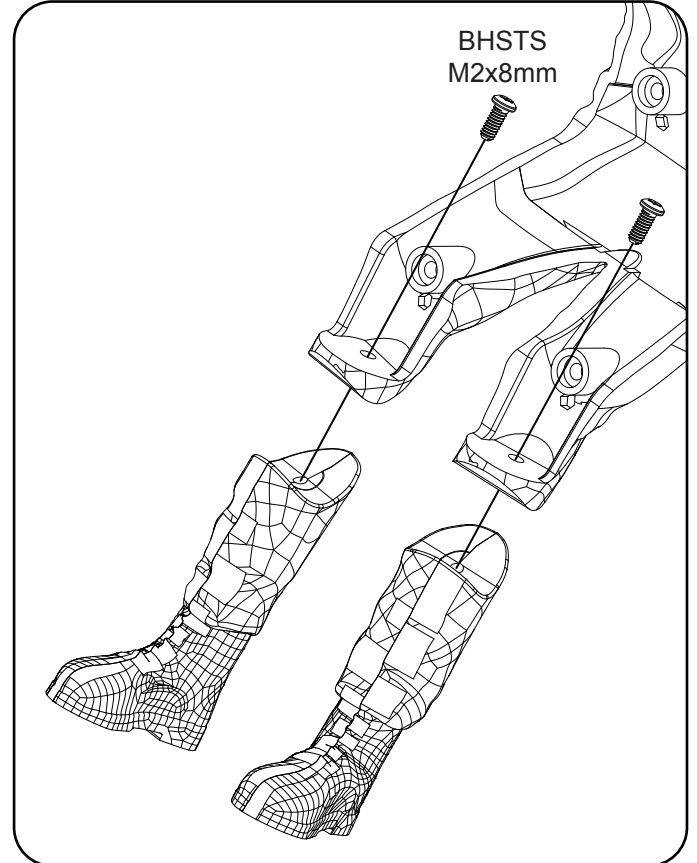
Step 2.



Step 3.



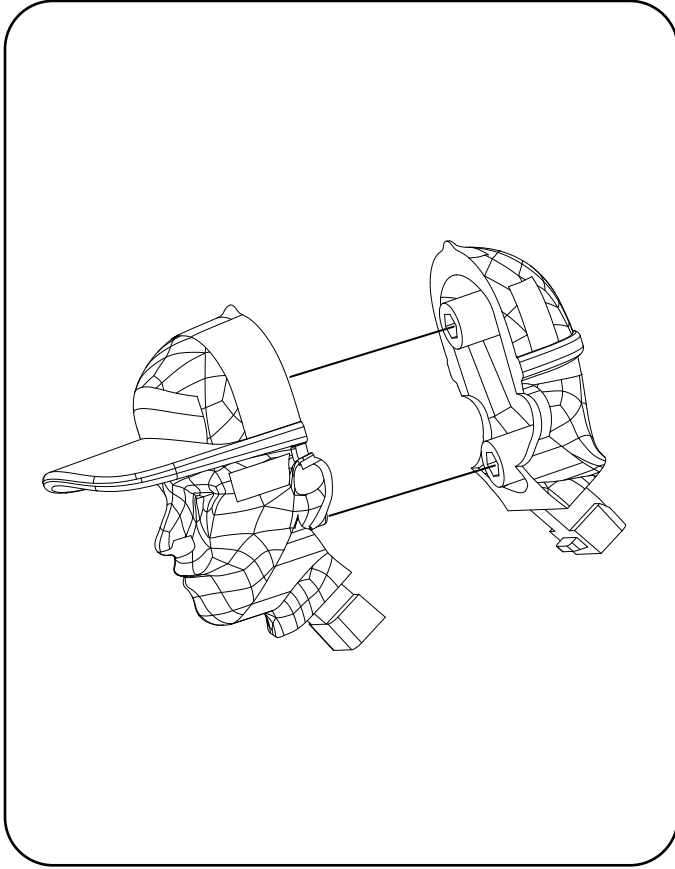
Step 4.



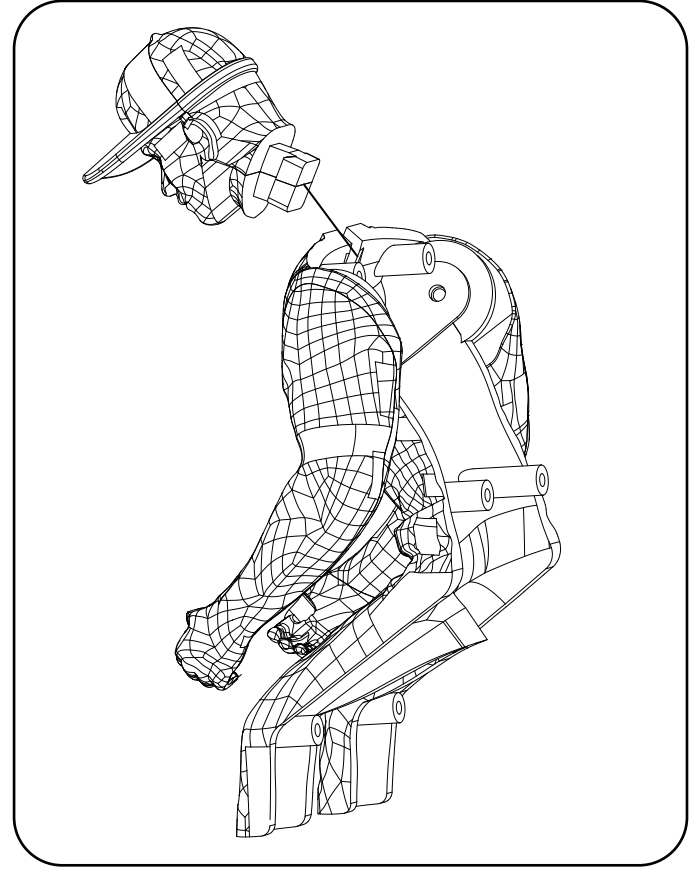


RC4WD Driver Figure Molded Parts Tree

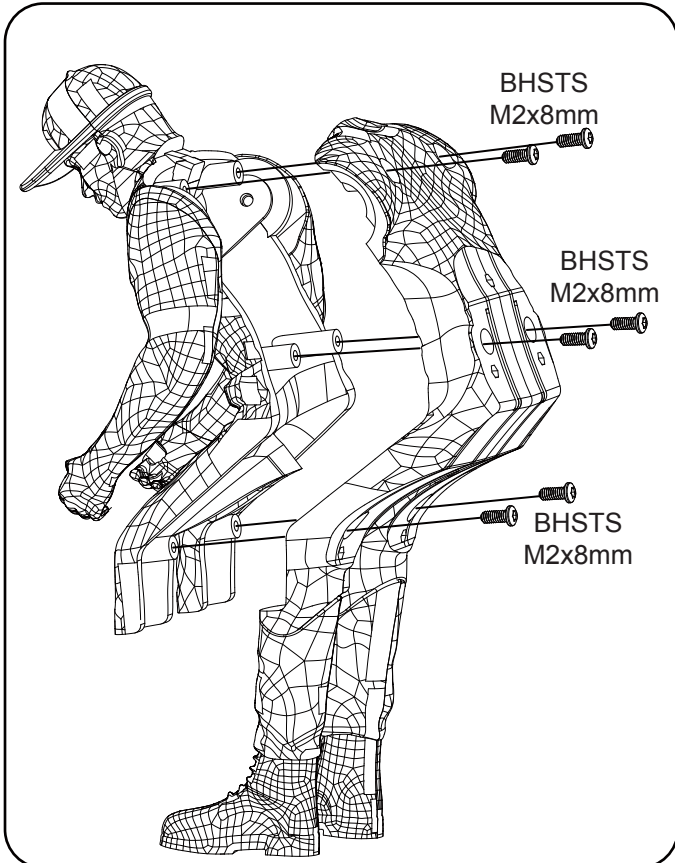
Step 5.



Step 6.



Step 7.



Step 8.

