

JDM-121 1/14 Norsu Hydraulic RC Forklift RTR (Red)

Card board and metal turnover basket are gifts and not after-sale



Scale: 1:14

Size: length 311.5, width 115.6, height 210, unit MM

Weight: 3.64 KG, plus controller 4.2KG

Lifting force: 1.5 kg

Tire rubber hardness: 45 degrees

Controller: FS-I6S, with 6-way receiver

Note: The controller uses 4 AA batteries

Main vehicle battery: 7.4V 2S lithium battery (battery connector is XT60)

Battery size: Length 83MM width 40MM height 16MM (battery and power display need to be purchased separately)

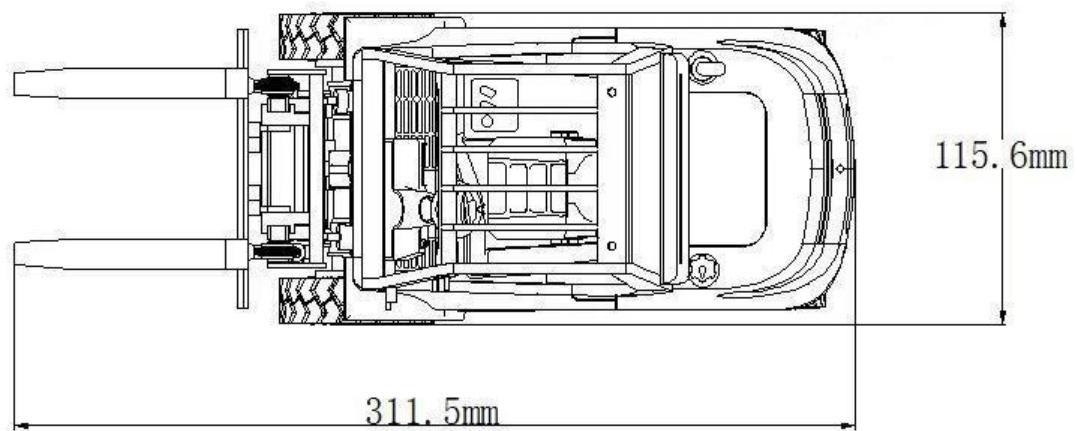
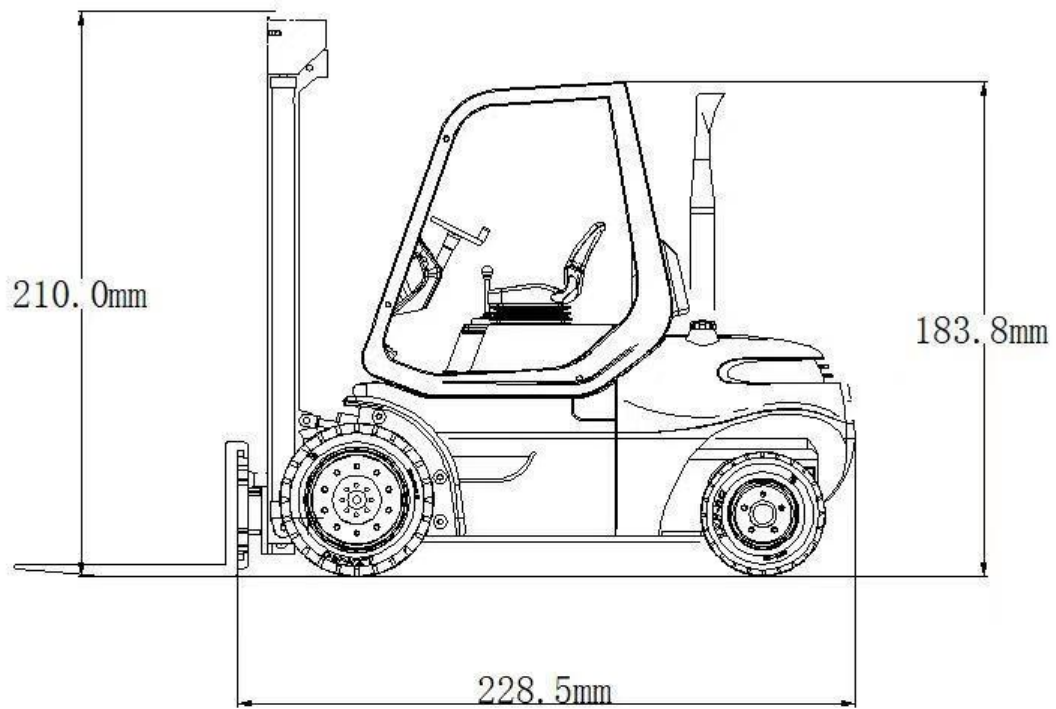
Steps:

1. Before turning on the controller, check that the position of each switch is up and the joystick returns to the middle position.
2. Turn on the controller switch. (the switch should be in the up position)
3. Connect the main vehicle power supply, and operate after confirming the signal sound. (about 5S)

note:

1. It is very likely that the ESC will enter the setting mode if it is operated in advance, which will cause the ESC to not work properly.
2. Controller battery installation: Pay attention to the positive and negative terminals of the battery during installation.
3. Before the main vehicle battery is installed: Measure the voltage first, the voltage cannot be lower than 7.4V.





Parts installation



Refueling steps: you can use 35 or 46 hydraulic oil to add 35 ml,

Using 2.0 sleeve







