

# QUICKSTART GUIDE

GUÍA DE INICIO RÁPIDO

GUIDE DE DÉMARRAGE RAPIDE

SCHNELLSTARTANLEITUNG

## 1/14 Scale DXR2 Hydraulic Earth Dozer



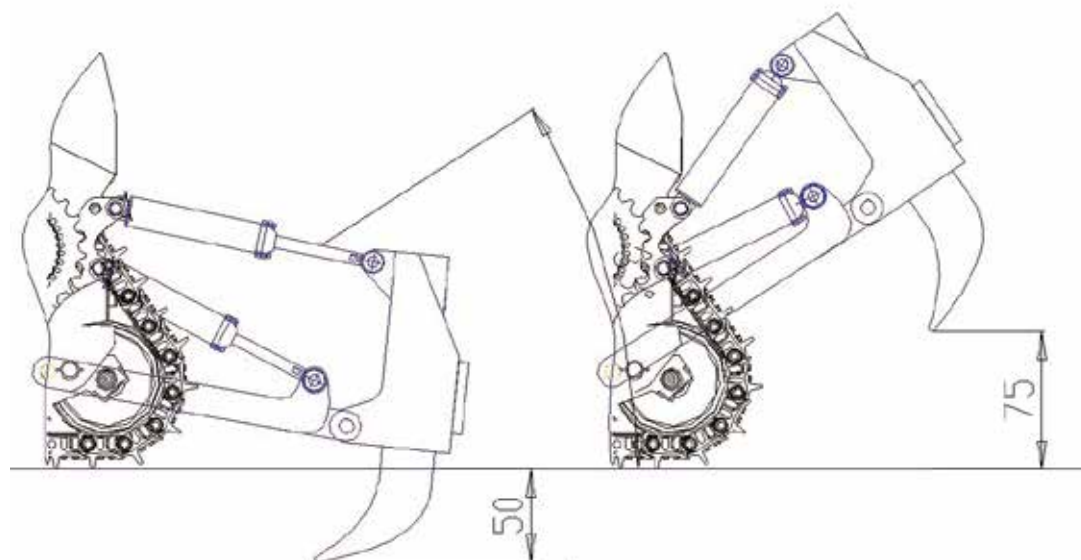
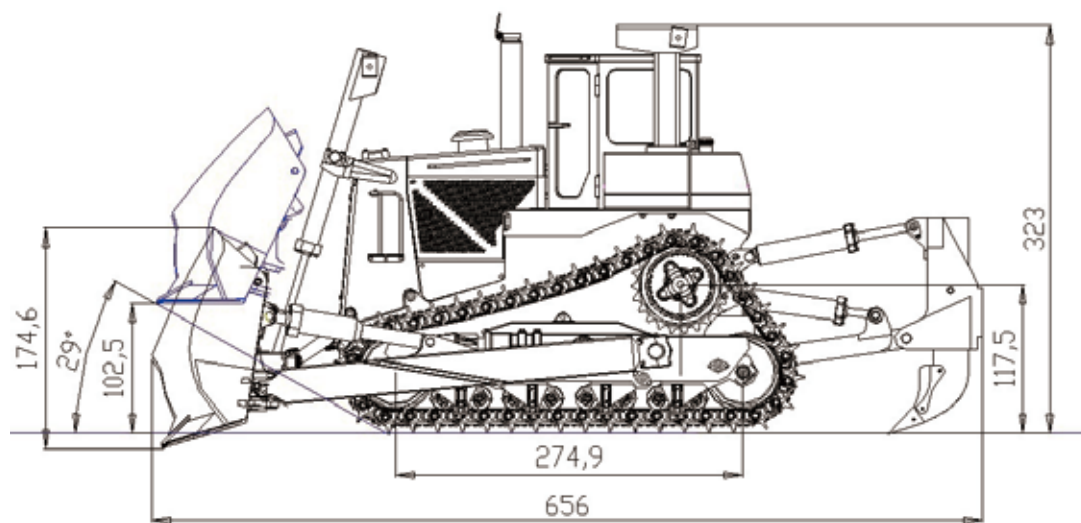
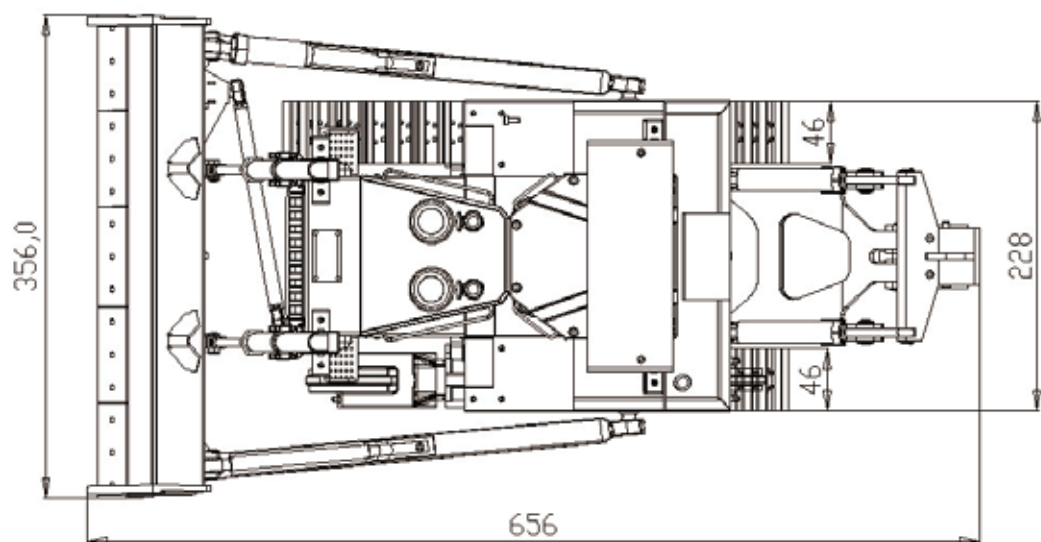
### VV-JD00015

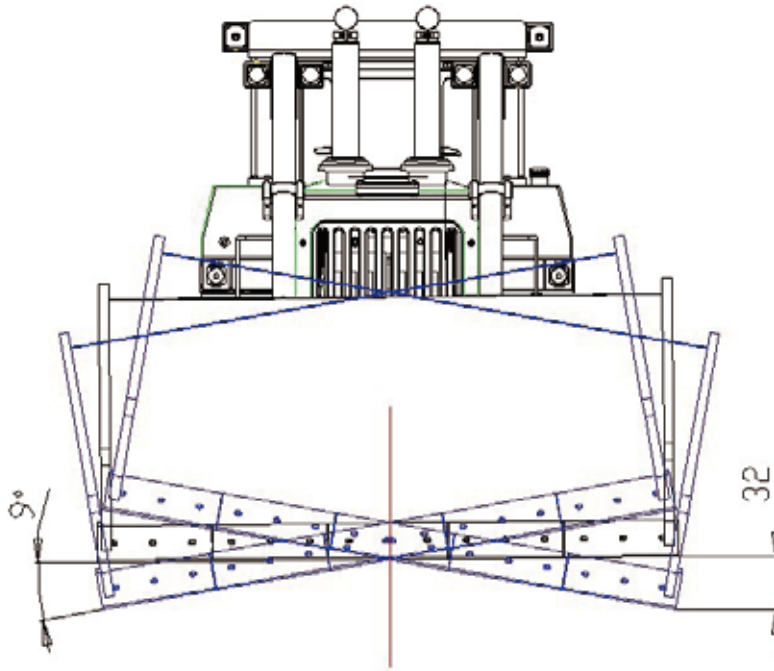
VISIT [RC4WD.COM](http://RC4WD.COM) FOR MORE DETAILED INSTRUCTIONS

VISITA [RC4WD.COM](http://RC4WD.COM) PARA MÁS INSTRUCCIONES DETALLADAS

CONSULTEZ [RC4WD.COM](http://RC4WD.COM) POUR DES INSTRUCTIONS PLUS DÉTAILLÉES

BESUCHEN SIE [RC4WD.COM](http://RC4WD.COM) FÜR MEHR DETAILLIERTE ANWEISUNGEN





Important notes before operating your unit. Please read carefully.

**Power sequence:**

- A. Please turn on the remote control.
- B. Directly connect main supply.
- C. Wait about five seconds, you will hear a confirmation tone before operation.

- 1. Operation weight: 26 KG.
- 2. Total weight: Roughly 33.5 KG with shipping box.
- 3. Materials: The main body is made from zinc alloy, aluminum, 45 steel parts for drive, and chrome steel hydraulic pump
- 4. Length: 685 MM.
- 5. Width: 351 MM (maximum width at bucket).
- 6. Width at track including edge: 228 MM.
- 7. Height: 323 MM.
- 8. Remote control: Radiolink AT9 2.4G remote control. Requires 8 AA batteries in radio, or 3S lithium battery (Make sure the plug turns on and cathodes correctly before connection).
- 9. Voltage: 12V, using 3S lithium battery (no larger than length of 140 MM, width of 40 MM, and height of 45 MM).
- 10. Sound System: No sound system is included.
- 11. Hydraulic Pump: Flow 0.8L / MIN, Rated pressure 2.5 MPA, Maximum System pressure 5 MPA.
- 12. Reversing Valve: Reversing valve with oil return function.
- 13. Lighting system: No lighting unit included (purchase separately).
- 14. Control System: On next page.



