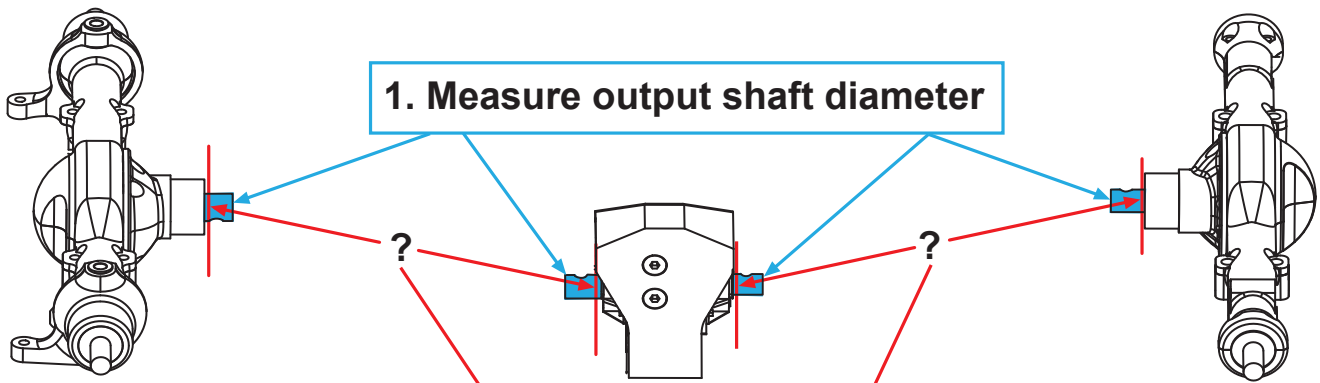
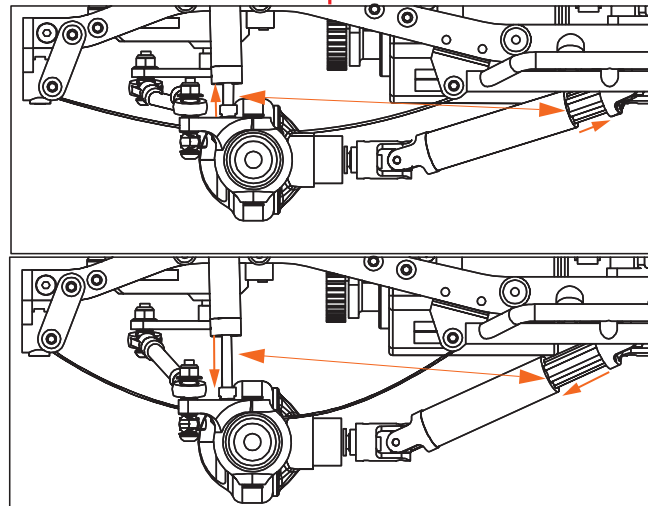


# How to measure for proper Driveshaft length and compatibility.



2. Measure distance shown to calculate the proper length driveshaft for your vehicle under full compression and full "Droop" of your suspension.



## How to insure for proper Driveline phasing.

Premature wear or binding can result if the u-joints are not phased properly. Sometimes they can create a "hard spot" in the driveline, making the vehicle feel like it is hopping or "lugging" under power.

### CORRECT ALIGNMENT



### INCORRECT ALIGNMENT

